



US00D716227S

(12) **United States Design Patent**  
**Lau et al.**

(10) **Patent No.:** **US D716,227 S**

(45) **Date of Patent:** **\*\* Oct. 28, 2014**

- (54) **ELECTRIC MOTOR**
- (71) Applicant: **Johnson Electric S.A.**, Murten (CH)
- (72) Inventors: **James Ching Sik Lau**, Hong Kong (CN); **Duncan Yiu Lung Wong**, Hong Kong (CN); **Chun Kit Cheung**, Hong Kong (CN); **Kar Wai Lam**, Hong Kong (CN); **Cai Yong Zhang**, Shenzhen (CN)
- (73) Assignee: **Johnson Electric S.A.**, Murten (CH)
- (\*\*) Term: **14 Years**
- (21) Appl. No.: **29/466,865**
- (22) Filed: **Sep. 12, 2013**
- (51) **LOC (10) Cl.** ..... **13-01**
- (52) **U.S. Cl.**  
USPC ..... **D13/112**
- (58) **Field of Classification Search**  
USPC ..... D13/112, 113, 114, 122, 199; D15/3, 5, D15/199; 74/606 R, 609; 310/10, 40 R, 42, 310/51, 52, 58, 64, 71, 80, 83, 85, 88, 89, 310/91, 109, 236, 239, 240, 241, 242, 254; 318/245, 255; 322/16, 39; 361/688, 361/704, 709; 29/596-598  
See application file for complete search history.

6,700,237	B1 *	3/2004	Yang	.....	310/58
D511,138	S *	11/2005	Kwan	.....	D13/112
D579,869	S *	11/2008	Lau et al.	.....	D13/112
D603,793	S *	11/2009	Lindberg	.....	D13/112
D611,410	S *	3/2010	Sturm et al.	.....	D13/112
D642,200	S *	7/2011	Jiang et al.	.....	D15/5

\* cited by examiner

*Primary Examiner* — Derrick Holland  
(74) *Attorney, Agent, or Firm* — Muncy, Geissler, Olds & Lowe, P.C.

(57) **CLAIM**  
The ornamental design for an electric motor, as shown and described.

**DESCRIPTION**

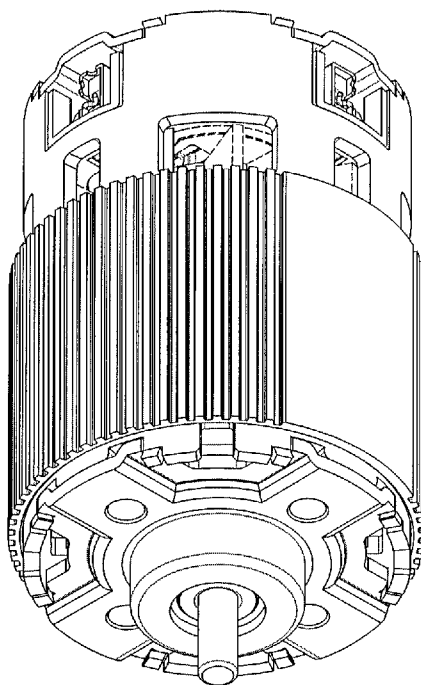
FIG. 1 is a front elevational view of an electric motor showing our new design;  
 FIG. 2 is a rear elevational view thereof;  
 FIG. 3 is a top plan view thereof;  
 FIG. 4 is a bottom plan view thereof;  
 FIG. 5 is a right side elevational view thereof;  
 FIG. 6 is a left side elevational view thereof;  
 FIG. 7 is a top perspective view thereof; and,  
 FIG. 8 is a bottom perspective view thereof.

The broken lines shown represent unclaimed subject matter and form no part of the claimed design.

Portions of the electric motor have been shown broken in indicate indeterminate length. The indeterminate portion of the article forms no part of the claim design. Patentability is based only on those portions of the electric motor that are shown in solid lines.

- (56) **References Cited**  
U.S. PATENT DOCUMENTS
- 4,244,098 A \* 1/1981 Barcus ..... 29/596
- D325,560 S \* 4/1992 Baines ..... D13/112
- 5,311,090 A \* 5/1994 Ferlatte ..... 310/88

**1 Claim, 8 Drawing Sheets**



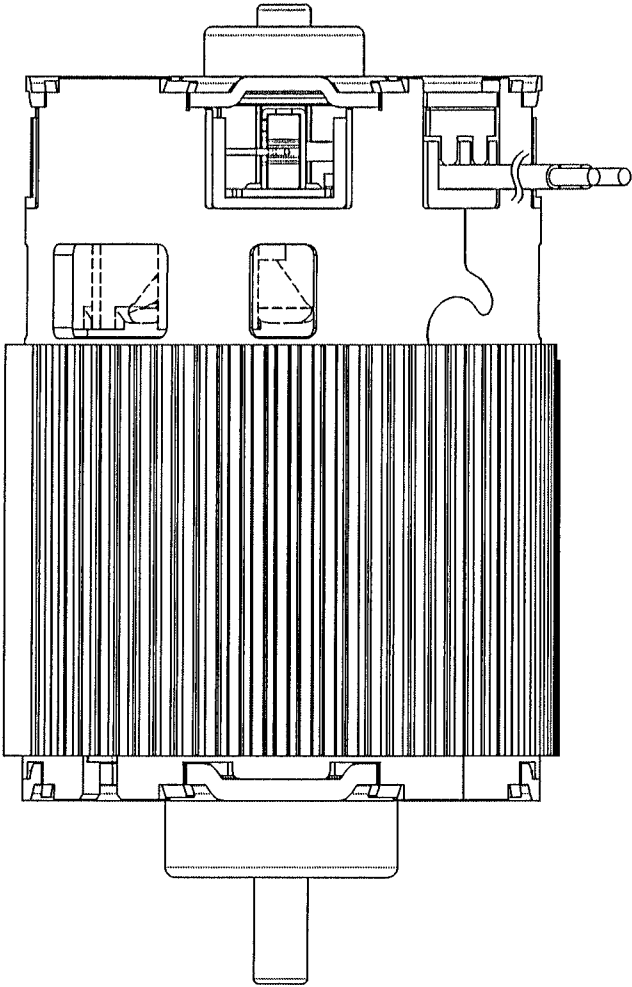


FIG. 1

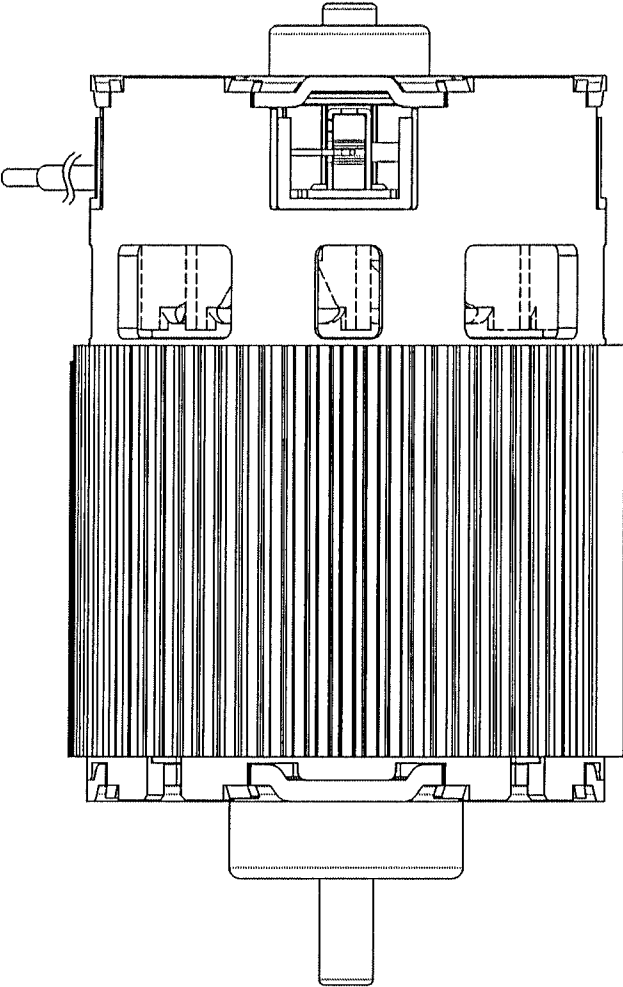


FIG. 2

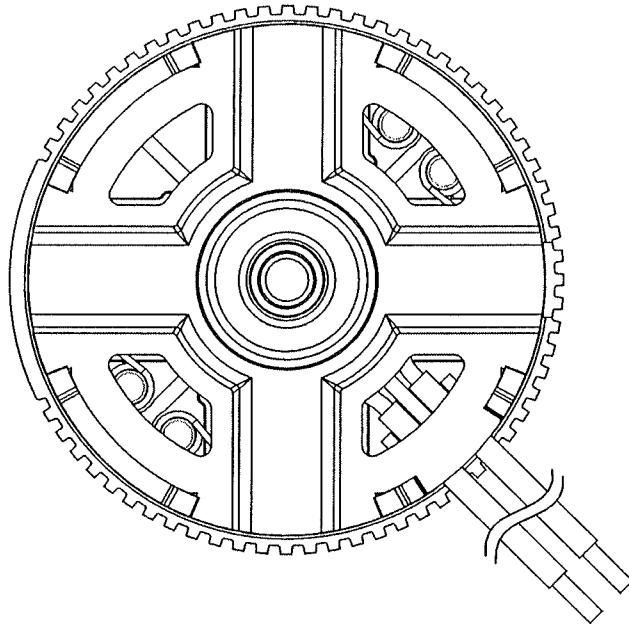


FIG. 3

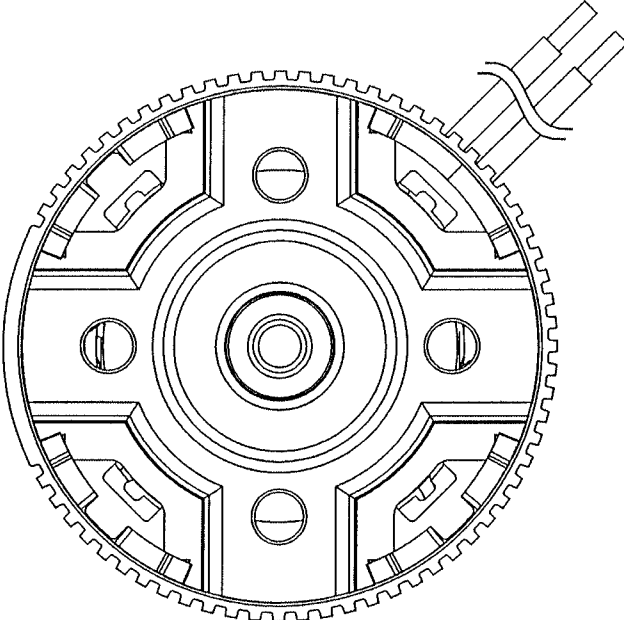


FIG. 4

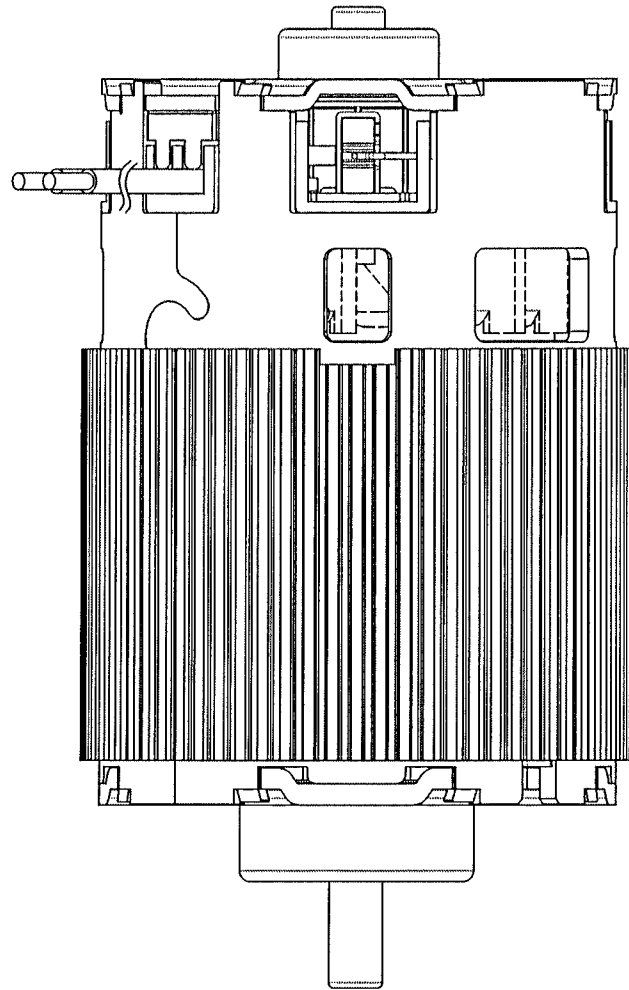


FIG. 5

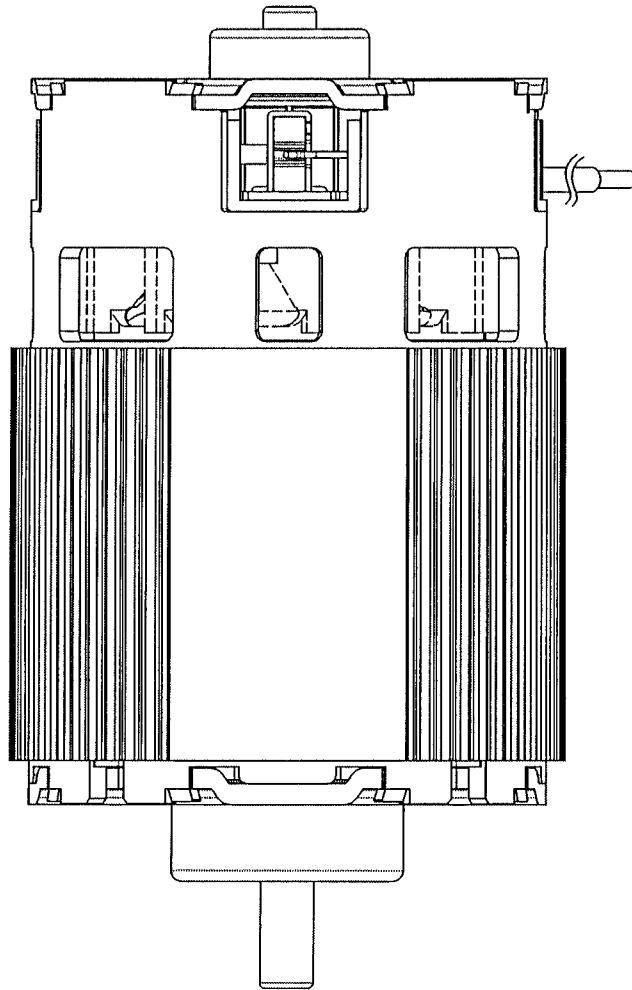


FIG. 6

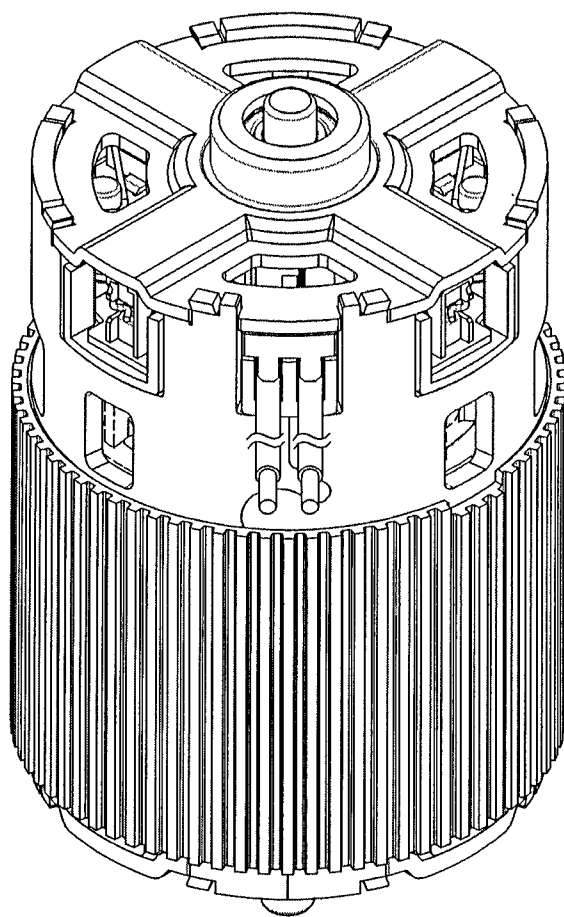


FIG. 7

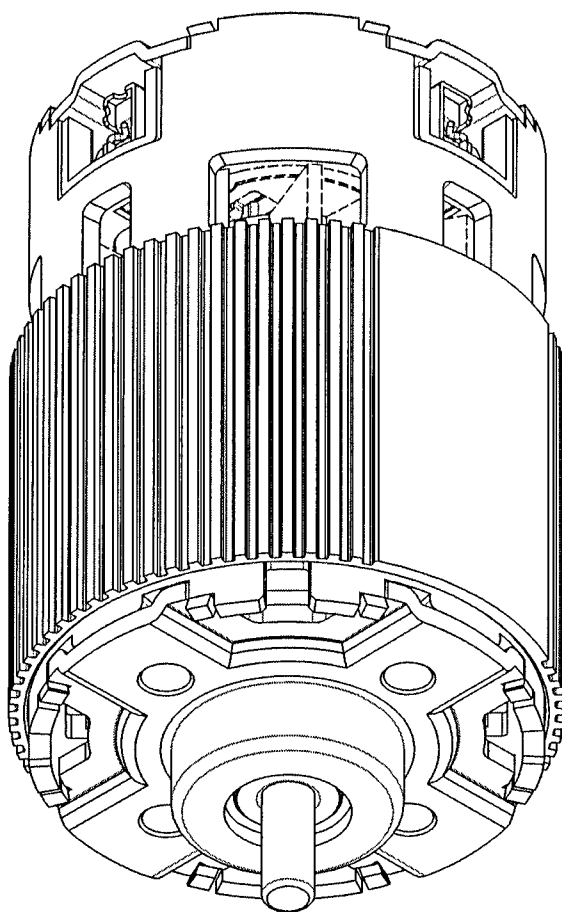


FIG. 8