



US00D723618S

(12) **United States Design Patent**
Rowe et al.

(10) **Patent No.:** **US D723,618 S**

(45) **Date of Patent:** **** Mar. 3, 2015**

(54) **FILE BOX**

(71) Applicants: **Michael D. Rowe**, Medway, OH (US);
Scot B. Herbst, Santa Cruz, CA (US)

(72) Inventors: **Michael D. Rowe**, Medway, OH (US);
Scot B. Herbst, Santa Cruz, CA (US)

(73) Assignee: **ACCO Brands Corporation**, Lake
Zurich, IL (US)

(**) Term: **14 Years**

(21) Appl. No.: **29/471,678**

(22) Filed: **Nov. 4, 2013**

(51) **LOC (10) CI.** **19-02**

(52) **U.S. CI.**

USPC **D19/86**

(58) **Field of Classification Search**

USPC D3/206, 272, 273, 905; D6/512-515,
D6/517, 632, 633; D9/932, 933;
D19/75-87, 90, 91, 99, 100; 206/214,
206/215, 425; 211/45, 50

See application file for complete search history.

(56) **References Cited**

U.S. PATENT DOCUMENTS

213,852 A	4/1879	Tapley	
533,053 A	1/1895	Cooke, Jr.	
1,420,000 A	* 6/1922	Wagner	229/146
1,571,003 A	* 1/1926	Genaille	131/239
1,586,673 A	* 6/1926	Haigh	229/125.38
1,803,736 A	* 5/1931	Sinclair	206/449
2,426,856 A	* 9/1947	Berg	229/122
2,446,896 A	* 8/1948	Wellman	206/214
3,215,332 A	* 11/1965	Bess	229/240
D222,402 S	* 10/1971	Burnhill	D9/737
3,659,703 A	5/1972	Oliver	
4,538,730 A	9/1985	Wu	

4,609,104 A	*	9/1986	Kasper et al.	206/524.2
D291,024 S	*	7/1987	Kikuchi	D6/634
5,186,499 A		2/1993	Mason	
D351,080 S	*	10/1994	Sykes et al.	D6/629
D383,064 S	*	9/1997	Tsukikawa	D9/432
D383,641 S	*	9/1997	Maton	D7/354
D424,434 S	*	5/2000	Hoffman	D9/432
D514,810 S	*	2/2006	Armato	D3/294
8,746,444 B2	*	6/2014	Dehlin	206/1.5
2005/0205449 A1		9/2005	Frankeny	
2008/0078818 A1		4/2008	Botkin	

* cited by examiner

Primary Examiner — Elizabeth Albert

(74) *Attorney, Agent, or Firm* — Thompson Hine L.L.P.

(57) **CLAIM**

The ornamental design for a file box, as shown and described.

DESCRIPTION

FIG. 1 is a top perspective view of the file box, shown in a closed configuration;

FIG. 2 is a top view of FIG. 1;

FIG. 3 is a bottom view of FIG. 1;

FIG. 4 is a right side view of FIG. 1; the left side view being a mirror image thereof;

FIG. 5 is a front view of FIG. 1;

FIG. 6 is a back view of FIG. 1;

FIG. 7 is an upper perspective view of FIG. 1, shown in an open configuration;

FIG. 8 is a front view of FIG. 7;

FIG. 9 is a back view of FIG. 7;

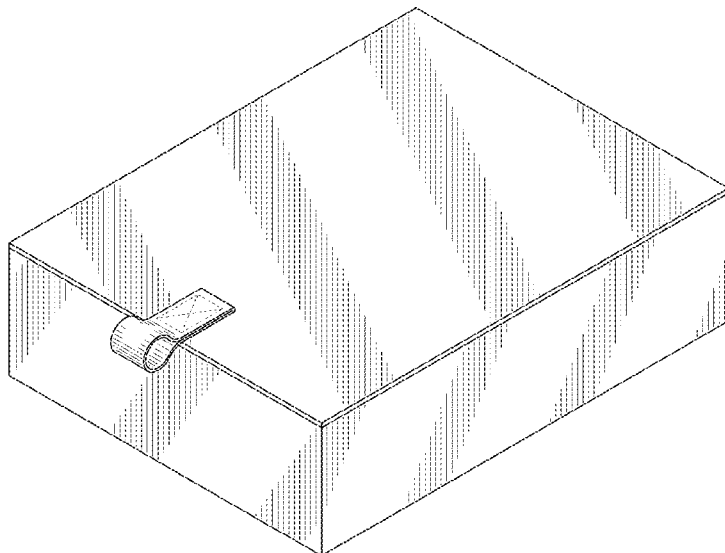
FIG. 10 is a right side view of FIG. 7, with the left side view being a mirror image thereof;

FIG. 11 is a top view of FIG. 7; and,

FIG. 12 is a bottom view of FIG. 7.

The broken lines in the drawings are included for the purpose of showing features that form no part of the claimed design.

1 Claim, 9 Drawing Sheets



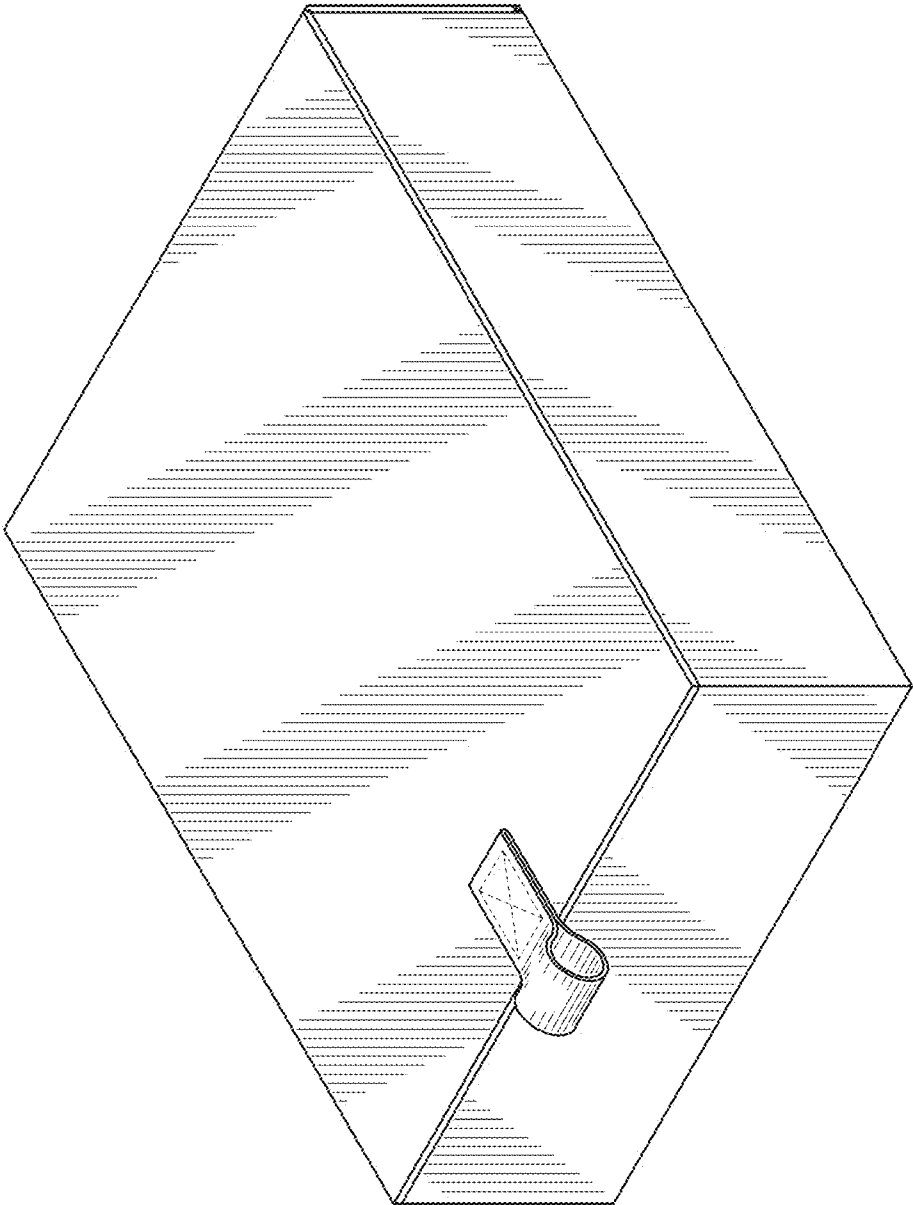


FIG. 1

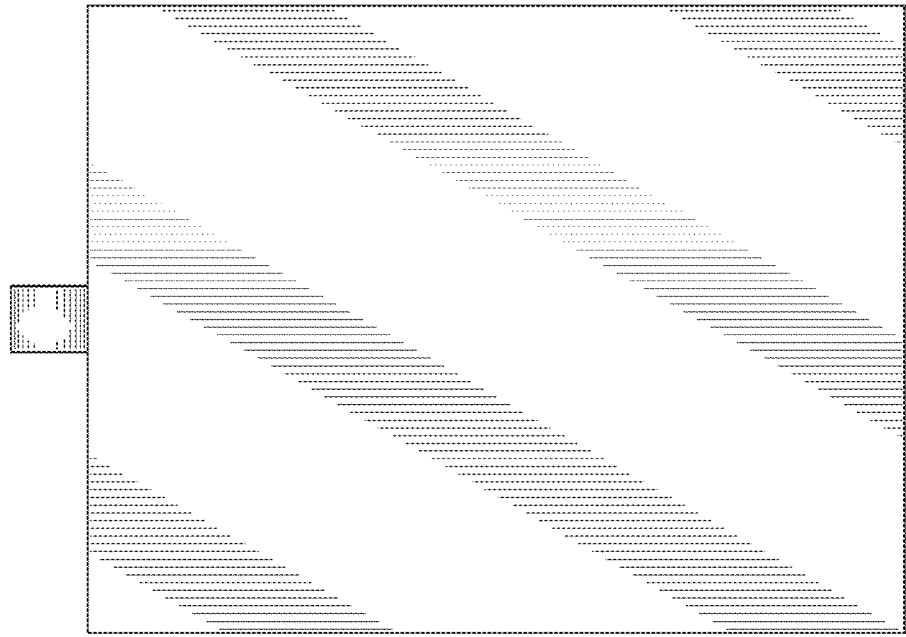


FIG. 3

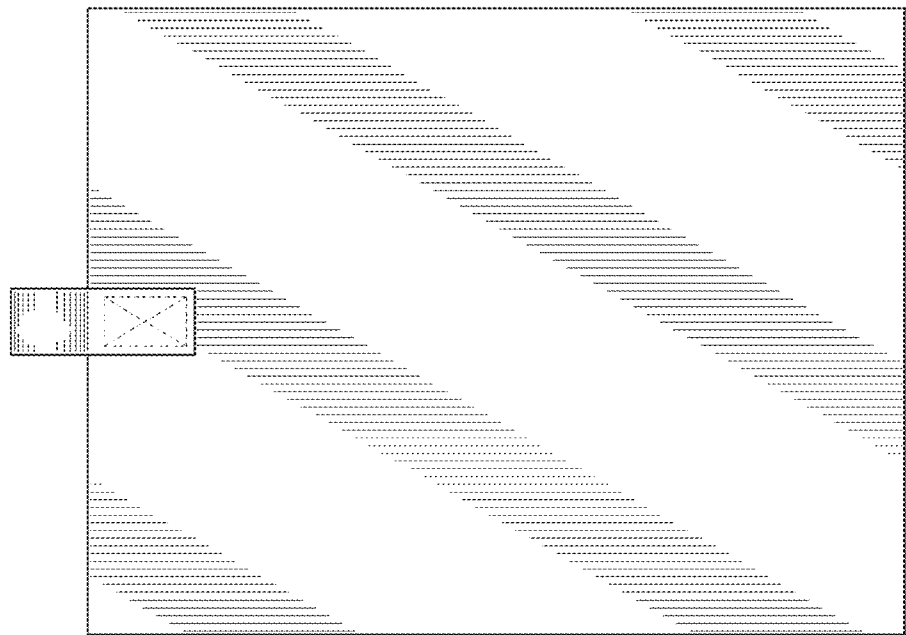


FIG. 2

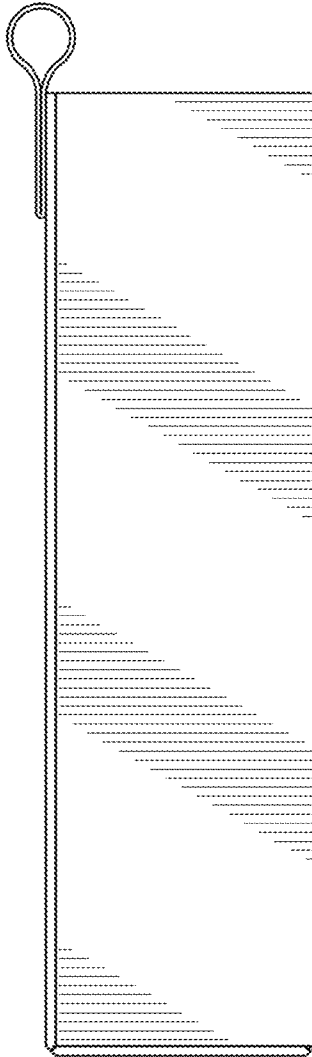


FIG. 4

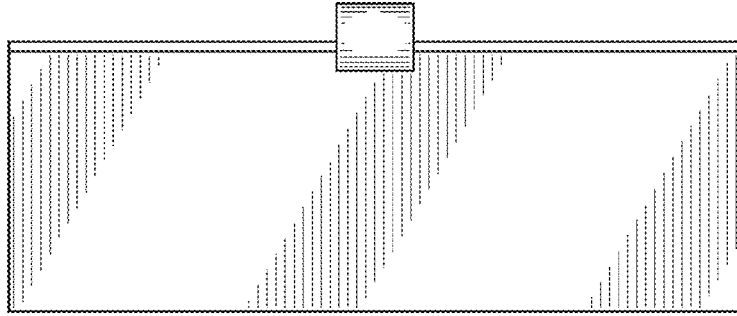


FIG. 5

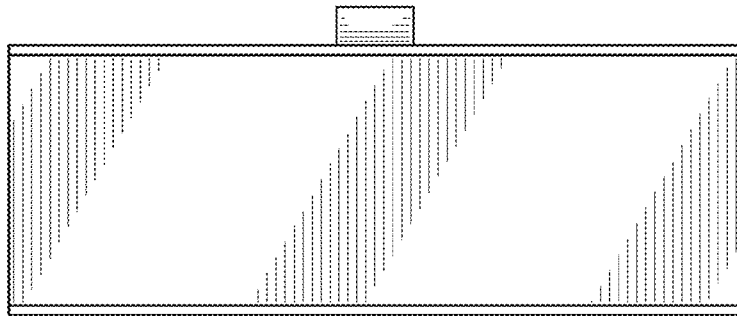


FIG. 6

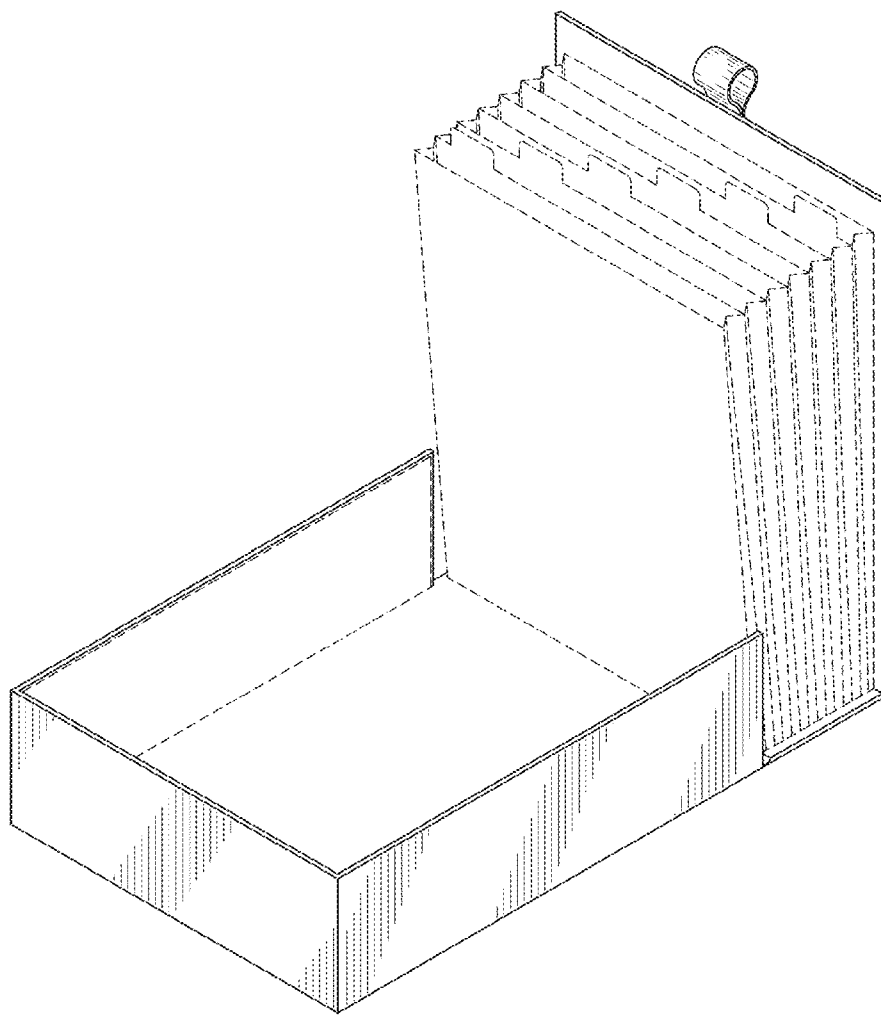


FIG. 7

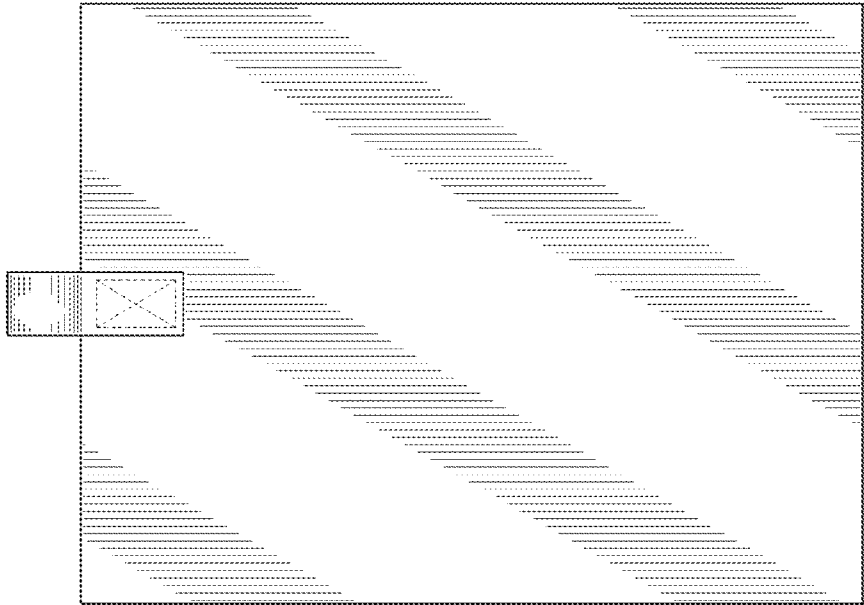


FIG. 9

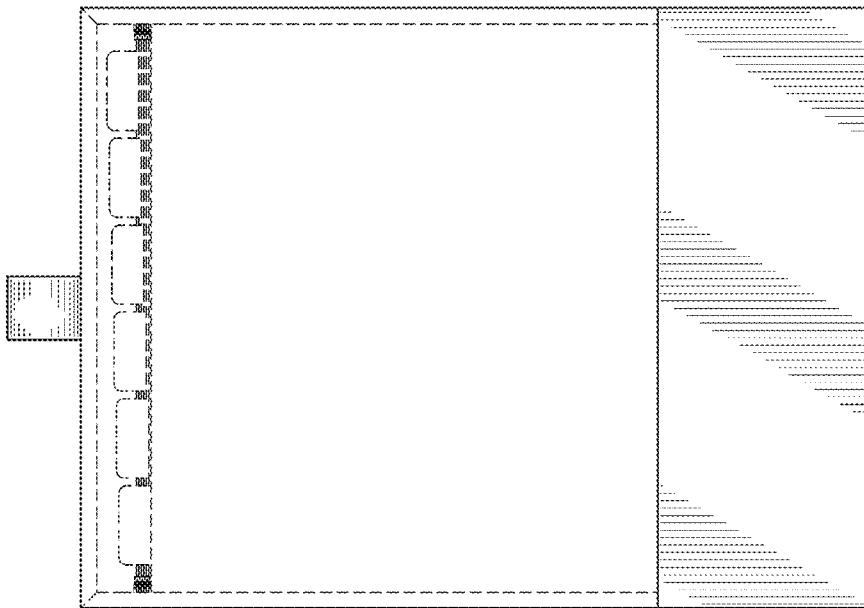


FIG. 8

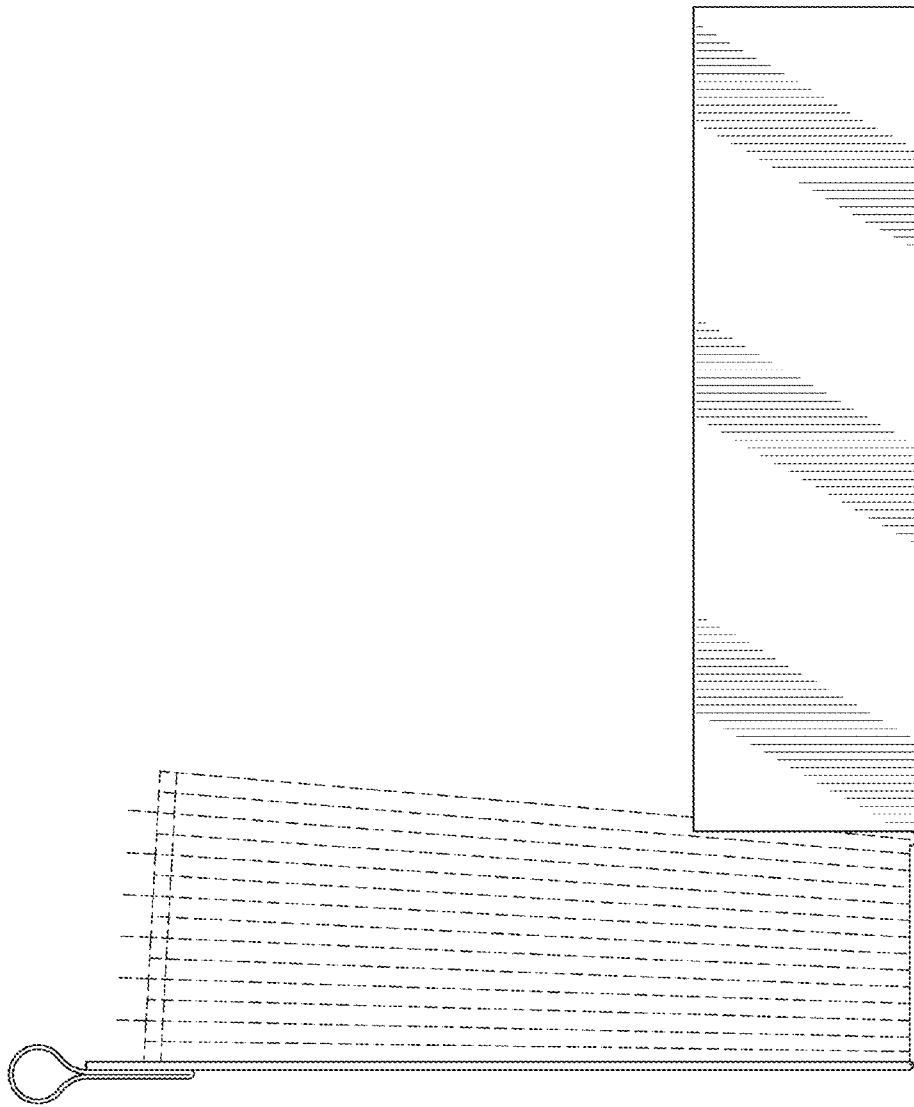


FIG. 10

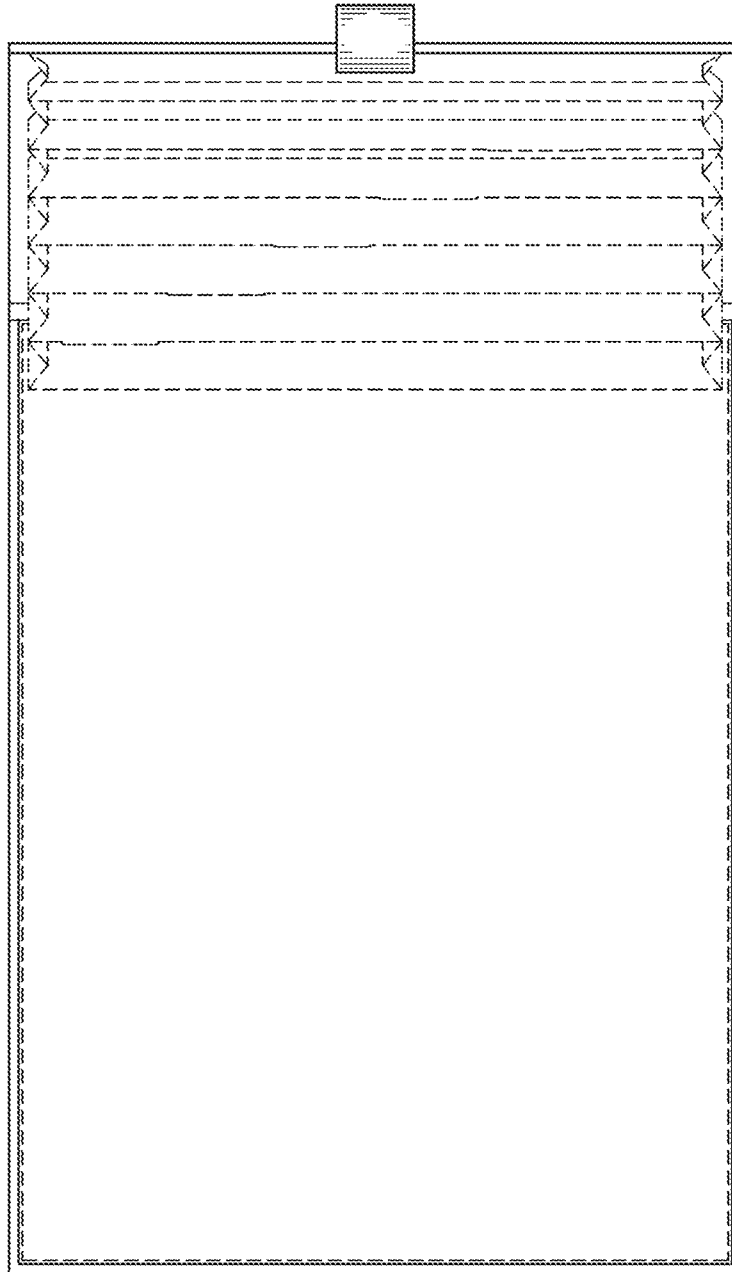


FIG. 11

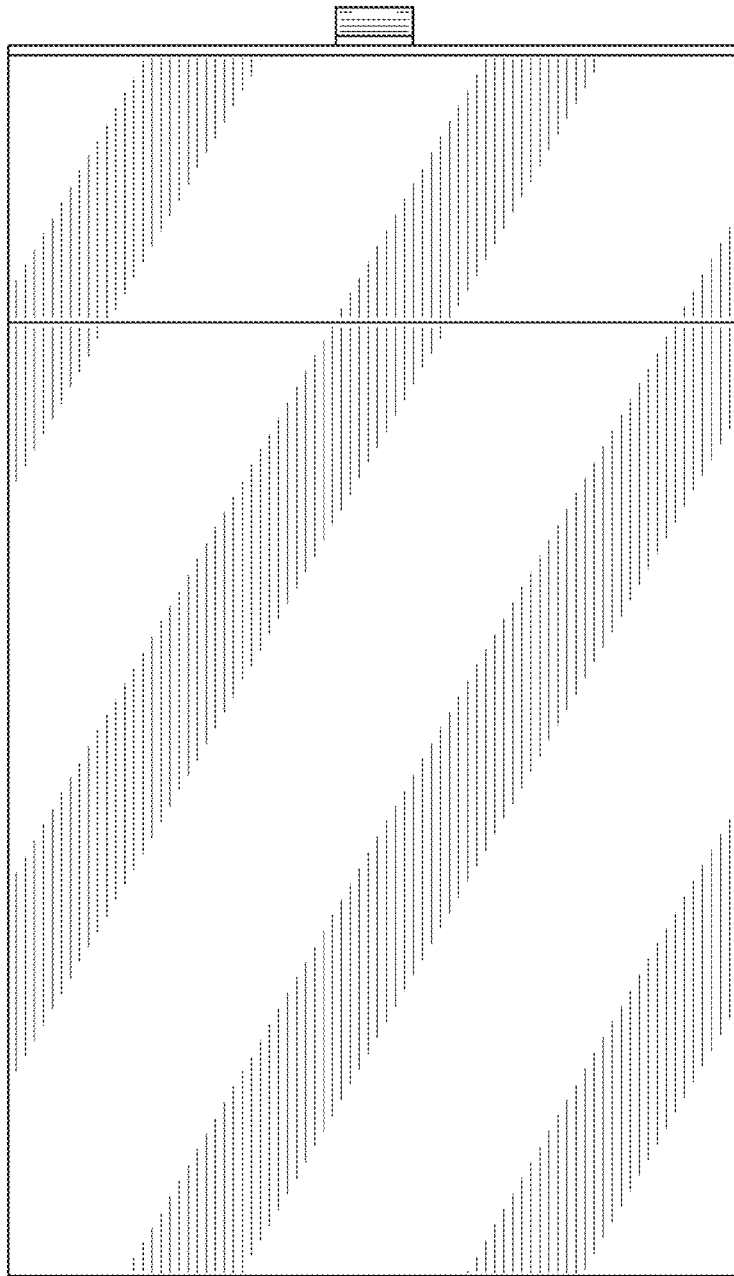


FIG. 12