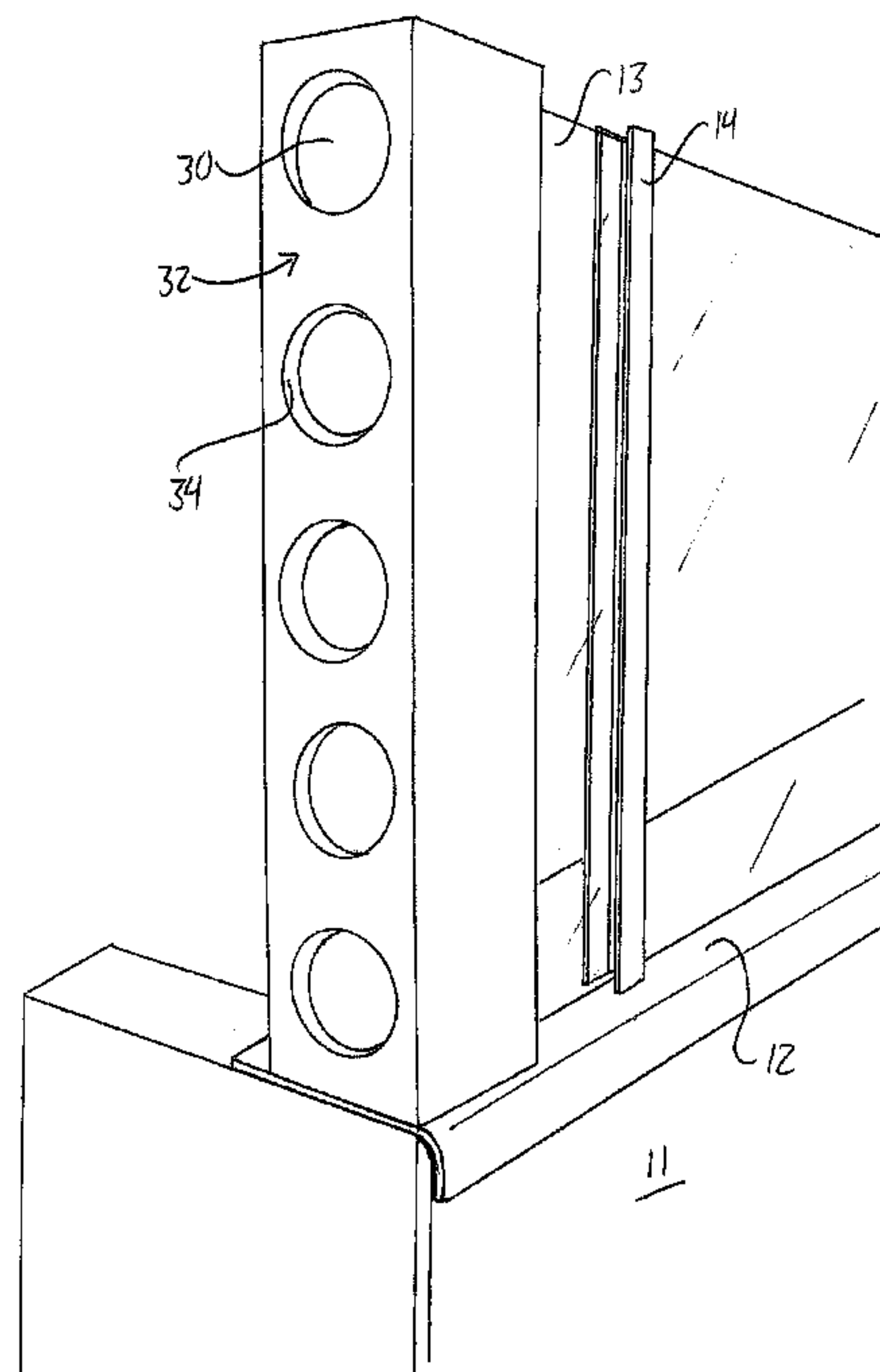




(22) **Date de dépôt/Filing Date:** 2012/03/05
 (41) **Mise à la disp. pub./Open to Public Insp.:** 2012/09/14
 (45) **Date de délivrance/Issue Date:** 2017/02/14
 (30) **Priorités/Priorities:** 2011/03/14 (US61/452,242);
 2011/10/04 (US61/543,024)

(51) **Cl.Int./Int.Cl. A63C 19/10** (2006.01),
A63B 71/08 (2006.01), **E04H 17/16** (2006.01)
 (72) **Inventeur/Inventor:**
 GILKES, ROBERT, CA
 (73) **Propriétaire/Owner:**
 GILKES, ROBERT, CA
 (74) **Agent:** ADE & COMPANY INC.

(54) **Titre : DISPOSITIF DE PROTECTION POUR EQUIPEMENT DE SPORTS**
 (54) **Title: PROTECTIVE DEVICE FOR SPORTS EQUIPMENT**



(57) **Abrégé/Abstract:**

Safety or protective devices for use in preventing or limiting injury to players impacting against sports equipment use compression coil springs, gas springs, foam or combinations thereof to absorb force during the impact. Particular embodiments are configured for use at the edge of a glass viewing and shielding panel disposed atop the boards of a hockey rink, for example such edges typically found at the team bench of a conventional hockey rink.