

(19) World Intellectual Property Organization
International Bureau



(43) International Publication Date
20 November 2008 (20.11.2008)

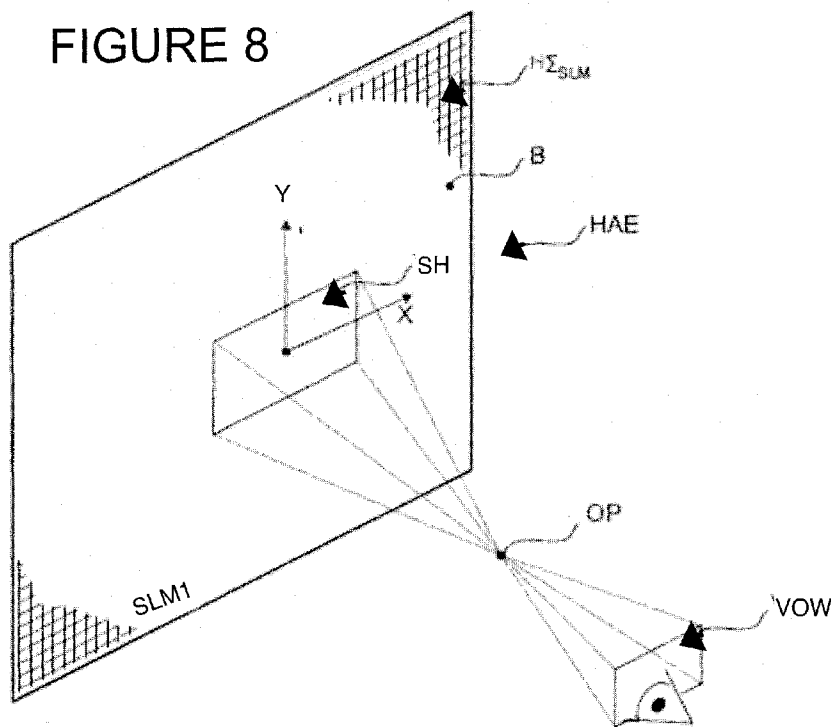
PCT

(10) International Publication Number
WO 2008/138986 A3

(51) International Patent Classification:		0718614.1	25 September 2007 (25.09.2007)	GB
<i>G03H 1/22</i> (2006.01)	<i>G02B 26/08</i> (2006.01)	0718617.4	25 September 2007 (25.09.2007)	GB
<i>G03H 1/02</i> (2006.01)		0718619.0	25 September 2007 (25.09.2007)	GB
(21) International Application Number:		0718622.4	25 September 2007 (25.09.2007)	GB
	PCT/EP2008/056030	0718626.5	25 September 2007 (25.09.2007)	GB
(22) International Filing Date: 16 May 2008 (16.05.2008)		0718629.9	25 September 2007 (25.09.2007)	GB
(25) Filing Language: English		0718632.3	25 September 2007 (25.09.2007)	GB
(26) Publication Language: English		0718633.1	25 September 2007 (25.09.2007)	GB
(30) Priority Data:		0718634.9	25 September 2007 (25.09.2007)	GB
0709376.8	16 May 2007 (16.05.2007)	GB	0718636.4	25 September 2007 (25.09.2007)
0709379.2	16 May 2007 (16.05.2007)	GB	0718640.6	25 September 2007 (25.09.2007)
102007023737.7	16 May 2007 (16.05.2007)	DE	0718649.7	25 September 2007 (25.09.2007)
102007023740.7	16 May 2007 (16.05.2007)	DE	0718654.7	25 September 2007 (25.09.2007)
102007023785.7	16 May 2007 (16.05.2007)	DE	0718656.2	25 September 2007 (25.09.2007)
102007023739.3	16 May 2007 (16.05.2007)	DE	0718659.6	25 September 2007 (25.09.2007)
0718595.2	25 September 2007 (25.09.2007)	GB	(71) Applicant (for all designated States except US): SEE- REAL TECHNOLOGIES S.A. [LU/LU]; 35, Boulevard du Prince Henri, L-1724 Luxembourg (LU).	
0718596.0	25 September 2007 (25.09.2007)	GB	(72) Inventors; and	
0718598.6	25 September 2007 (25.09.2007)	GB	(75) Inventors/Applicants (for US only): KROLL, Bo [DK/GB]; Ilchester Place 11, London W148 AA (GB). MISSBACH, Robert [DE/DE]; Am Teich 10, 01731 Kreischa/OT Bärenklause (DE). SCHWERDTNER,	
0718602.6	25 September 2007 (25.09.2007)	GB		
0718607.5	25 September 2007 (25.09.2007)	GB		

[Continued on next page]

(54) Title: HOLOGRAPHIC DISPLAY WITH MICROPRISM ARRAY



(57) Abstract: Disclosed is a holographic display including a spatial light modulator, and including a position detection and tracking system, such that a viewer's eye positions are tracked, with variable beam deflection to the viewer's eye positions being performed using a microprism array which enables controllable deflection of optical beams.

WO 2008/138986 A3



Alexander [DE/DE]; Marschnerstr. 19, 01307 Dresden (DE).

(81) **Designated States** (*unless otherwise indicated, for every kind of national protection available*): AE, AG, AL, AM, AO, AT, AU, AZ, BA, BB, BG, BH, BR, BW, BY, BZ, CA, CH, CN, CO, CR, CU, CZ, DE, DK, DM, DO, DZ, EC, EE, EG, ES, FI, GB, GD, GE, GH, GM, GT, HN, HR, HU, ID, IL, IN, IS, JP, KE, KG, KM, KN, KP, KR, KZ, LA, LC, LK, LR, LS, LT, LU, LY, MA, MD, ME, MG, MK, MN, MW, MX, MY, MZ, NA, NG, NI, NO, NZ, OM, PG, PH, PL, PT, RO, RS, RU, SC, SD, SE, SG, SK, SL, SM, SV, SY, TJ, TM, TN, TR, TT, TZ, UA, UG, US, UZ, VC, VN, ZA, ZM, ZW.

(84) **Designated States** (*unless otherwise indicated, for every kind of regional protection available*): ARIPO (BW, GH,

GM, KE, LS, MW, MZ, NA, SD, SL, SZ, TZ, UG, ZM, ZW), Eurasian (AM, AZ, BY, KG, KZ, MD, RU, TJ, TM), European (AT, BE, BG, CH, CY, CZ, DE, DK, EE, ES, FI, FR, GB, GR, HR, HU, IE, IS, IT, LT, LU, LV, MC, MT, NL, NO, PL, PT, RO, SE, SI, SK, TR), OAPI (BF, BJ, CF, CG, CI, CM, GA, GN, GQ, GW, ML, MR, NE, SN, TD, TG).

Published:

- *with international search report*
- *before the expiration of the time limit for amending the claims and to be republished in the event of receipt of amendments*

(88) **Date of publication of the international search report:**
22 January 2009

INTERNATIONAL SEARCH REPORT

International application No
PCT/EP2008/056030

A. CLASSIFICATION OF SUBJECT MATTER
 INV. G03H1/22 G03H1/02 G02B26/08

According to International Patent Classification (IPC) or to both national classification and IPC

B. FIELDS SEARCHED
 Minimum documentation searched (classification system followed by classification symbols)
 G03H G02B

Documentation searched other than minimum documentation to the extent that such documents are included in the fields searched

Electronic data base consulted during the international search (name of data base and, where practical, search terms used)

C. DOCUMENTS CONSIDERED TO BE RELEVANT

Category*	Citation of document, with indication, where appropriate, of the relevant passages	Relevant to claim No.
X	WO 2006/119760 A (SEEREAL TECHNOLOGIES GMBH [DE]; SCHWERDTNER ARMIN [DE]) 16 November 2006 (2006-11-16) page 14, column 22; figure 6	1-3, 7-12, 18, 21-24 4-6, 13-15
Y	US 2006/158729 A1 (VISSENBERG MICHEL CORNELIS J M [NL] ET AL) 20 July 2006 (2006-07-20) paragraphs [0052], [0054]; figures 7B,9	4-6
Y	EP 1 227 468 A (EASTMAN KODAK CO [US]) 31 July 2002 (2002-07-31) abstract; figures 3-8	13, 14
Y	US 2006/050340 A1 (SCHWERDTNER ARMIN [DE] ET AL) 9 March 2006 (2006-03-09) paragraph [0061]; figure 1	15

Further documents are listed in the continuation of Box C. See patent family annex.

* Special categories of cited documents :

A document defining the general state of the art which is not considered to be of particular relevance	*T* later document published after the international filing date or priority date and not in conflict with the application but cited to understand the principle or theory underlying the invention
E earlier document but published on or after the international filing date	*X* document of particular relevance; the claimed invention cannot be considered novel or cannot be considered to involve an inventive step when the document is taken alone
L document which may throw doubts on priority claim(s) or which is cited to establish the publication date of another citation or other special reason (as specified)	*Y* document of particular relevance; the claimed invention cannot be considered to involve an inventive step when the document is combined with one or more other such documents, such combination being obvious to a person skilled in the art.
O document referring to an oral disclosure, use, exhibition or other means	*&* document member of the same patent family
P document published prior to the international filing date but later than the priority date claimed	

Date of the actual completion of the international search 26 November 2008	Date of mailing of the international search report 03/12/2008
---	--

Name and mailing address of the ISA/ European Patent Office, P.B. 5818 Patentlaan 2 NL - 2280 HV Rijswijk Tel. (+31-70) 340-2040, Fax: (+31-70) 340-3016	Authorized officer Noirard, Pierre
--	---

INTERNATIONAL SEARCH REPORT

Information on patent family members

International application No

PCT/EP2008/056030

Patent document cited in search report	Publication date	Patent family member(s)	Publication date
WO 2006119760 A	16-11-2006	AT 410719 T	15-10-2008
		CA 2608290 A1	16-11-2006
		CN 101176043 A	07-05-2008
		DE 102005023743 A1	16-11-2006
		EP 1880252 A2	23-01-2008
		KR 20080012972 A	12-02-2008
		US 2008198431 A1	21-08-2008
US 2006158729 A1	20-07-2006	CN 1751525 A	22-03-2006
		WO 2004075526 A2	02-09-2004
		JP 2006521572 T	21-09-2006
		KR 20050102119 A	25-10-2005
EP 1227468 A	31-07-2002	JP 2002268587 A	20-09-2002
		US 2002142504 A1	03-10-2002
US 2006050340 A1	09-03-2006	BR PI0515644 A	29-07-2008
		CA 2577858 A1	16-03-2006
		DE 102004044111 A1	09-03-2006
		EP 1792234 A1	06-06-2007
		WO 2006027228 A1	16-03-2006
		JP 2008512698 T	24-04-2008
		KR 20070102476 A	18-10-2007
		US 2008198430 A1	21-08-2008