



US00D951306S

(12) **United States Design Patent**
Yoon et al.

(10) **Patent No.:** **US D951,306 S**

(45) **Date of Patent:** **** May 10, 2022**

(54) **REFRIGERATOR**

(71) Applicant: **SAMSUNG ELECTRONICS CO., LTD.**, Suwon-si (KR)

(72) Inventors: **Kisang Yoon**, Suwon-si (KR);
Cheolwoong Seo, Suwon-si (KR);
Honguk Lee, Suwon-si (KR);
Sangwoon Jeon, Suwon-si (KR)

(73) Assignee: **SAMSUNG ELECTRONICS CO., LTD.**, Gyeonggi-Do (KR)

(**) Term: **15 Years**

(21) Appl. No.: **29/741,872**

(22) Filed: **Jul. 16, 2020**

(30) **Foreign Application Priority Data**

Apr. 17, 2020 (KR) 30-2020-0017159

(51) **LOC (13) Cl.** **15-07**

(52) **U.S. Cl.**
USPC **D15/81; D15/86**

(58) **Field of Classification Search**
USPC D15/79-91

(Continued)

(56) **References Cited**

U.S. PATENT DOCUMENTS

D603,429 S * 11/2009 Lee D15/85
D657,805 S * 4/2012 Cho D15/86

(Continued)

FOREIGN PATENT DOCUMENTS

KR 300374424 S 3/2005
KR 300457654 S 7/2007

(Continued)

OTHER PUBLICATIONS

LG Electronics, LRFDS3016S 36 Inch Smart French Door Craft Ice Refrigerator, (site visited Dec. 16, 2021), AJ Madison website,

URL:<<https://www.ajmadison.com/cgi-bin/ajmadison/LRFDS3016.html>> (Year: 2021).*

(Continued)

Primary Examiner — Calvin E Vansant
Assistant Examiner — Mark T. Philipps
(74) *Attorney, Agent, or Firm* — Cantor Colburn LLP

(57) **CLAIM**

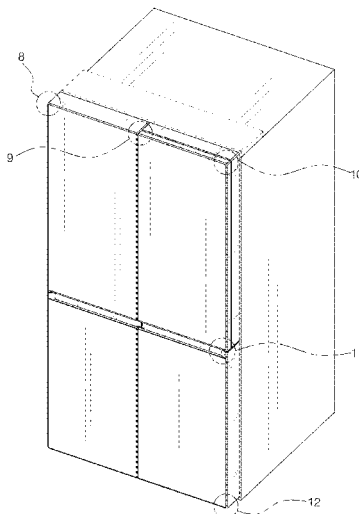
The ornamental design for a refrigerator, as shown and described.

DESCRIPTION

FIG. 1 is a front perspective view of a refrigerator, showing our new design;
FIG. 2 is a front view thereof;
FIG. 3 is a rear view thereof;
FIG. 4 is a left-side view thereof;
FIG. 5 is a right-side view thereof;
FIG. 6 is a top view thereof;
FIG. 7 is a bottom view thereof;
FIG. 8 is an enlarged view of the encircled portion '8' in FIG. 1;
FIG. 9 is an enlarged view of the encircled portion '9' in FIG. 1;
FIG. 10 is an enlarged view of the encircled portion '10' in FIG. 1;
FIG. 11 is an enlarged view of the encircled portion '11' in FIG. 1;
FIG. 12 is an enlarged view of the encircled portion '12' in FIG. 1; and,
FIG. 13 is an enlarged view of the encircled portion '13' in FIG. 2.

The dot-dot-dash broken lines encircling enlargement portions of the design form no part of the claimed design. The broken lines illustrating portions of the refrigerator form no part of the claimed design.

1 Claim, 13 Drawing Sheets



US D951,306 S

(58) Field of Classification Search

CPC F25D 2323/021; F25D 2323/024; F25D 29/00; F25D 27/005; F25D 29/005; F25D 17/042; F25D 2325/021; F25D 11/00; F25D 11/02; F25D 11/025; F25D 23/00; F25D 23/02; F25D 23/04; F25D 23/12; F25D 23/028; F25D 25/02; F25D 25/021; F25D 25/022; F25D 25/024; F25D 25/025; A47F 3/04; A47F 3/0404

See application file for complete search history.

(56) References Cited

U.S. PATENT DOCUMENTS

Table with 4 columns: Patent Number, Kind Code, Date, Inventor, and Reference Number. Includes entries like D658,215 S * 4/2012 Seo, D715,335 S * 10/2014 Kim, etc.

Table with 4 columns: Patent Number, Kind Code, Date, Inventor, and Reference Number. Includes entries like D921,065 S * 6/2021 Lee, D921,711 S * 6/2021 Lee, etc.

FOREIGN PATENT DOCUMENTS

Table with 3 columns: Country Code, Patent Number, and Date. Includes entries like WO DM074856 11/2010, WO DM096469 3/2017, WO DM101990 7/2018.

OTHER PUBLICATIONS

Samsung, RF23A9671SR 36 Inch Counter Depth 4-Door Flex™ Smart Refrigerator, (site visited Dec. 16, 2021), AJ Madison website, URL:<https://www.ajmadison.com/cgi-bin/ajmadison/RF23A9671.html> (Year: 2021).*

* cited by examiner

FIG. 1

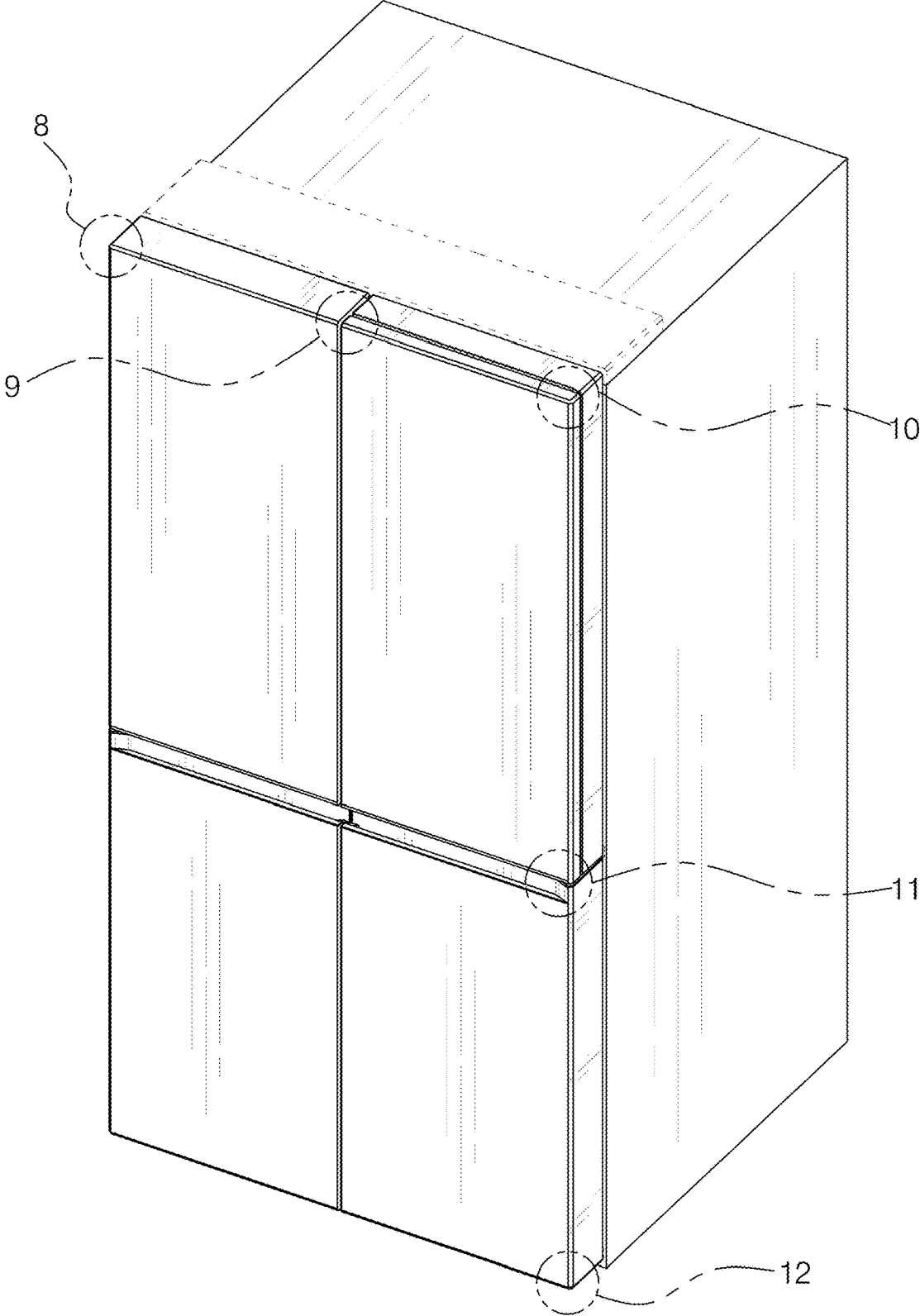


FIG. 2

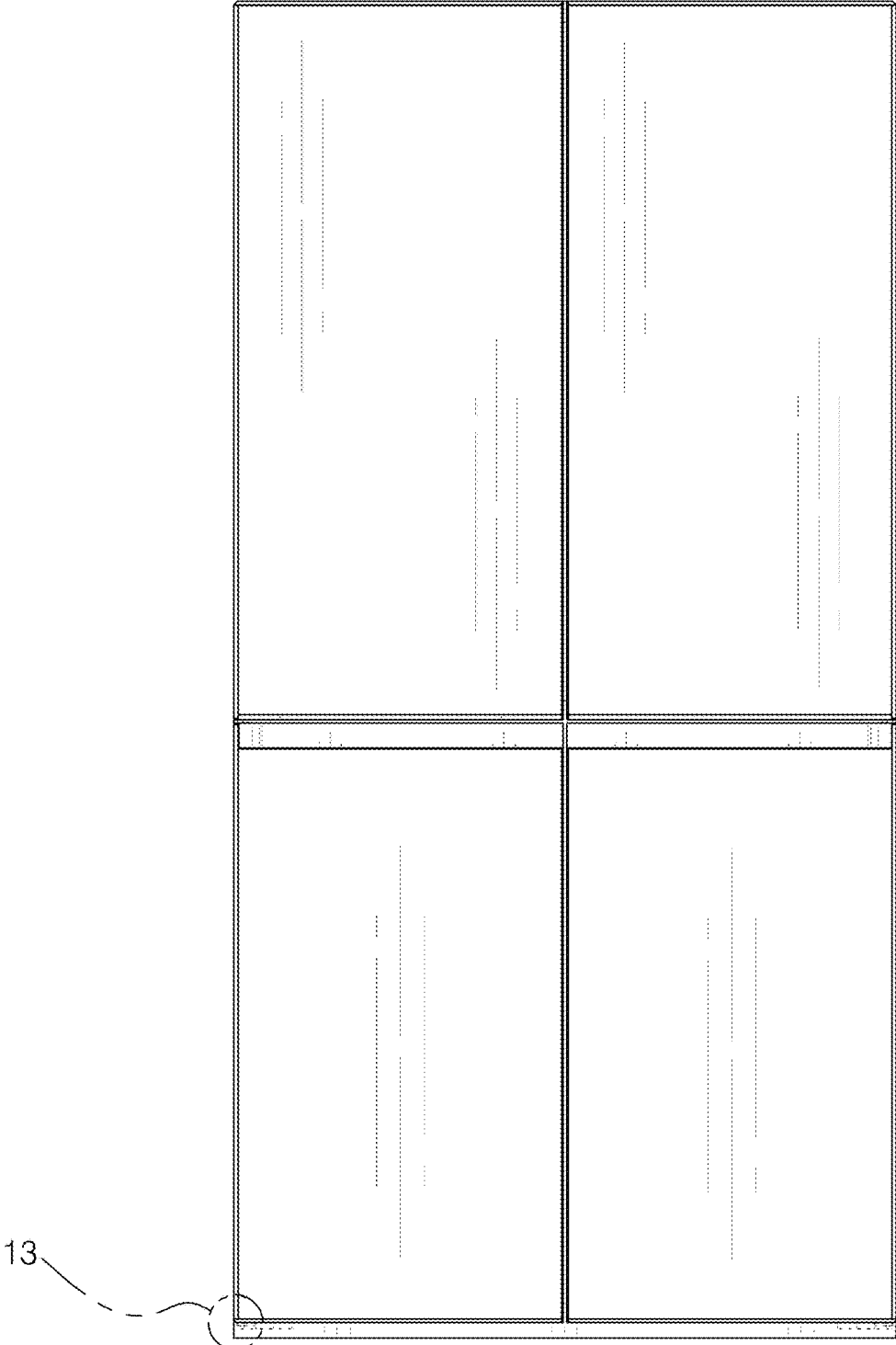


FIG. 3

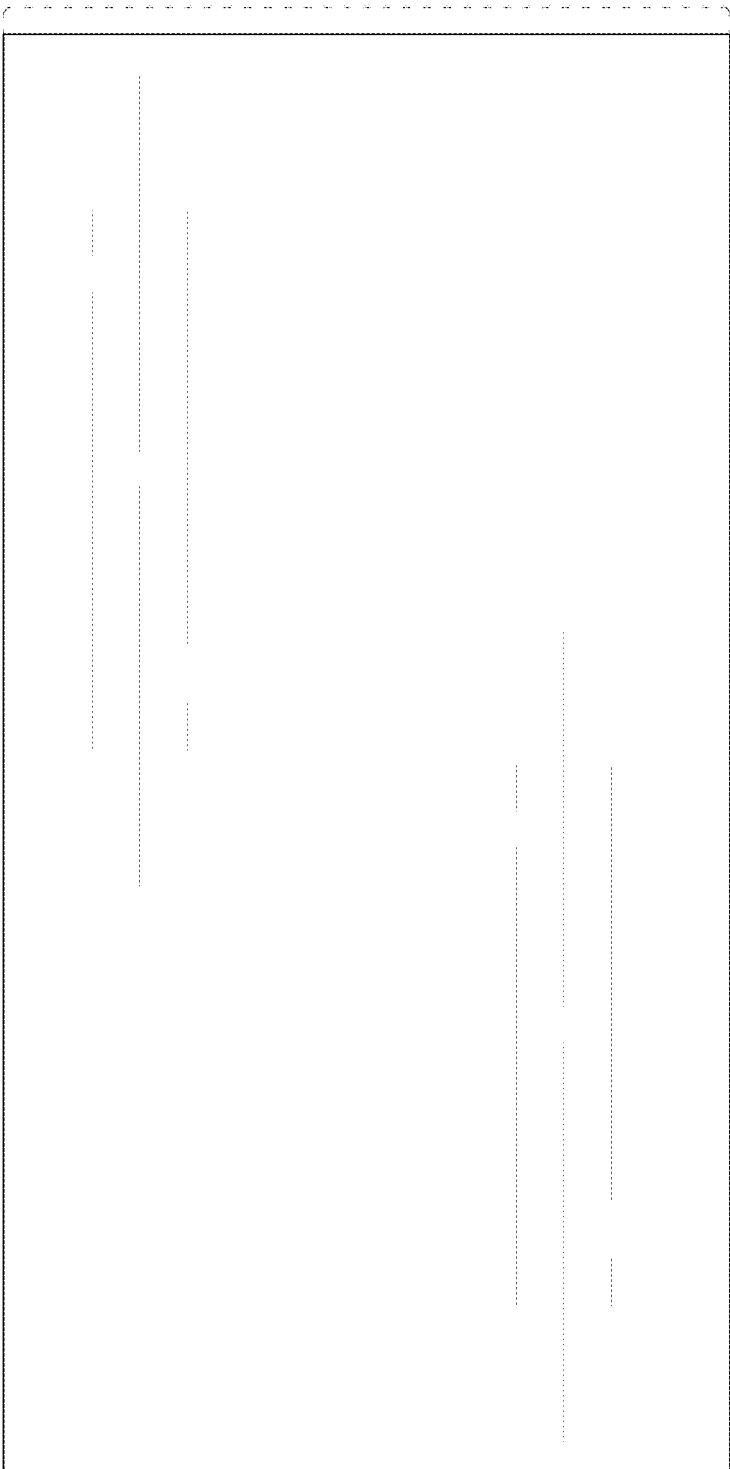


FIG. 4

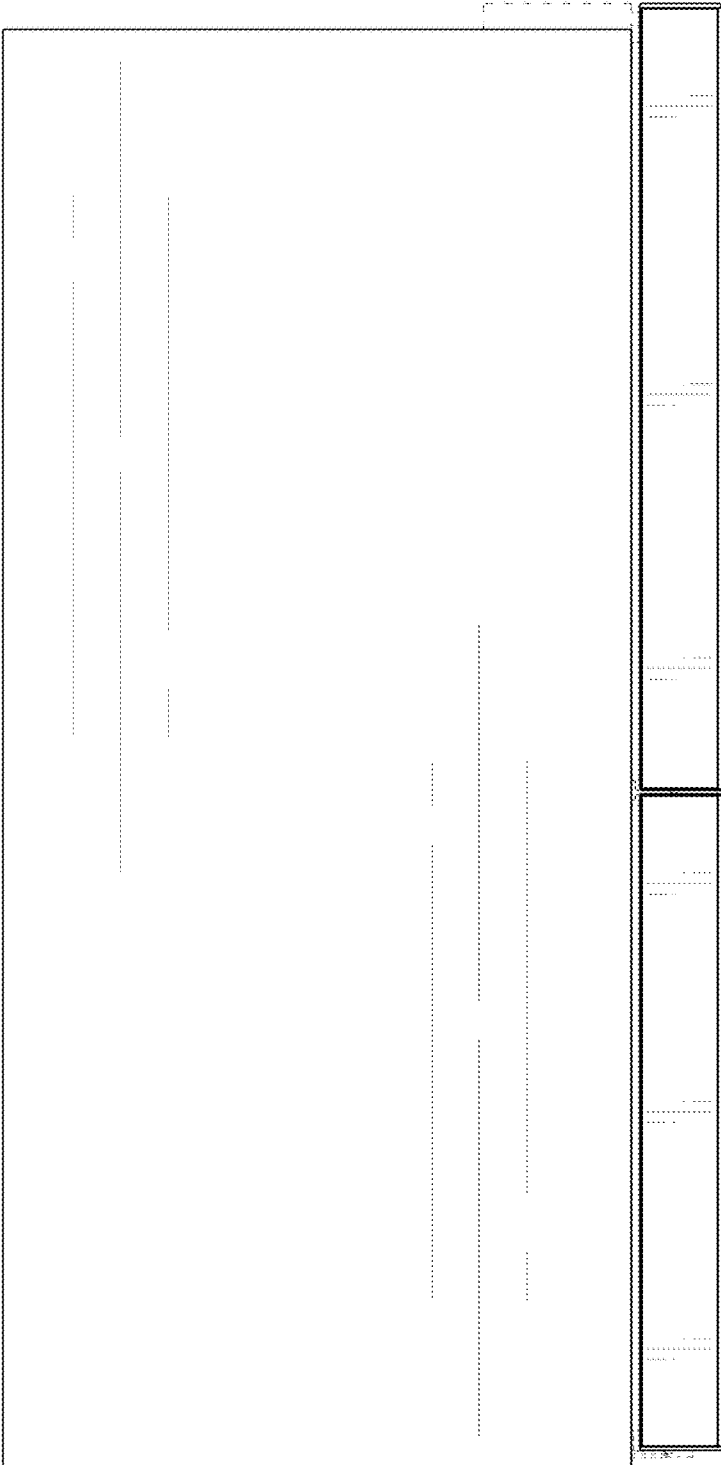


FIG. 5

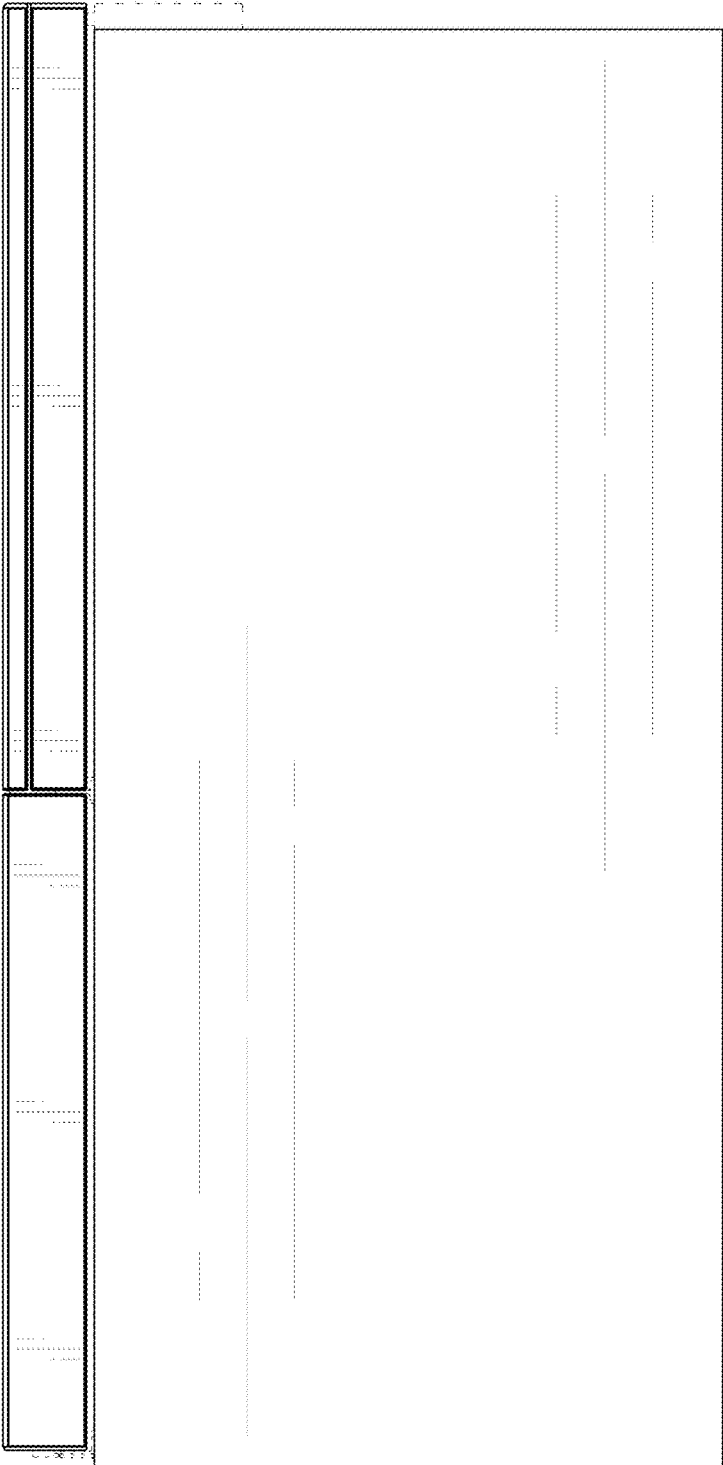


FIG. 6

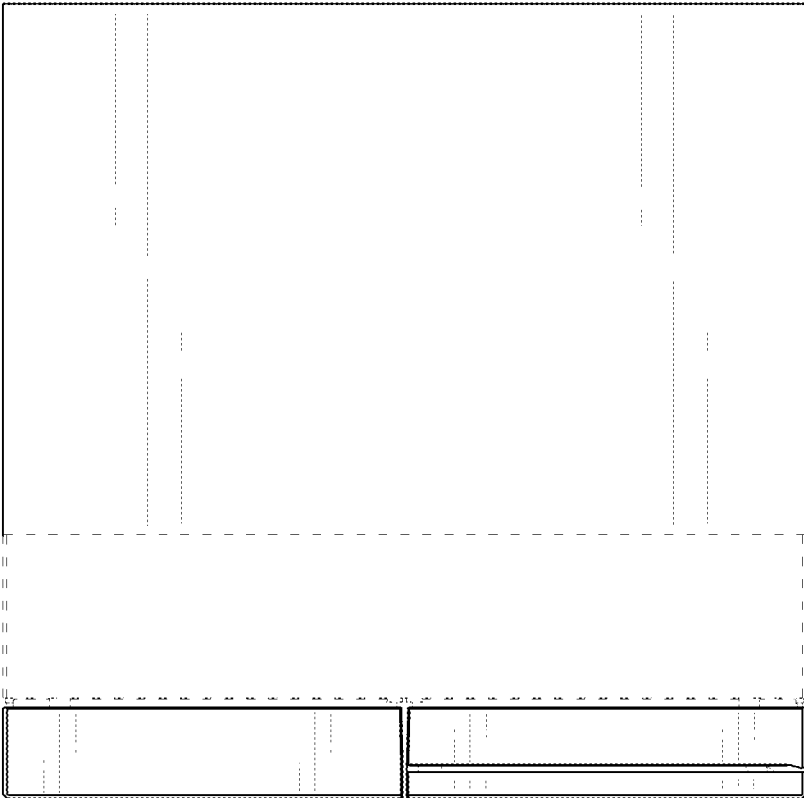


FIG. 7

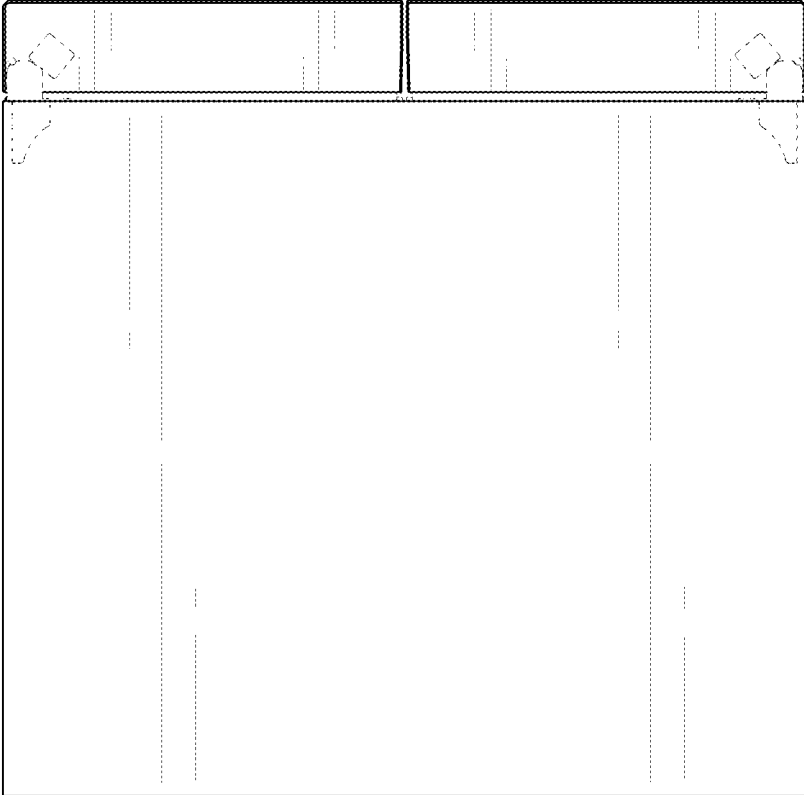


FIG. 8

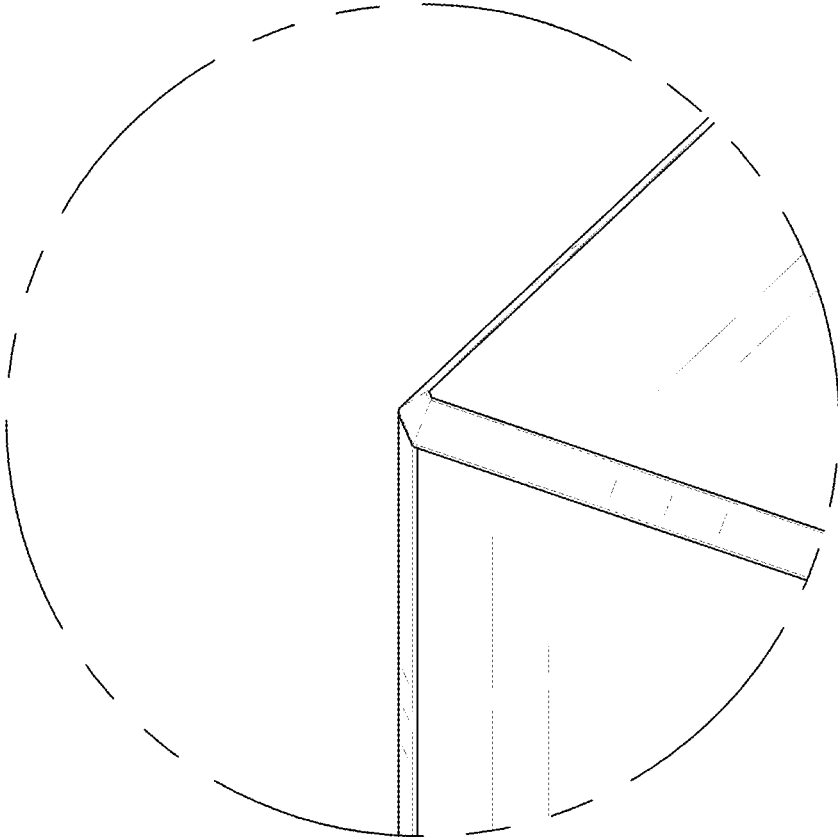


FIG. 9

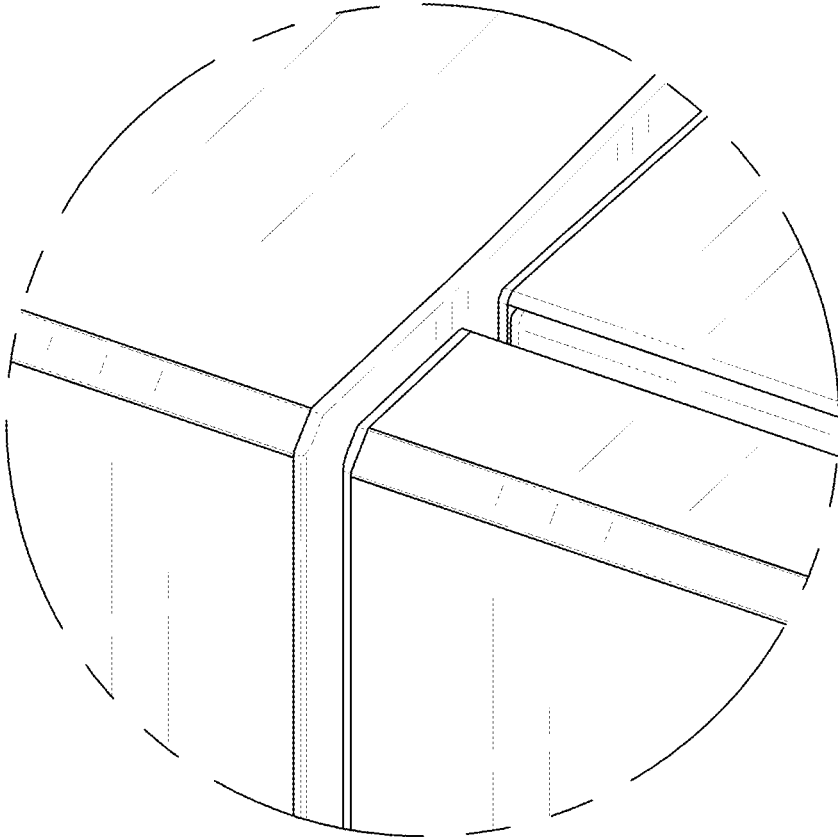


FIG. 10

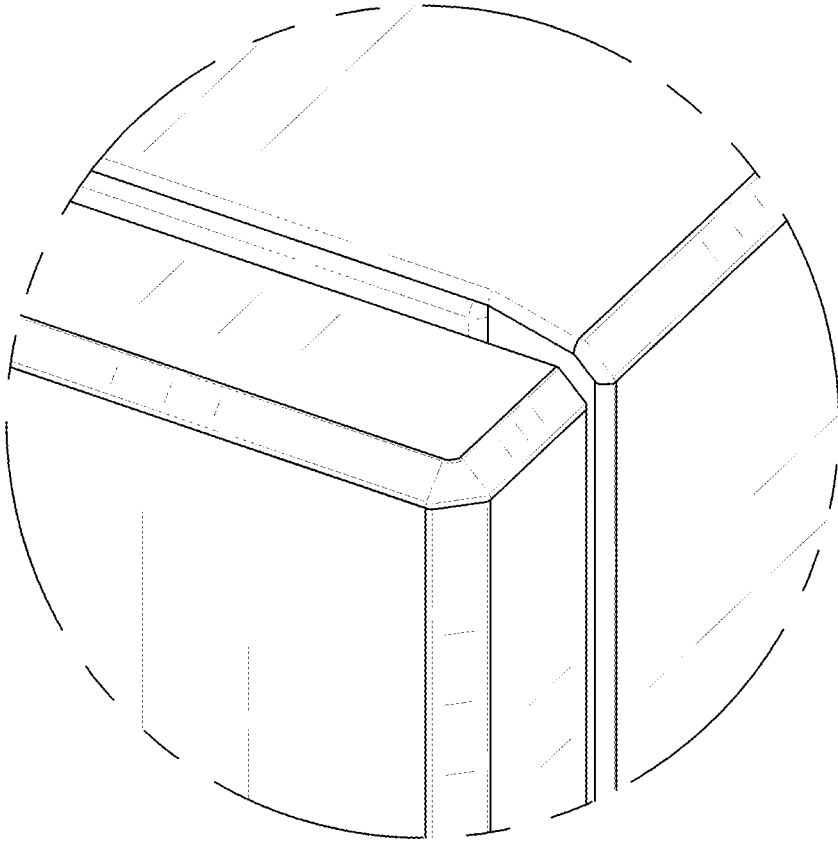


FIG. 11

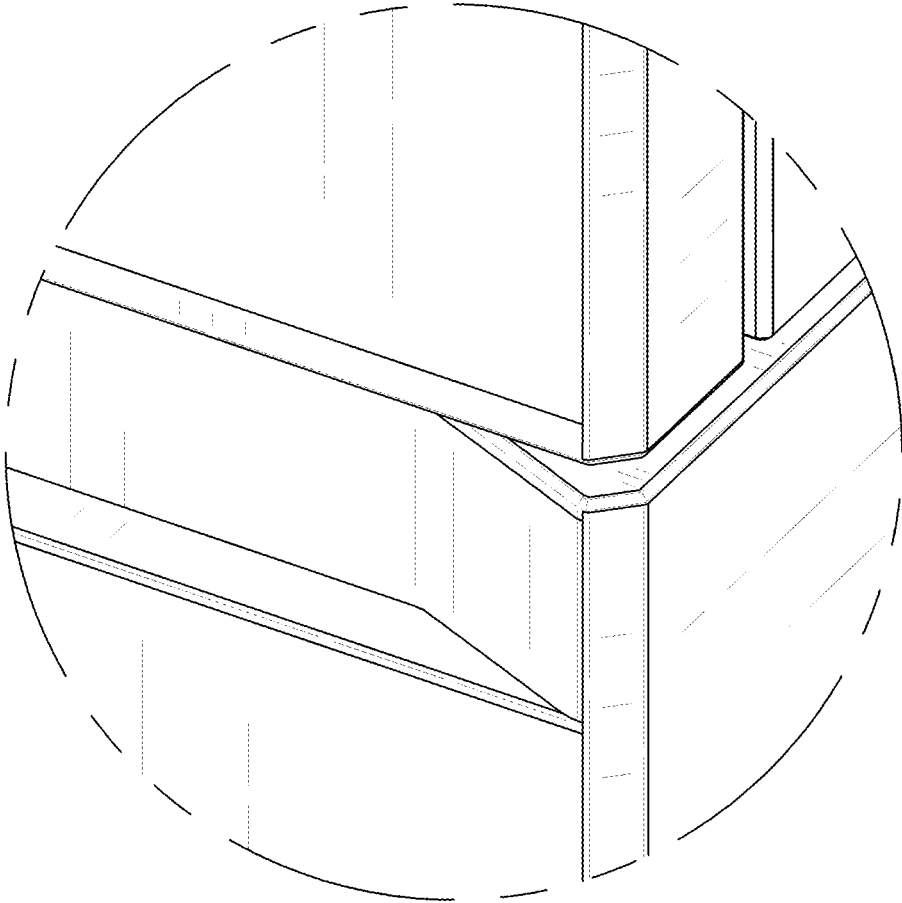


FIG. 12

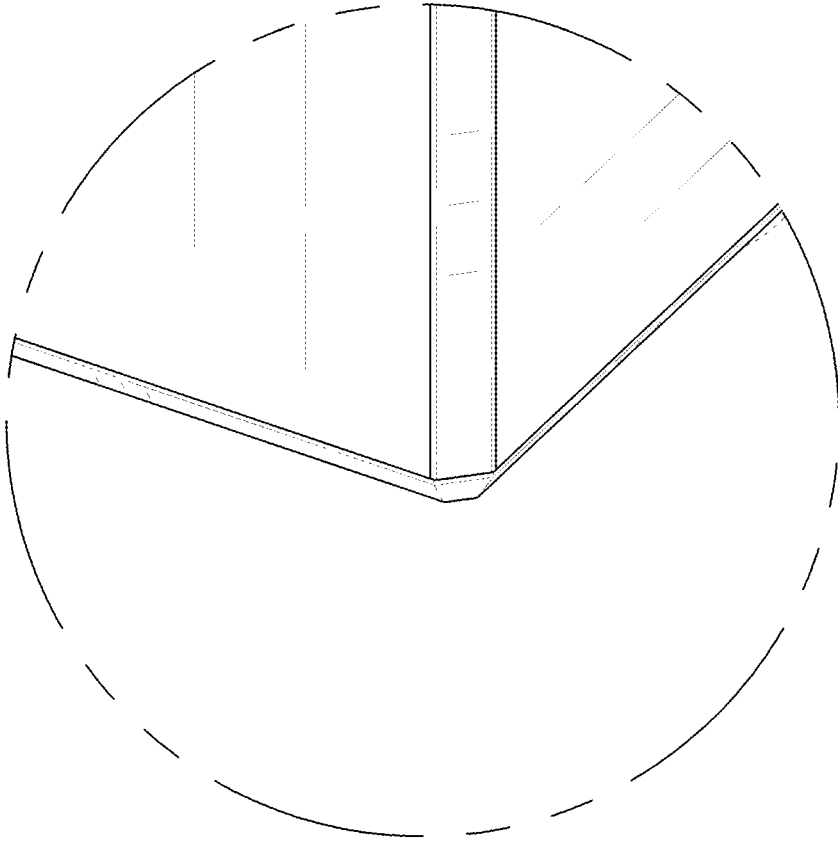


FIG. 13

