



US0D1022525S

(12) **United States Design Patent**
Bing et al.

(10) **Patent No.:** **US D1,022,525 S**

(45) **Date of Patent:** **** Apr. 16, 2024**

(54) **DOSING APPARATUS**

FOREIGN PATENT DOCUMENTS

(71) Applicant: **Cintas Corporate Services, Inc.**,
Cincinnati, OH (US)

GB 6272771 * 5/2023
GB 6272772 * 5/2023

(72) Inventors: **Richard R. Bing**, West Chester, OH
(US); **David Steven Mesko**, Wyoming,
OH (US)

OTHER PUBLICATIONS

Hand Soap or Sanitizer. Cintas (online) 5 pgs. No Date Available.
[Retrieved Jan. 26, 2024] <https://www.cintas.com/facilityservices/restroom-supplies/signature-series/hand-soap-dispensers/> (Year: NA).*

(73) Assignee: **Cintas Corporate Services, Inc.**,
Cincinnati, OH (US)

Primary Examiner — Marie D. Fast Horse

Assistant Examiner — Jennifer Sierra Yosinski

(**) Term: **15 Years**

(74) *Attorney, Agent, or Firm* — Wood Herron & Evans
LLP

(21) Appl. No.: **29/855,428**

(57) **CLAIM**

The ornamental design for a dosing apparatus, as shown and
described.

(22) Filed: **Oct. 3, 2022**

(51) **LOC (14) Cl.** **23-08**

(52) **U.S. Cl.**
USPC **D6/545**

(58) **Field of Classification Search**

USPC D6/505, 524, 542, 544, 545; D23/200,
D23/213; D32/1, 25, 26
CPC A47K 5/1211; A47K 5/00; A47K 5/06;
A47K 5/12; A47K 5/1201; A47K 5/1204
See application file for complete search history.

DESCRIPTION

FIG. 1 is a perspective view of one embodiment of a dosing
apparatus showing our design;
FIG. 2 is a front elevational view thereof;
FIG. 3 right side elevational view thereof, the left side
elevational view being a mirror image thereof;
FIG. 4 is a rear elevational view thereof;
FIG. 5 is a top plan view thereof;
FIG. 6 is a bottom plan view thereof;
FIG. 7 is a perspective view of another embodiment of the
dosing apparatus showing our design;
FIG. 8 is a front elevational view thereof;
FIG. 9 is a right side elevational view thereof, the left side
elevation view being a mirror image thereof;
FIG. 10 is a rear elevational view thereof;
FIG. 11 is a top plan view thereof; and,
FIG. 12 is a bottom plan view thereof.

The broken lines shown in the figures are for the purpose of
illustrating portions of the dosing apparatus and form no part
of the claimed design.

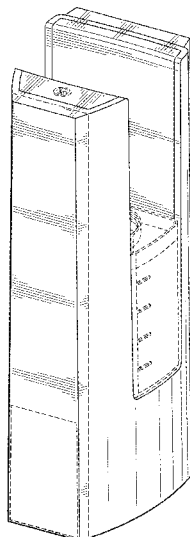
(56) **References Cited**

U.S. PATENT DOCUMENTS

D287,448 S * 12/1986 Yoo D6/542
4,697,610 A 10/1987 Bricker et al.
4,950,136 A 8/1990 Haas et al.
5,253,677 A 10/1993 Sand
5,522,419 A 6/1996 Sand
6,499,872 B2 12/2002 Sand
6,619,318 B2 9/2003 Dalhart et al.
D595,523 S * 7/2009 Pattberg D6/545
D637,848 S * 5/2011 Kramer D6/545
D733,456 S * 7/2015 Buell D6/545
D798,080 S * 9/2017 Duncan D6/542
10,543,955 B1 * 1/2020 Turturro B65D 5/724

(Continued)

1 Claim, 10 Drawing Sheets



(56)

References Cited

U.S. PATENT DOCUMENTS

D887,171	S	*	6/2020	Goldfarb	D7/300
D901,930	S	*	11/2020	Reilly	D6/542
D929,767	S	*	9/2021	Turturro	D6/545
D982,343	S	*	4/2023	Turturro	D6/515
D996,856	S	*	8/2023	Starck	D6/545
D997,594	S	*	9/2023	Jesmer	D6/545
2004/0000564	A1	*	1/2004	Haase	A47K 5/1211 222/130
2004/0050438	A1		3/2004	Haas	
2006/0260704	A1		11/2006	Sand	

* cited by examiner

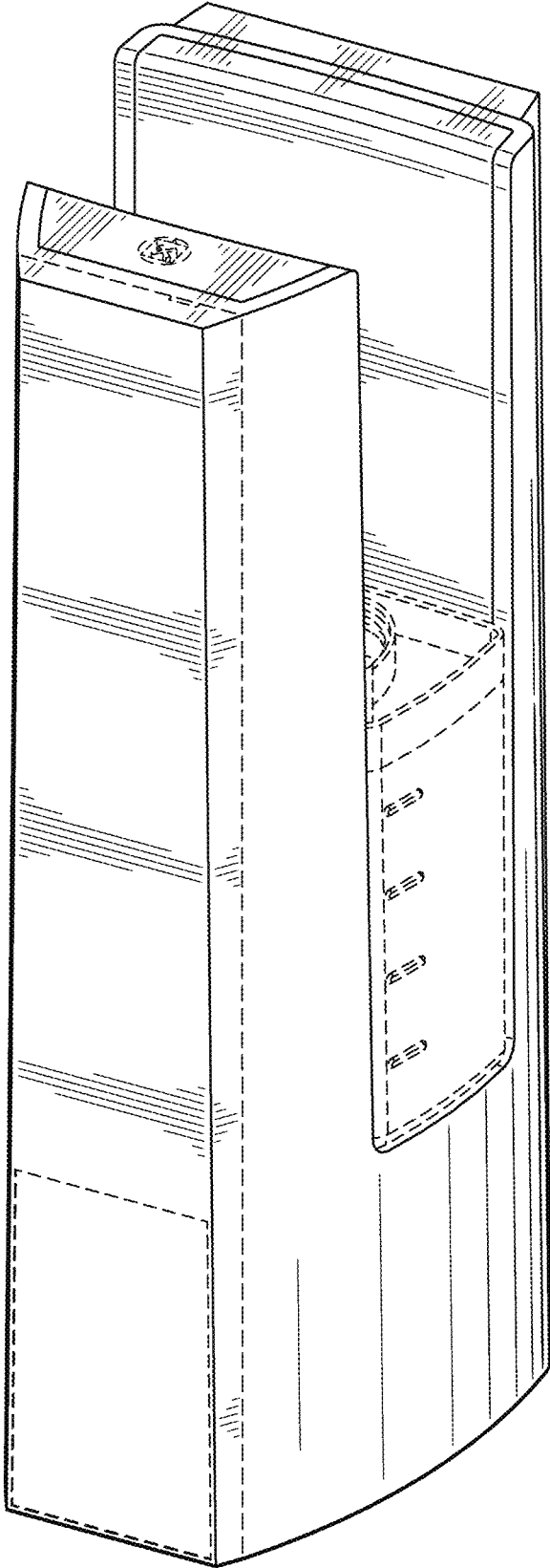


FIG. 1

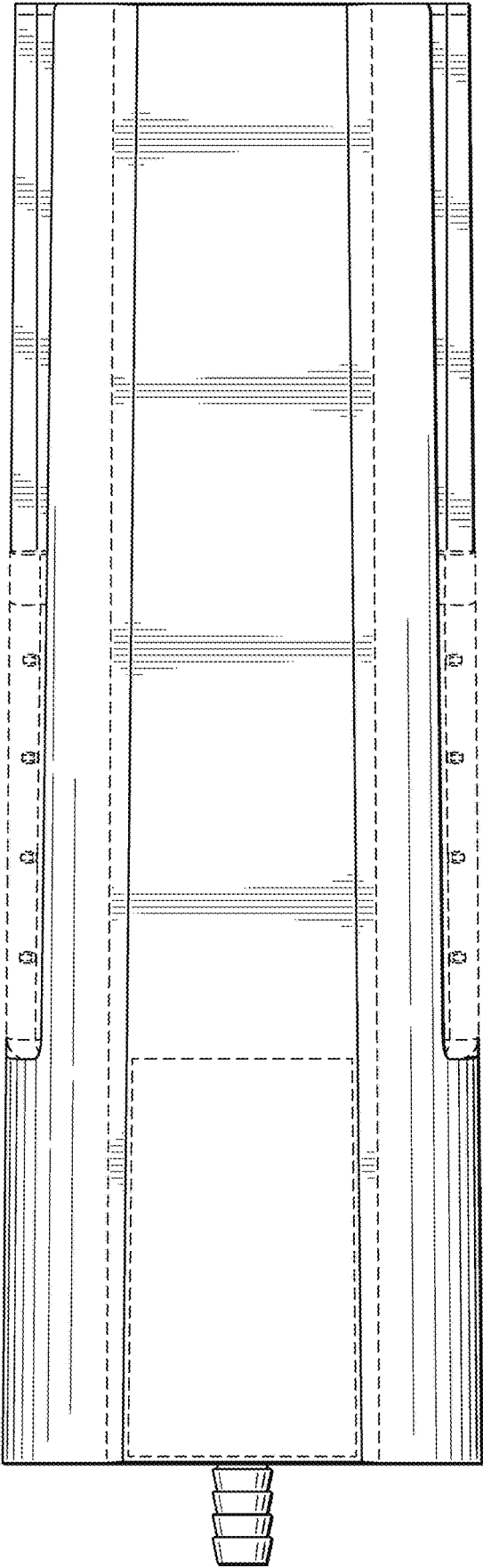


FIG. 2

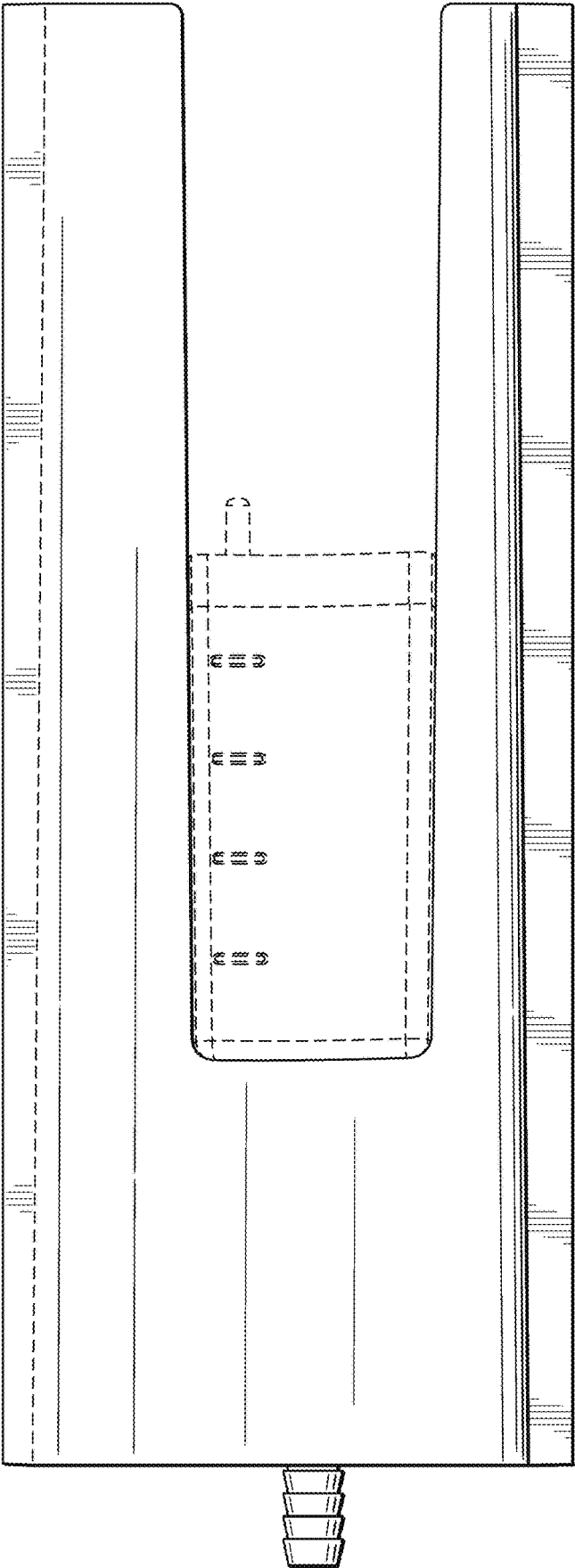


FIG. 3

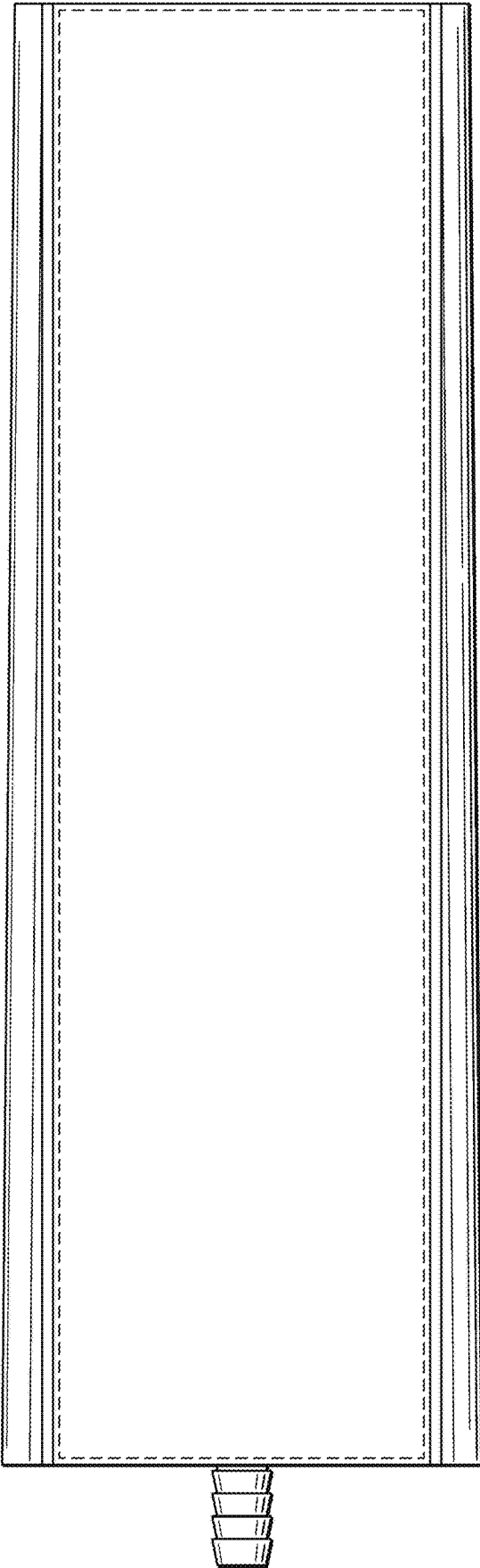


FIG. 4

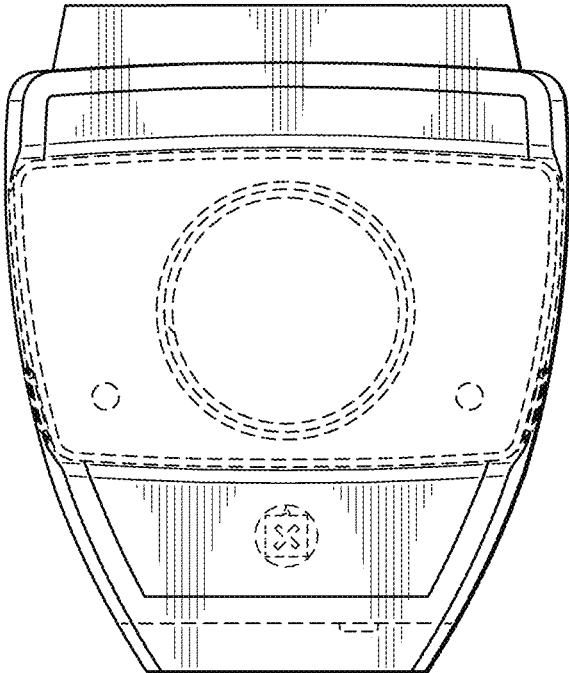


FIG. 5

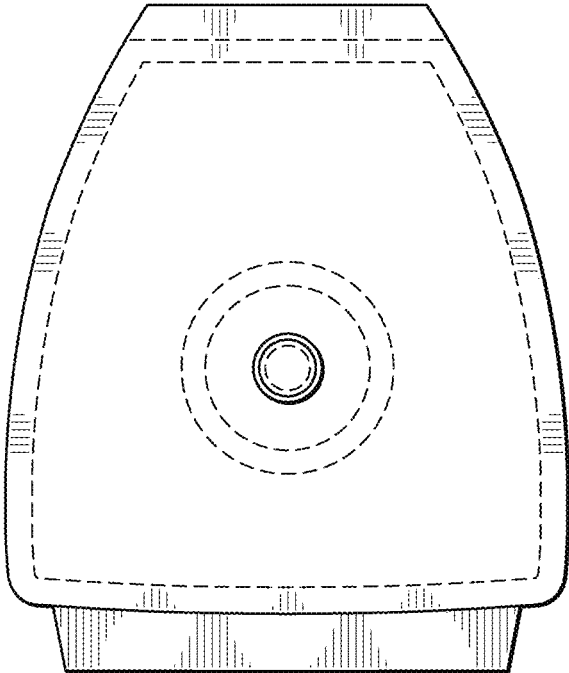


FIG. 6

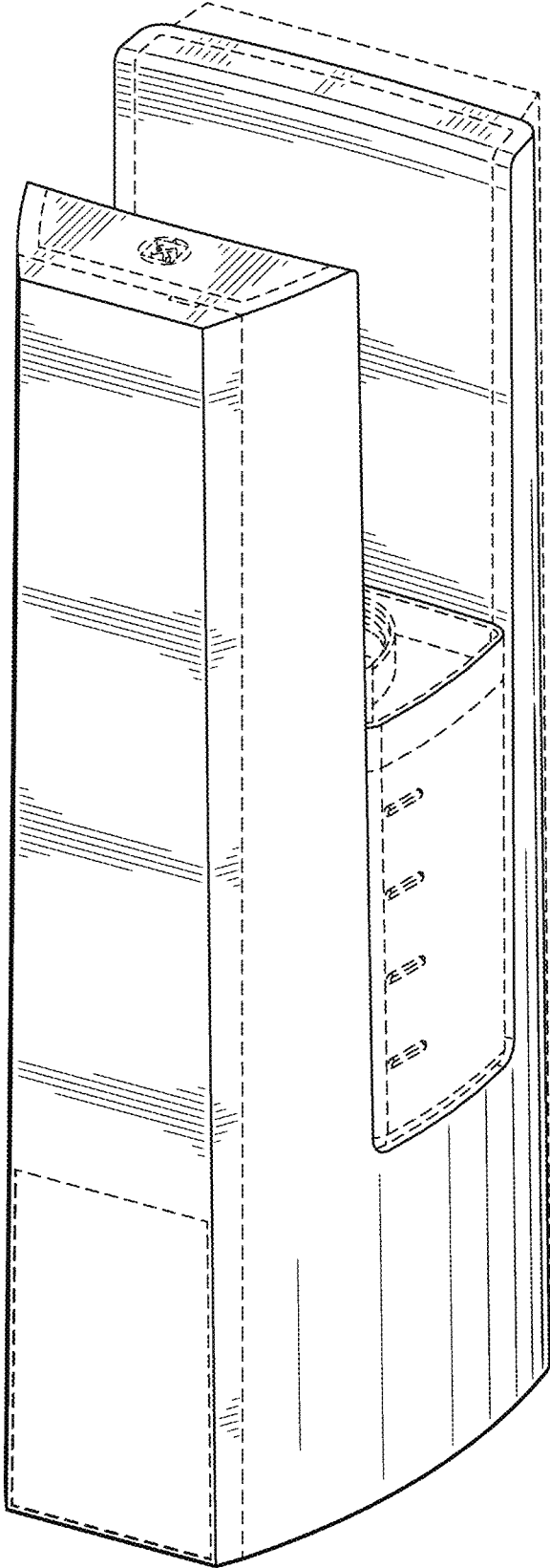


FIG. 7

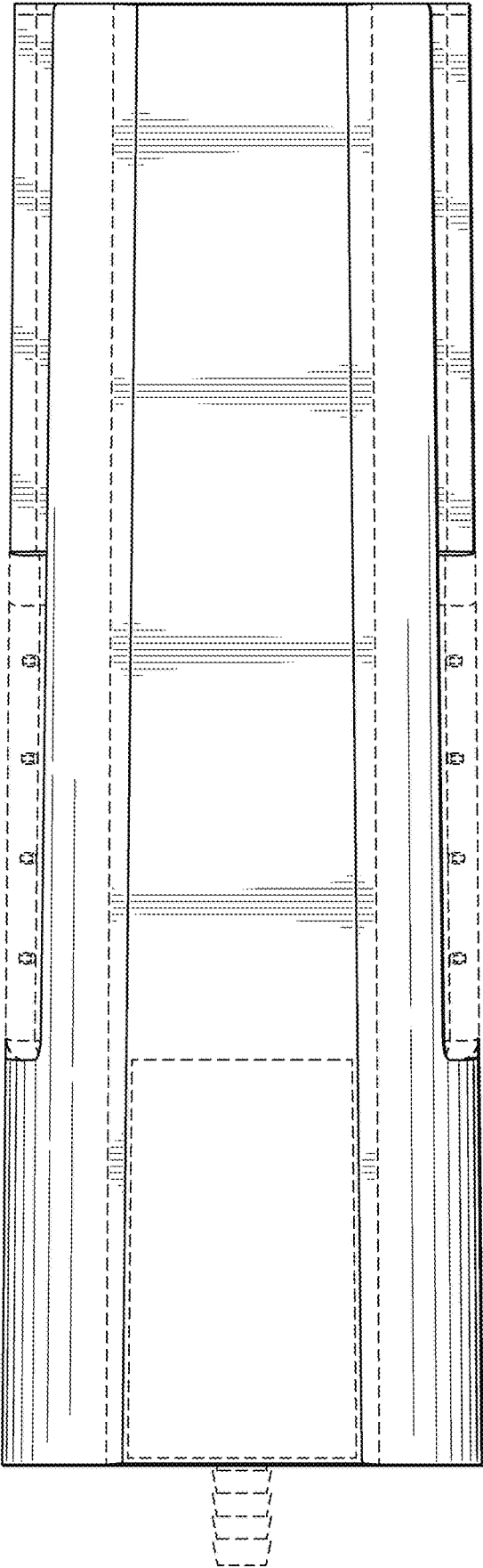


FIG. 8

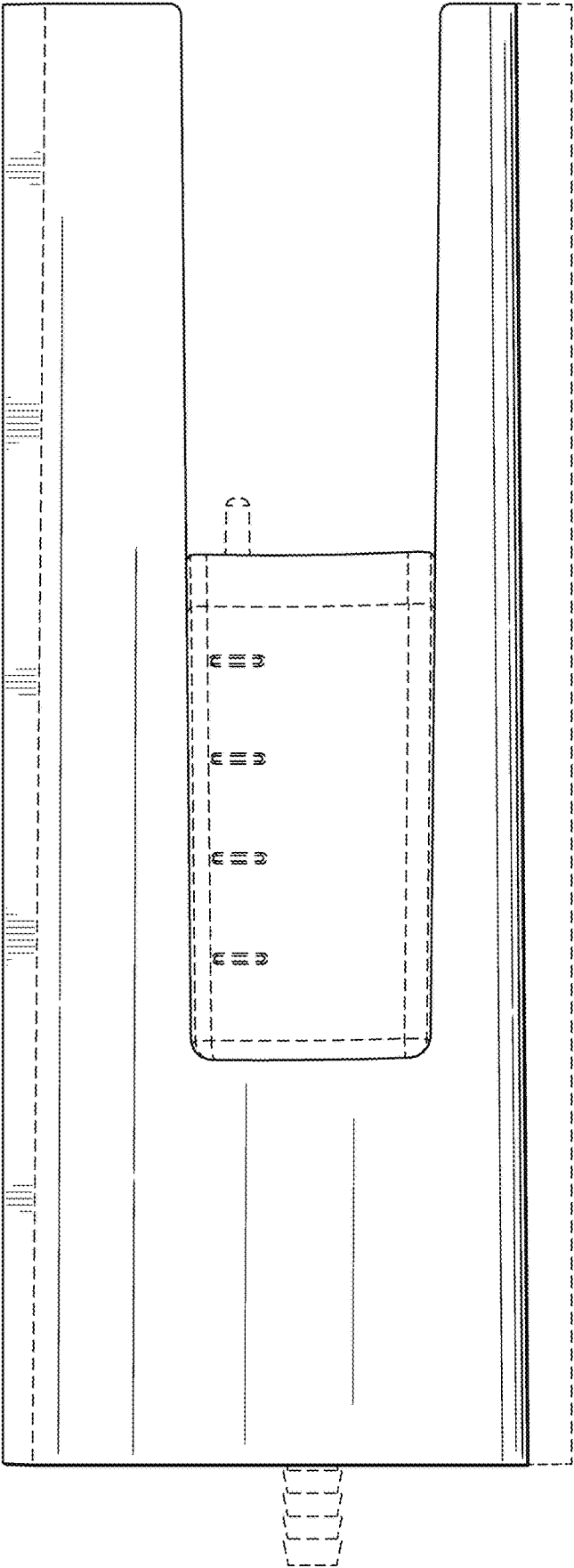


FIG. 9

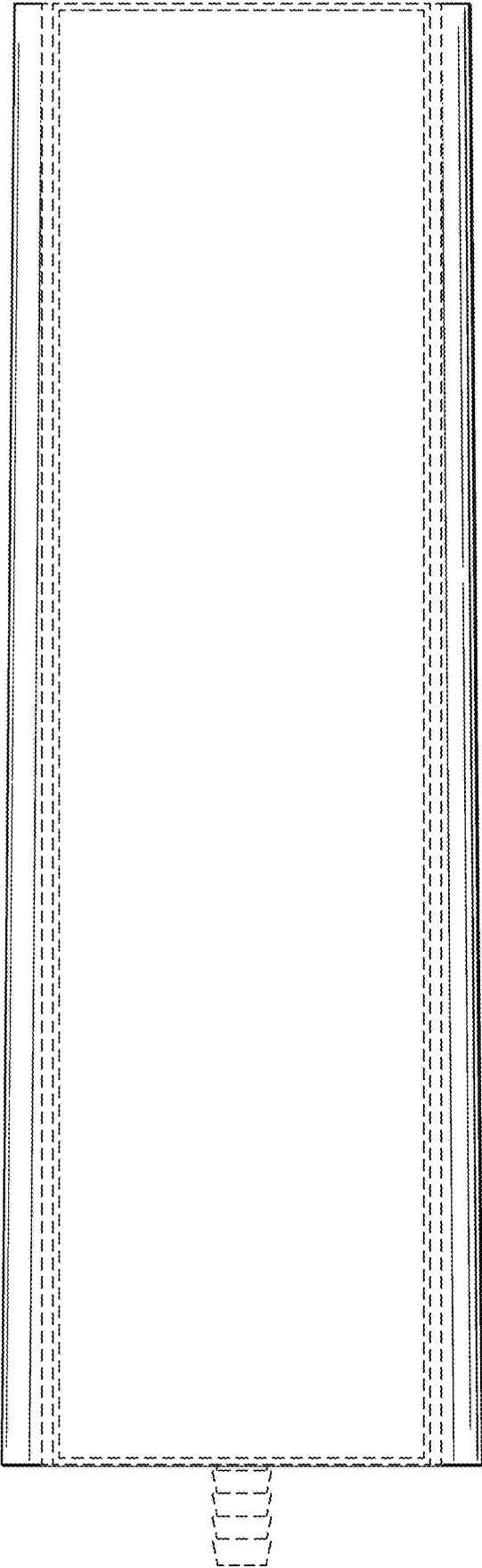


FIG. 10

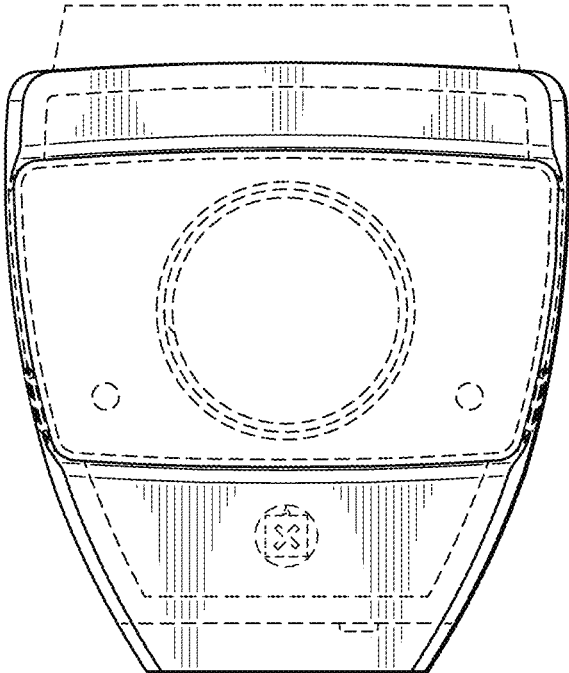


FIG. 11

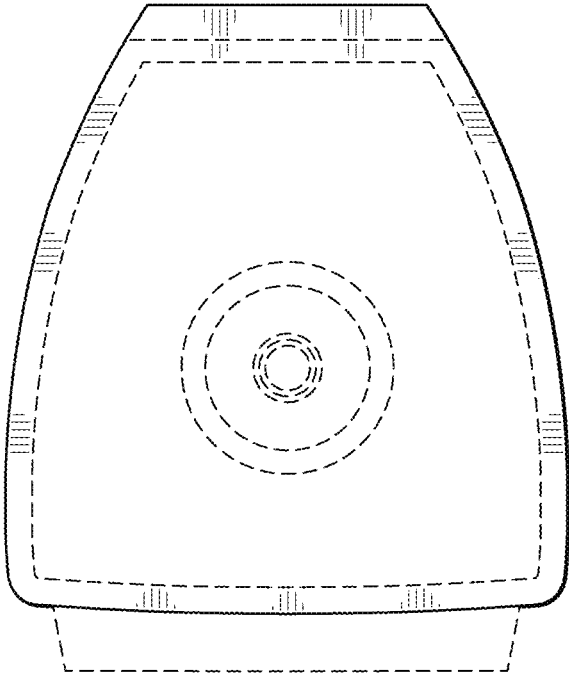


FIG. 12