



US00D835609S

(12) **United States Design Patent** (10) **Patent No.:** **US D835,609 S**
Kim et al. (45) **Date of Patent:** **** Dec. 11, 2018**

(54) **SPEAKER**

CPC ... H04R 9/06; H04R 7/12; H04R 1/02; H04R 5/02; H04M 1/035; H04M 1/03
See application file for complete search history.

(71) Applicant: **LG ELECTRONICS INC.**, Seoul (KR)

(56) **References Cited**

(72) Inventors: **Sangwook Kim**, Seoul (KR); **Misun Park**, Seoul (KR); **Jeonga Shin**, Seoul (KR); **Kyongtae Han**, Seoul (KR); **Seongyeong Park**, Seoul (KR); **Hiroshi Fujita**, Seoul (KR)

U.S. PATENT DOCUMENTS

D640,667	S	*	6/2011	Lee	D14/211
D687,813	S	*	8/2013	Lee	D14/211
9,052,076	B2	*	6/2015	Peters	F21S 10/00
D740,253	S	*	10/2015	Jeon	D14/204
D740,790	S	*	10/2015	Judd	D14/213
9,155,975	B2	*	10/2015	Capriola	H01R 33/92
D743,378	S	*	11/2015	Kim	D14/213
D749,059	S	*	2/2016	Hinokio	D14/216
D749,060	S	*	2/2016	Hinokio	D14/216
D761,228	S	*	7/2016	Cho	D14/204
D783,000	S	*	4/2017	Koo	D14/209.1
D793,996	S	*	8/2017	Katz	D14/224
D800,687	S	*	10/2017	Kim	D14/204
D801,308	S	*	10/2017	Ahn	D14/216
D804,444	S	*	12/2017	Ahn	D14/204
D817,923	S	*	5/2018	Hong	D14/211

(73) Assignee: **LG ELECTRONICS INC.**, Seoul (KR)

(**) Term: **15 Years**

(21) Appl. No.: **35/503,314**

* cited by examiner

(22) Filed: **Jan. 3, 2017**

(80) **Hague Agreement Data**

Primary Examiner — Melanie H Tung
Assistant Examiner — Bao-Yen T Nguyen
(74) *Attorney, Agent, or Firm* — Birch, Stewart, Kolasch & Birch, LLP

Int. Filing Date: **Jan. 3, 2017**

Int. Reg. No.: **DM/095241**

Int. Reg. Date: **Jan. 3, 2017**

Int. Reg. Pub. Date: **Jul. 7, 2017**

(57) **CLAIM**

The ornamental design for a speaker, as shown and described.

(30) **Foreign Application Priority Data**

DESCRIPTION

Jul. 5, 2016 (KR) 30-2016-0032799

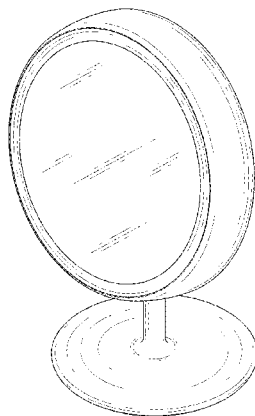
(51) **LOC (11) Cl.** **14-01**

(52) **U.S. Cl.**
USPC **D14/216**

(58) **Field of Classification Search**
USPC D14/167, 168, 170-172, 188, 194-196,
D14/204, 207, 209, 209.1, 210-216, 221,
D14/222, 224, 496

- 1. Speaker
- 1.1 : Perspective
- 1.2 : Front
- 1.3 : Back
- 1.4 : Left
- 1.5 : Right
- 1.6 : Top
- 1.7 : Bottom

(Continued)

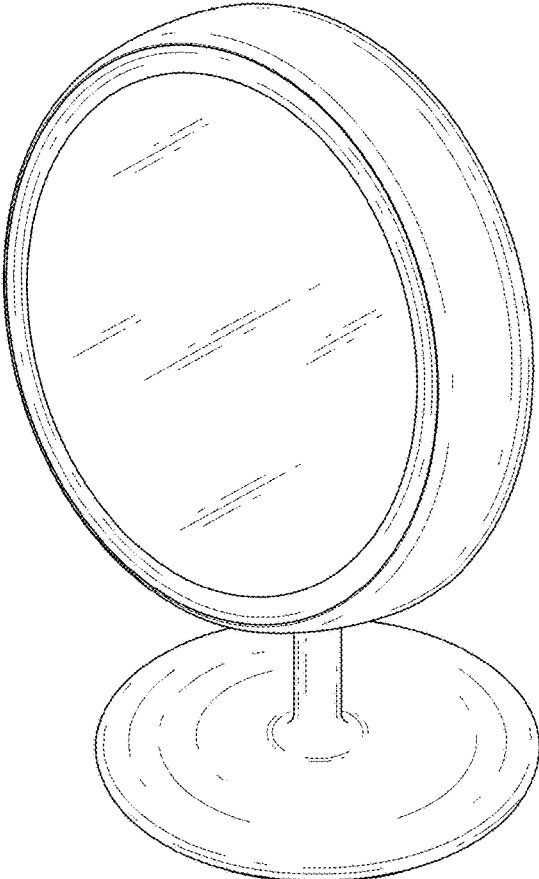


1.8 : Right side view showing the upper speaker portion in an alternate position

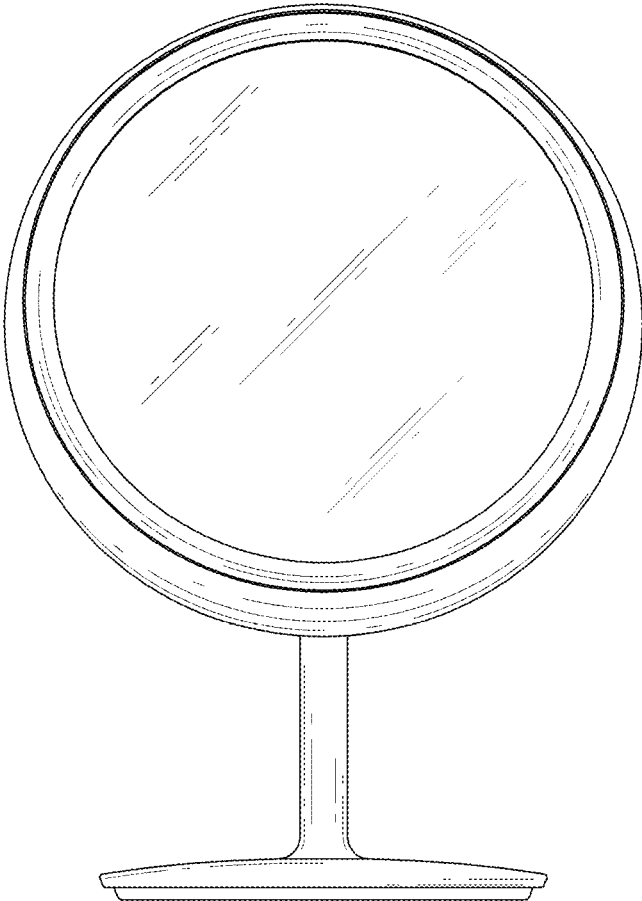
The broken lines shown in figure 1.7 depict portions of the speaker that form no part of the claimed design.

1 Claim, 7 Drawing Sheets

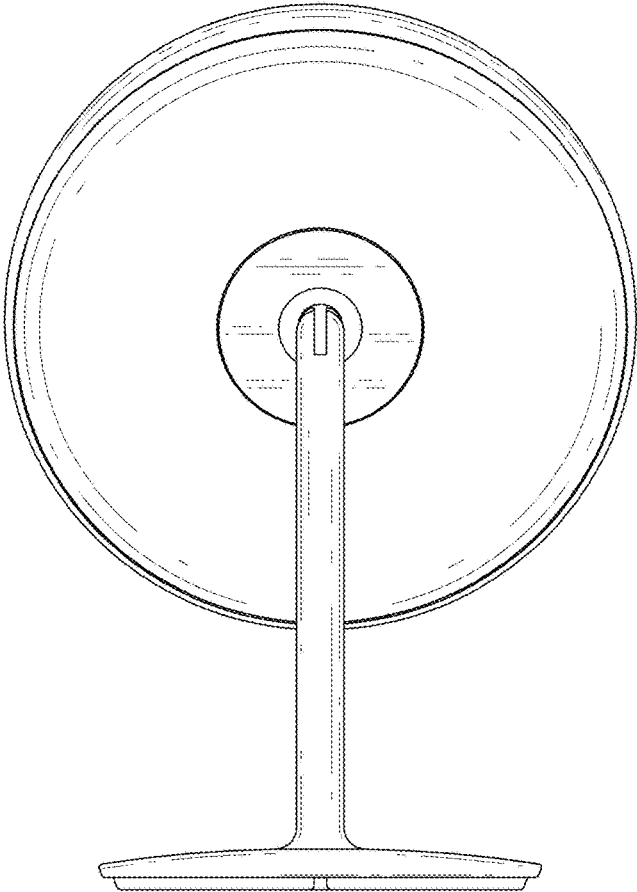
1.1



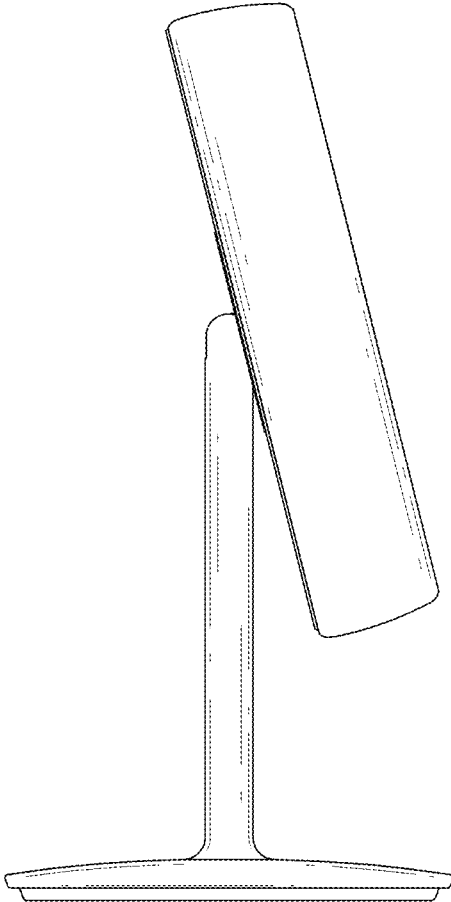
1.2



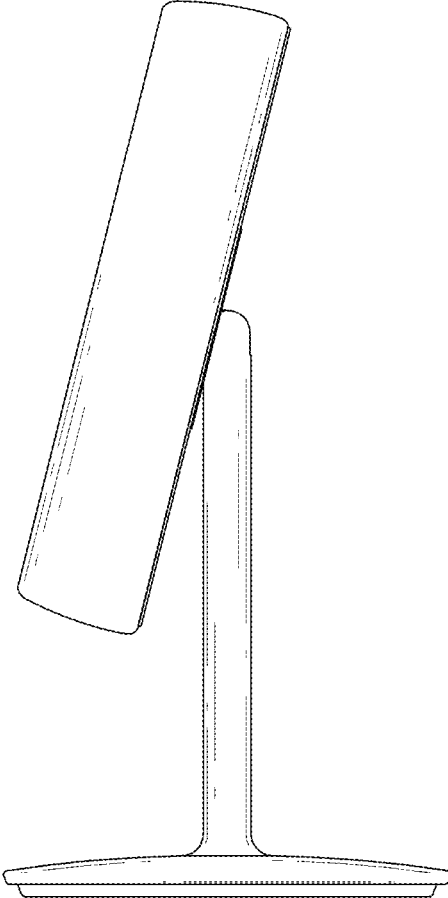
1.3



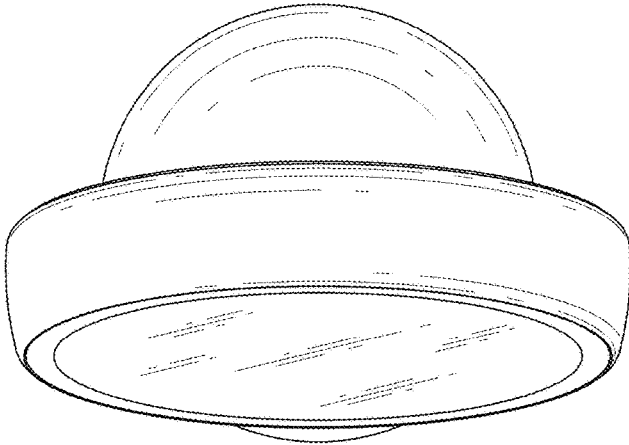
1.4



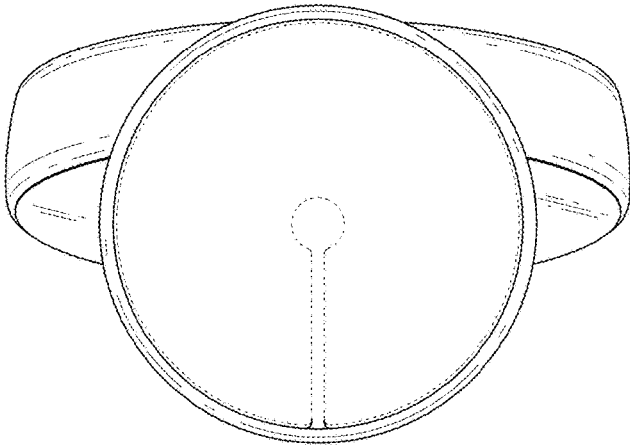
1.5



1.6



1.7



1.8

