

(19) World Intellectual Property Organization
International Bureau



(43) International Publication Date
20 September 2001 (20.09.2001)

PCT

(10) International Publication Number
WO 01/069202 A3

(51) International Patent Classification⁷: G01N 15/12, 15/14

CZ, DE, DK, DM, DZ, EE, ES, FI, GB, GD, GE, GH, GM, HR, HU, ID, IL, IN, IS, JP, KE, KG, KP, KR, KZ, LC, LK, LR, LS, LT, LU, LV, MA, MD, MG, MK, MN, MW, MX, MZ, NO, NZ, PL, PT, RO, RU, SD, SE, SG, SI, SK, SL, TJ, TM, TR, TT, TZ, UA, UG, US, UZ, VN, YU, ZA, ZW.

(21) International Application Number: PCT/EP01/02855

(22) International Filing Date: 14 March 2001 (14.03.2001)

(25) Filing Language: English

(84) Designated States (regional): ARIPO patent (GH, GM, KE, LS, MW, MZ, SD, SL, SZ, TZ, UG, ZW), Eurasian patent (AM, AZ, BY, KG, KZ, MD, RU, TJ, TM), European patent (AT, BE, CH, CY, DE, DK, ES, FI, FR, GB, GR, IE, IT, LU, MC, NL, PT, SE, TR), OAPI patent (BF, BJ, CF, CG, CI, CM, GA, GN, GW, ML, MR, NE, SN, TD, TG).

(26) Publication Language: English

(30) Priority Data:
2000-00425 16 March 2000 (16.03.2000) DK

Published:
— with international search report

(71) Applicant and
(72) Inventor: LARSEN, Ulrik, Darling [DK/DK]; Kongevejen 191A, DK-2840 Holte (DK).

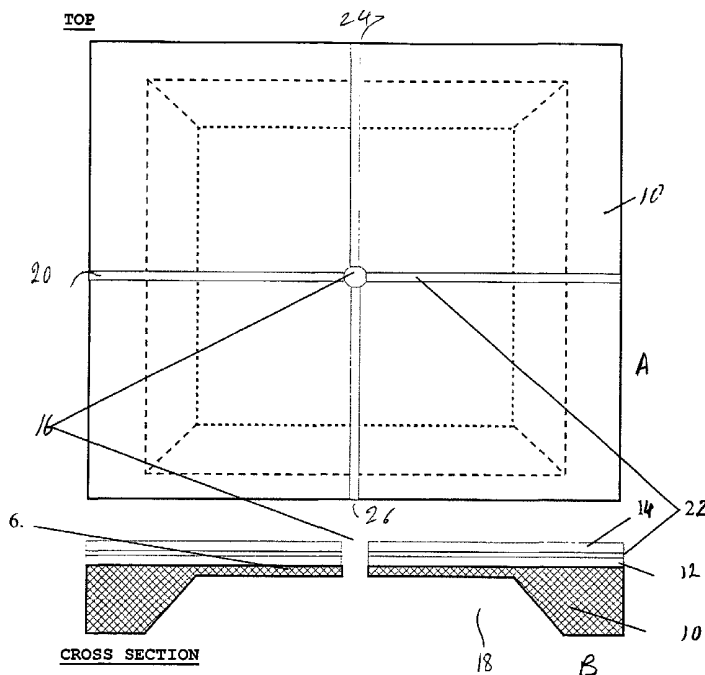
(88) Date of publication of the international search report:
1 August 2002

(74) Agent: ALBIHNS A/S; H.C. Andersens Boulevard 49, DK-1553 Copenhagen V (DK).

(81) Designated States (national): AE, AG, AL, AM, AT, AU, AZ, BA, BB, BG, BR, BY, BZ, CA, CH, CN, CO, CR, CU,

For two-letter codes and other abbreviations, refer to the "Guidance Notes on Codes and Abbreviations" appearing at the beginning of each regular issue of the PCT Gazette.

(54) Title: SENSOR UNITS FOR PARTICLE CHARACTERISATION APPARATUS



WO 01/069202 A3

(57) Abstract: A sensor unit for a particle characterisation apparatus such as a flow cytometer comprises a membrane (10) having an orifice defining a passageway (16) through the thickness of the membrane and at least two optical waveguides (20, 22) within the thickness of the membrane and extending radially from said orifice.

INTERNATIONAL SEARCH REPORT

International Application No

PC/EP 01/02855

A. CLASSIFICATION OF SUBJECT MATTER

IPC 7 G01N15/12 G01N15/14

According to International Patent Classification (IPC) or to both national classification and IPC

B. FIELDS SEARCHED

Minimum documentation searched (classification system followed by classification symbols)

IPC 7 G01N

Documentation searched other than minimum documentation to the extent that such documents are included in the fields searched

Electronic data base consulted during the international search (name of data base and, where practical, search terms used)

EPO-Internal, PAJ

C. DOCUMENTS CONSIDERED TO BE RELEVANT

Category °	Citation of document, with indication, where appropriate, of the relevant passages	Relevant to claim No.
Y	US 5 362 653 A (CARR ROBERT J G ET AL) 8 November 1994 (1994-11-08) column 6, line 18 -column 7, line 13 column 9, line 24-46 ---	1-5,8, 19,20
Y	WO 99 60379 A (MICROBIAL SYSTEMS LTD ;WOOD MICHAEL ANTHONY (GB)) 25 November 1999 (1999-11-25) page 7, paragraph 2 page 8, last paragraph -page 9, paragraph 1 ---	1-5,8, 19,20
A	US 4 710 021 A (VON BEHRENS WIELAND E) 1 December 1987 (1987-12-01) abstract; figure 6 --- -/--	1,19,20

Further documents are listed in the continuation of box C.

Patent family members are listed in annex.

° Special categories of cited documents :

- "A" document defining the general state of the art which is not considered to be of particular relevance
- "E" earlier document but published on or after the international filing date
- "L" document which may throw doubts on priority claim(s) or which is cited to establish the publication date of another citation or other special reason (as specified)
- "O" document referring to an oral disclosure, use, exhibition or other means
- "P" document published prior to the international filing date but later than the priority date claimed

- "T" later document published after the international filing date or priority date and not in conflict with the application but cited to understand the principle or theory underlying the invention
- "X" document of particular relevance; the claimed invention cannot be considered novel or cannot be considered to involve an inventive step when the document is taken alone
- "Y" document of particular relevance; the claimed invention cannot be considered to involve an inventive step when the document is combined with one or more other such documents, such combination being obvious to a person skilled in the art.
- "&" document member of the same patent family

Date of the actual completion of the international search

11 October 2001

Date of mailing of the international search report

13.12.01

Name and mailing address of the ISA

European Patent Office, P.B. 5818 Patentlaan 2
NL - 2280 HV Rijswijk
Tel. (+31-70) 340-2040, Tx. 31 651 epo nl,
Fax: (+31-70) 340-3016

Authorized officer

Zinngrebe, U

INTERNATIONAL SEARCH REPORT

International Application No

PCT/EP 01/02855

C.(Continuation) DOCUMENTS CONSIDERED TO BE RELEVANT

Category °	Citation of document, with indication, where appropriate, of the relevant passages	Relevant to claim No.
A	WO 97 38318 A (CIBA GEIGY AG ;DANIGEL HARALD (CH); HASSLER MARTIN (CH)) 16 October 1997 (1997-10-16) page 1; figure 1 ---	1,19,20
A	US 3 910 702 A (CORLL JAMES A) 7 October 1975 (1975-10-07) column 3, line 42 -column 4, line 28 -----	1,19,20

INTERNATIONAL SEARCH REPORT

International application No.
PCT/EP 01/02855

Box I Observations where certain claims were found unsearchable (Continuation of item 1 of first sheet)

This International Search Report has not been established in respect of certain claims under Article 17(2)(a) for the following reasons:

1. Claims Nos.:
because they relate to subject matter not required to be searched by this Authority, namely:

2. Claims Nos.:
because they relate to parts of the International Application that do not comply with the prescribed requirements to such an extent that no meaningful International Search can be carried out, specifically:

3. Claims Nos.:
because they are dependent claims and are not drafted in accordance with the second and third sentences of Rule 6.4(a).

Box II Observations where unity of invention is lacking (Continuation of item 2 of first sheet)

This International Searching Authority found multiple inventions in this international application, as follows:

see additional sheet

1. As all required additional search fees were timely paid by the applicant, this International Search Report covers all searchable claims.
2. As all searchable claims could be searched without effort justifying an additional fee, this Authority did not invite payment of any additional fee.
3. As only some of the required additional search fees were timely paid by the applicant, this International Search Report covers only those claims for which fees were paid, specifically claims Nos.:
4. No required additional search fees were timely paid by the applicant. Consequently, this International Search Report is restricted to the invention first mentioned in the claims; it is covered by claims Nos.:

1-16,19-23 depending from 1-16

Remark on Protest

- The additional search fees were accompanied by the applicant's protest.
- No protest accompanied the payment of additional search fees.

FURTHER INFORMATION CONTINUED FROM PCT/ISA/ 210

This International Searching Authority found multiple (groups of) inventions in this international application, as follows:

1. Claims: 1-16,19-23 depending from 1-16

Sensor unit with integral waveguides

2. Claims: 17-18,19 depending from 17-18,24,25

Sensor unit with hydrodynamic focusing

INTERNATIONAL SEARCH REPORT

Information on patent family members

International Application No

EP 01/02855

Patent document cited in search report		Publication date	Patent family member(s)	Publication date
US 5362653	A	08-11-1994	AT 152250 T	15-05-1997
			AU 6431090 A	18-04-1991
			DE 69030581 D	28-05-1997
			DE 69030581 T	11-09-1997
			EP 0497788 A	12-08-1992
			WO 9104507 A	04-04-1991
			ZA 9007284 A	31-07-1991

WO 9960379	A	25-11-1999	AU 3943899 A	06-12-1999
			EP 1080363 A	07-03-2001
			GB 2337584 A	24-11-1999

US 4710021	A	01-12-1987	DE 3437519 A	25-04-1985
			JP 1822792 C	10-02-1994
			JP 5019097 B	15-03-1993
			JP 60143742 A	30-07-1985

WO 9738318	A	16-10-1997	AU 2290897 A	29-10-1997
			EP 0891555 A	20-01-1999

US 3910702	A	07-10-1975	NONE	
