



US00D747386S

(12) **United States Design Patent**
Li

(10) **Patent No.:** **US D747,386 S**

(45) **Date of Patent:** **** Jan. 12, 2016**

(54) **CAR CAMERA**

(71) Applicant: **Getac Technology Corporation**,
Hsinchu County (TW)

(72) Inventor: **Chun-Hsing Li**, Taipei (TW)

(73) Assignee: **GETAC TECHNOLOGY CORPORATION**, Hsinchu County (TW)

(**) Term: **14 Years**

(21) Appl. No.: **29/511,554**

(22) Filed: **Dec. 11, 2014**

(51) **LOC (10) Cl.** **16-01**

(52) **U.S. Cl.**

USPC **D16/208**

(58) **Field of Classification Search**

USPC D16/200, 202-204, 206-208, 211-212,
D16/218, 219; D12/193, 400; 248/187.1;
348/14.01-14.6, 143, 148, 151,
348/373-376; 396/419, 427, 428, 535,
396/539-541

CPC G03B 17/02; G03B 19/04; G03B 17/56;
G03B 17/04; G03B 15/03; H04N 5/2251;
H04N 5/2252; H04N 5/2253; H04N 5/2254;
H04N 2101/00; H04N 2007/145; H04N 7/141;
H04N 7/142; H04N 7/147; H04N 7/148;
H04N 7/15; H04N 7/152

See application file for complete search history.

(56) **References Cited**

U.S. PATENT DOCUMENTS

D559,882 S * 1/2008 Nakamura D16/218
D566,148 S * 4/2008 Akita D16/202
D581,960 S * 12/2008 Kim D16/218
7,500,794 B1 * 3/2009 Clark G03B 17/00
348/143
D624,106 S * 9/2010 Cho D16/203
D629,031 S * 12/2010 Su D16/202

(Continued)

Primary Examiner — Adir Aronovich

Assistant Examiner — Ramzi Almatrahi

(74) *Attorney, Agent, or Firm* — Locke Lord LLP; Tim Tingkang Xia, Esq.

(57) **CLAIM**

The ornamental design for a car camera, as shown and described.

DESCRIPTION

FIG. 1 is a top, front and right side perspective view of a car camera showing my new design;

FIG. 2 is a bottom, rear and left side perspective view thereof;

FIG. 3 is a front elevation view thereof;

FIG. 4 is a rear elevation view thereof;

FIG. 5 is a left side elevation view thereof;

FIG. 6 is a right side elevation view thereof;

FIG. 7 is a top plan view thereof;

FIG. 8 is a bottom plan view thereof;

FIG. 9 is a top, front and right side perspective view of a second embodiment of a car camera showing my new design;

FIG. 10 is a bottom, rear and left side perspective view thereof;

FIG. 11 is a front elevation view thereof;

FIG. 12 is a rear elevation view thereof;

FIG. 13 is a left side elevation view thereof;

FIG. 14 is a right side elevation view thereof;

FIG. 15 is a top plan view thereof;

FIG. 16 is a bottom plan view thereof;

FIG. 17 is a top, front and right side perspective view of a third embodiment of a car camera showing my new design;

FIG. 18 is a bottom, rear and left side perspective view thereof;

FIG. 19 is a front elevation view thereof;

FIG. 20 is a rear elevation view thereof;

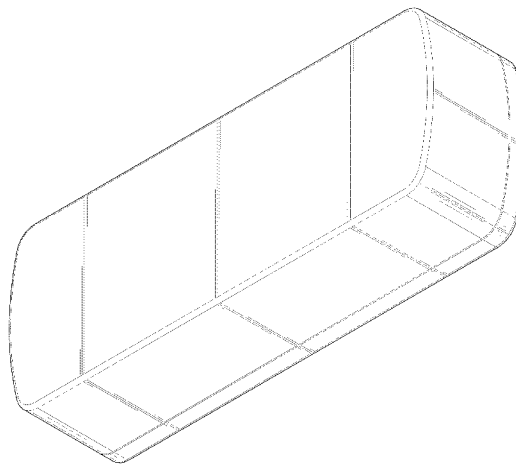
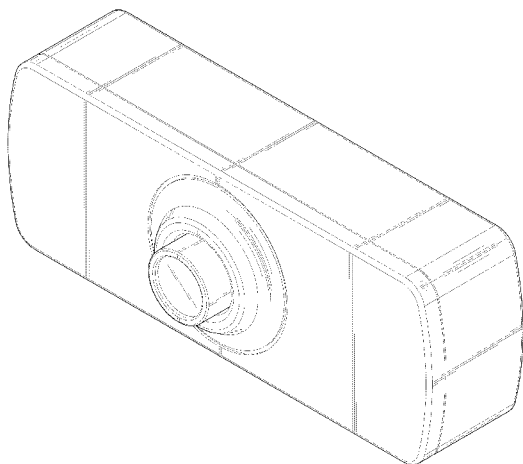
FIG. 21 is a left side elevation view thereof;

FIG. 22 is a right side elevation view thereof;

FIG. 23 is a top plan view thereof; and,

FIG. 24 is a bottom plan view thereof.

1 Claim, 21 Drawing Sheets



(56)

References Cited

U.S. PATENT DOCUMENTS

D631,497 S *	1/2011	Han	D16/202					348/373		
D632,718 S *	2/2011	Tzeng	D16/202							
D641,388 S *	7/2011	Shih	D16/202							
D660,338 S *	5/2012	Chen	D16/202							
D664,579 S *	7/2012	Tzeng	D16/202							
D680,569 S *	4/2013	Lee	D16/202							
8,593,567 B2 *	11/2013	Xiao	H04N	5/2251						
						D698,380 S *	1/2014	Fletcher	D16/202	
						D705,337 S *	5/2014	Tani	D16/219	
						D711,451 S *	8/2014	Katsuyama	D16/208	
						D741,930 S *	10/2015	Kwon	D16/202	
						2010/0129070 A1 *	5/2010	Balasundaramohan	G03B	17/00	
										396/419	
						2013/0107110 A1 *	5/2013	Park	H04N	5/2252
											348/373

* cited by examiner

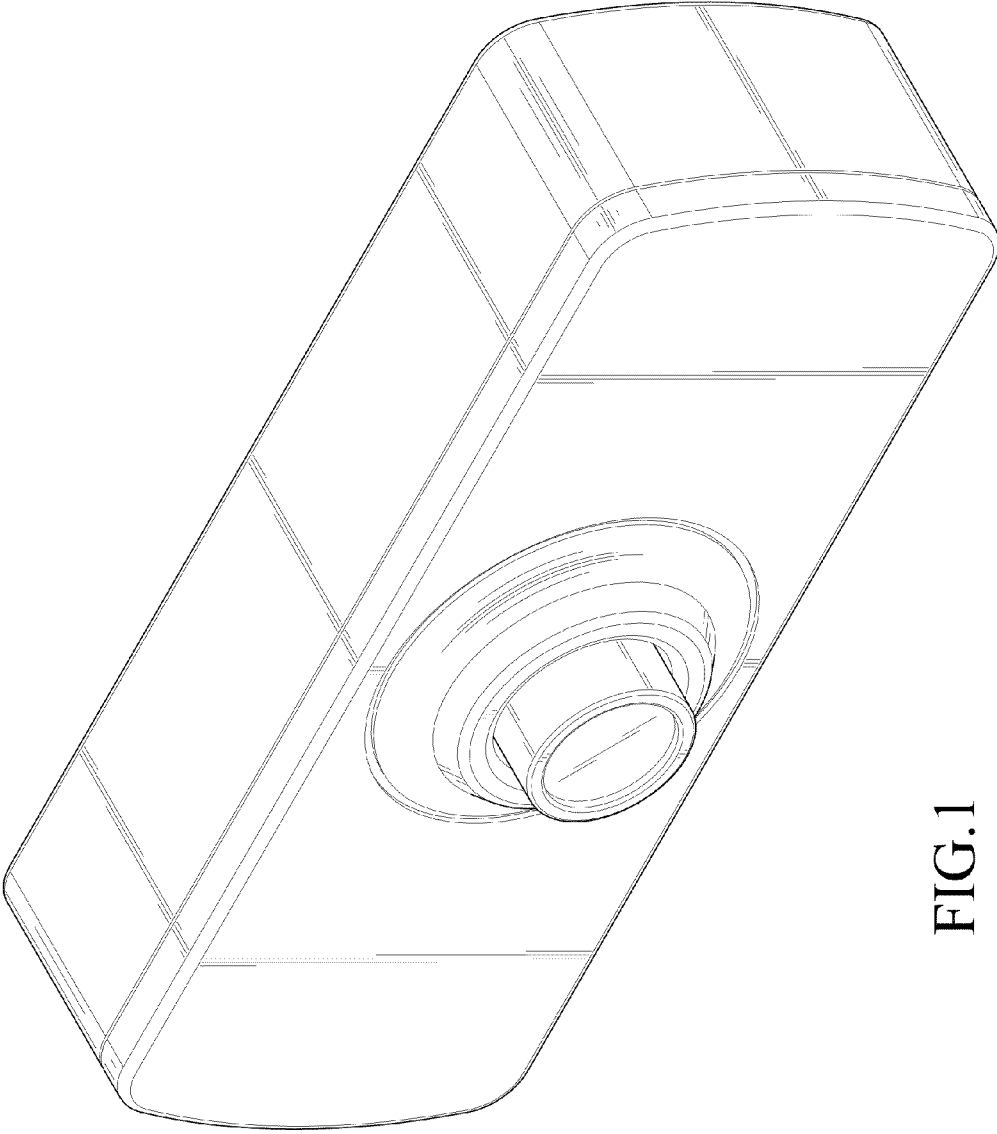


FIG.1

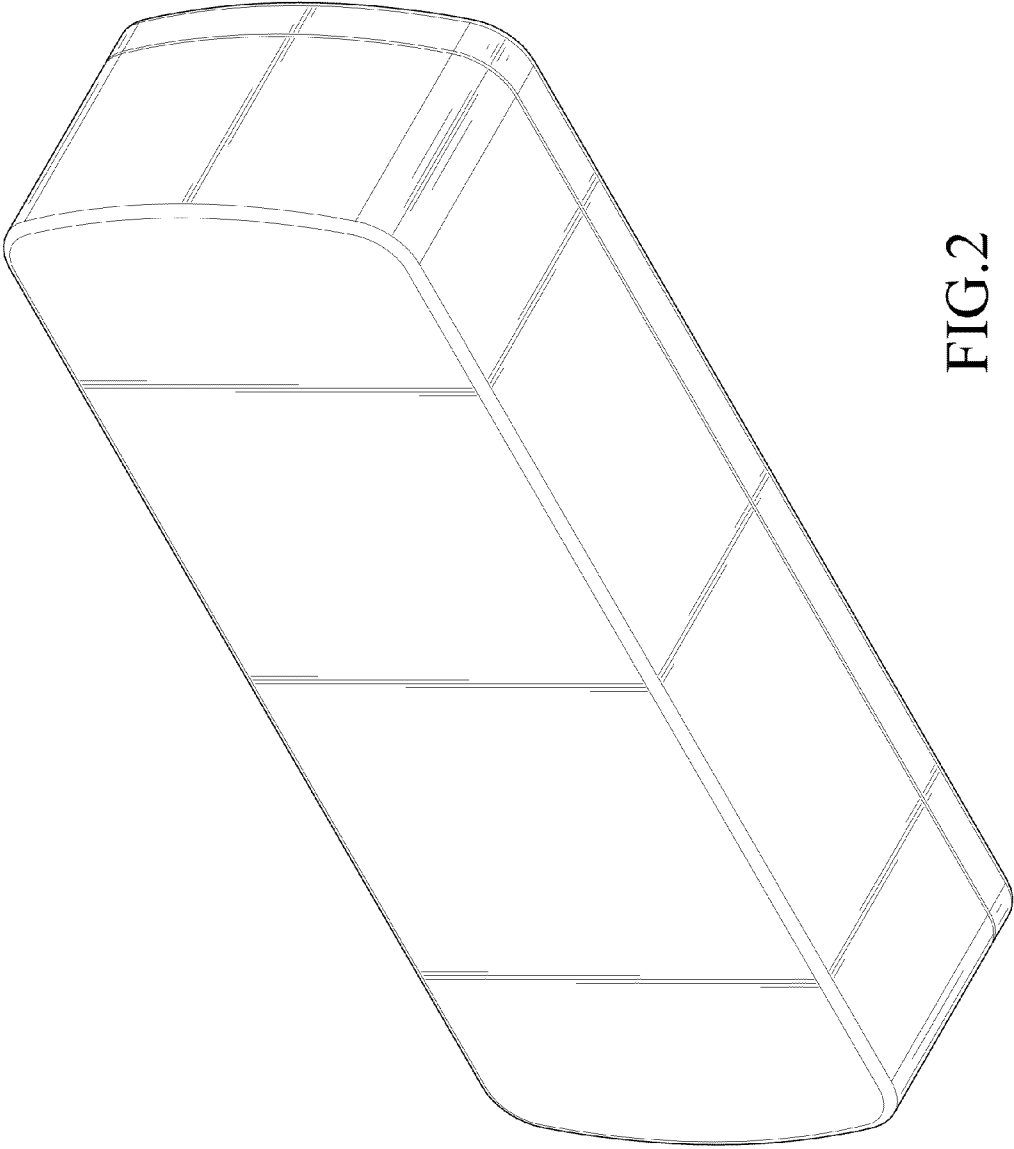


FIG.2

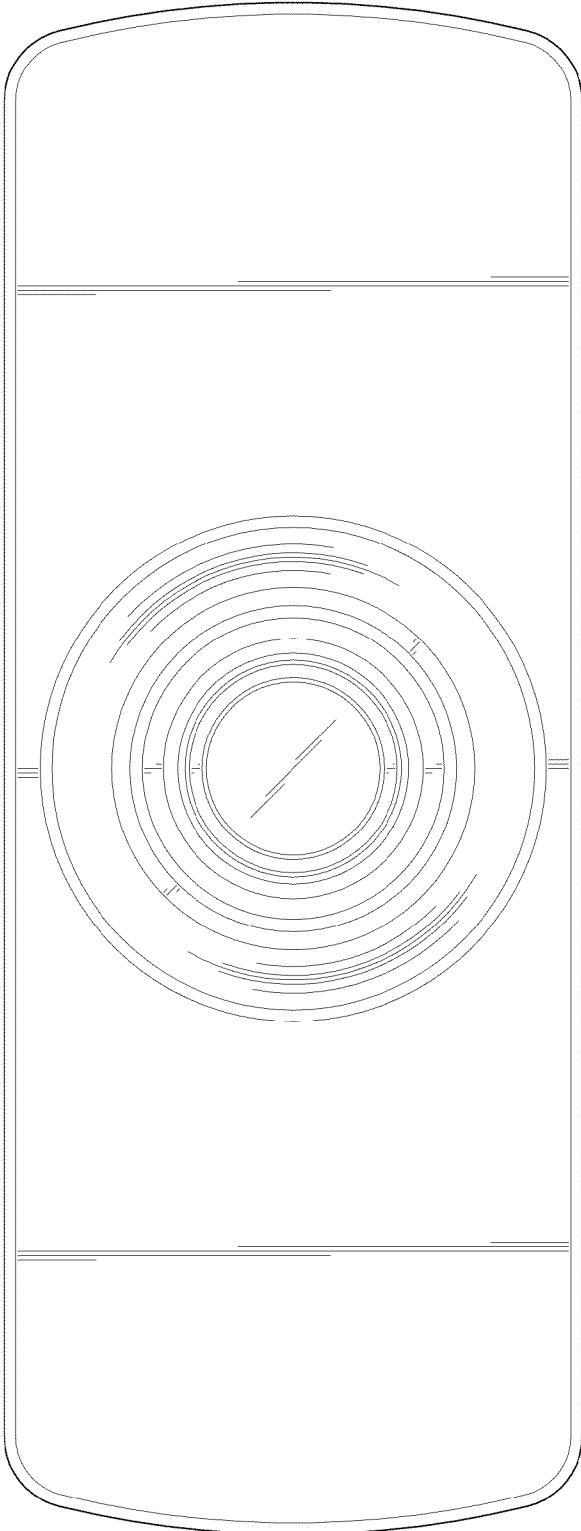


FIG.3

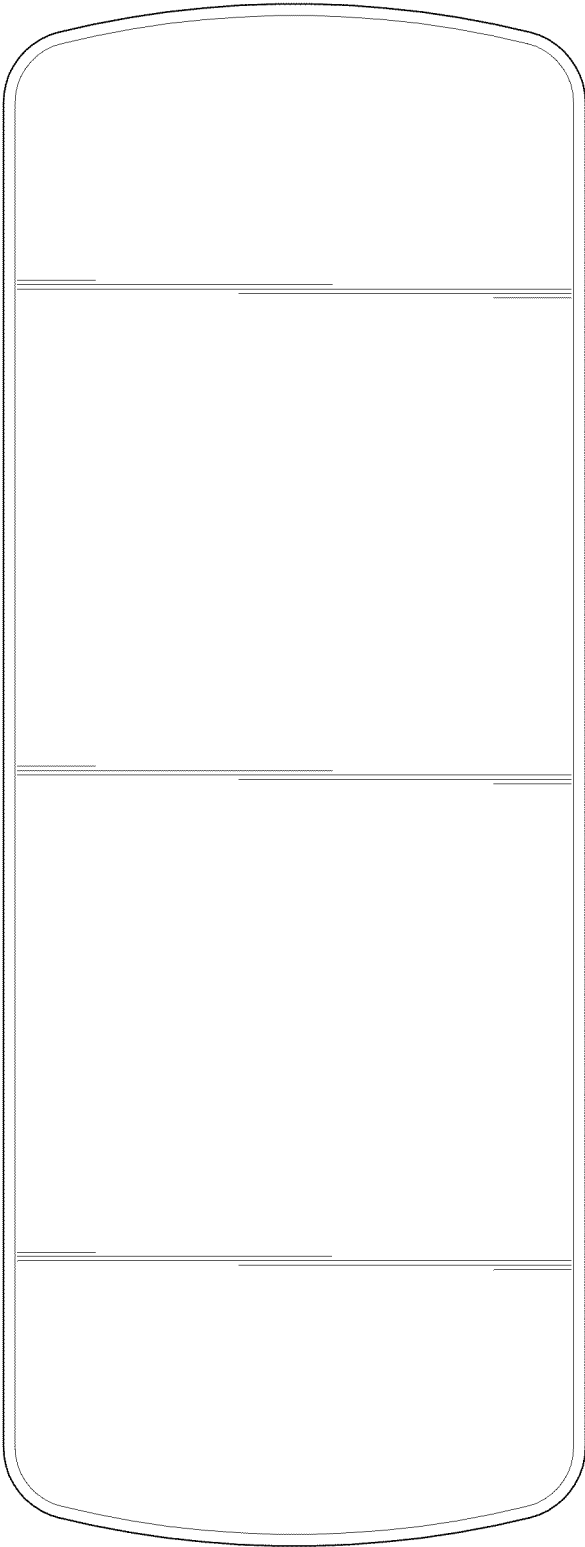


FIG.4

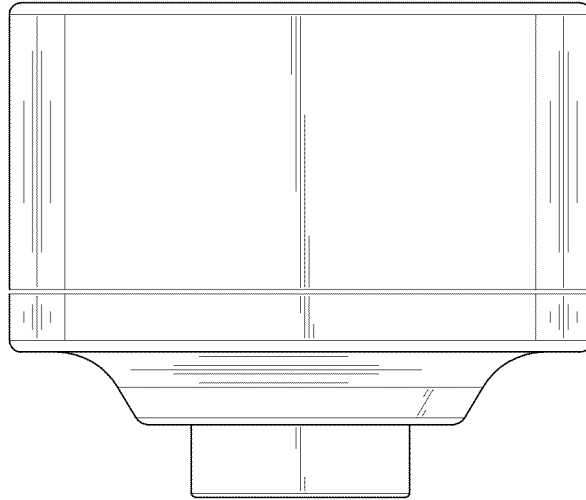


FIG.6

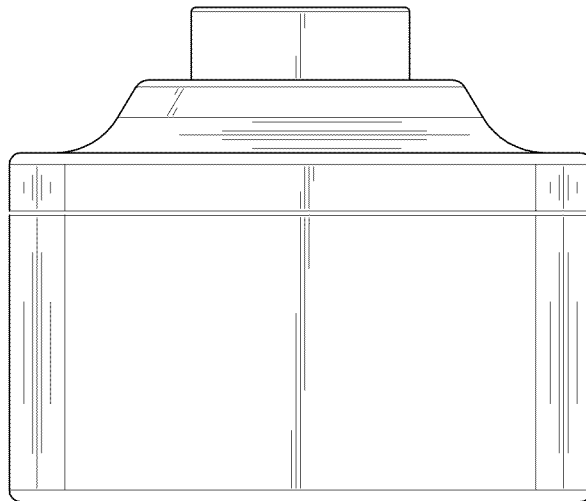


FIG.5

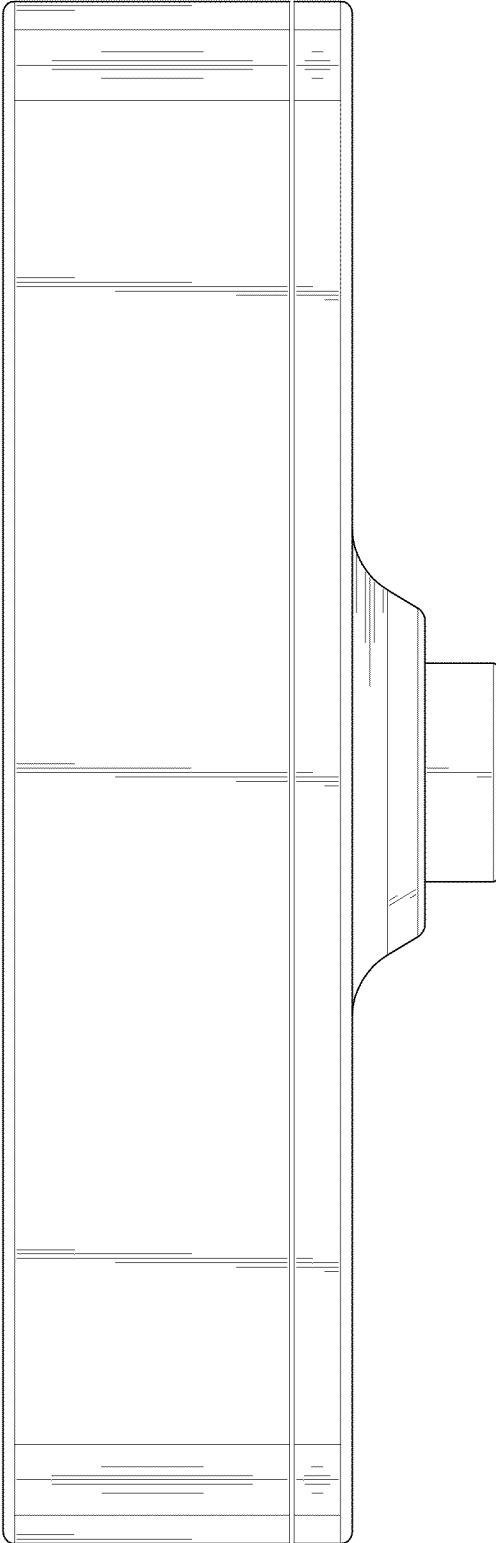


FIG. 7

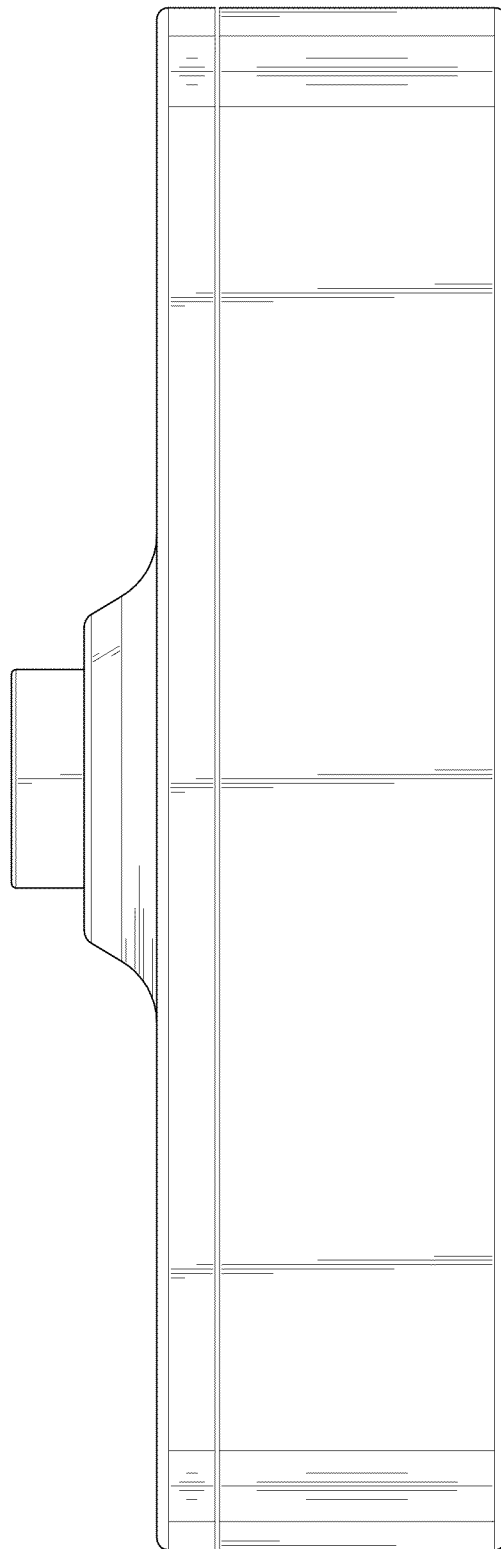


FIG. 8

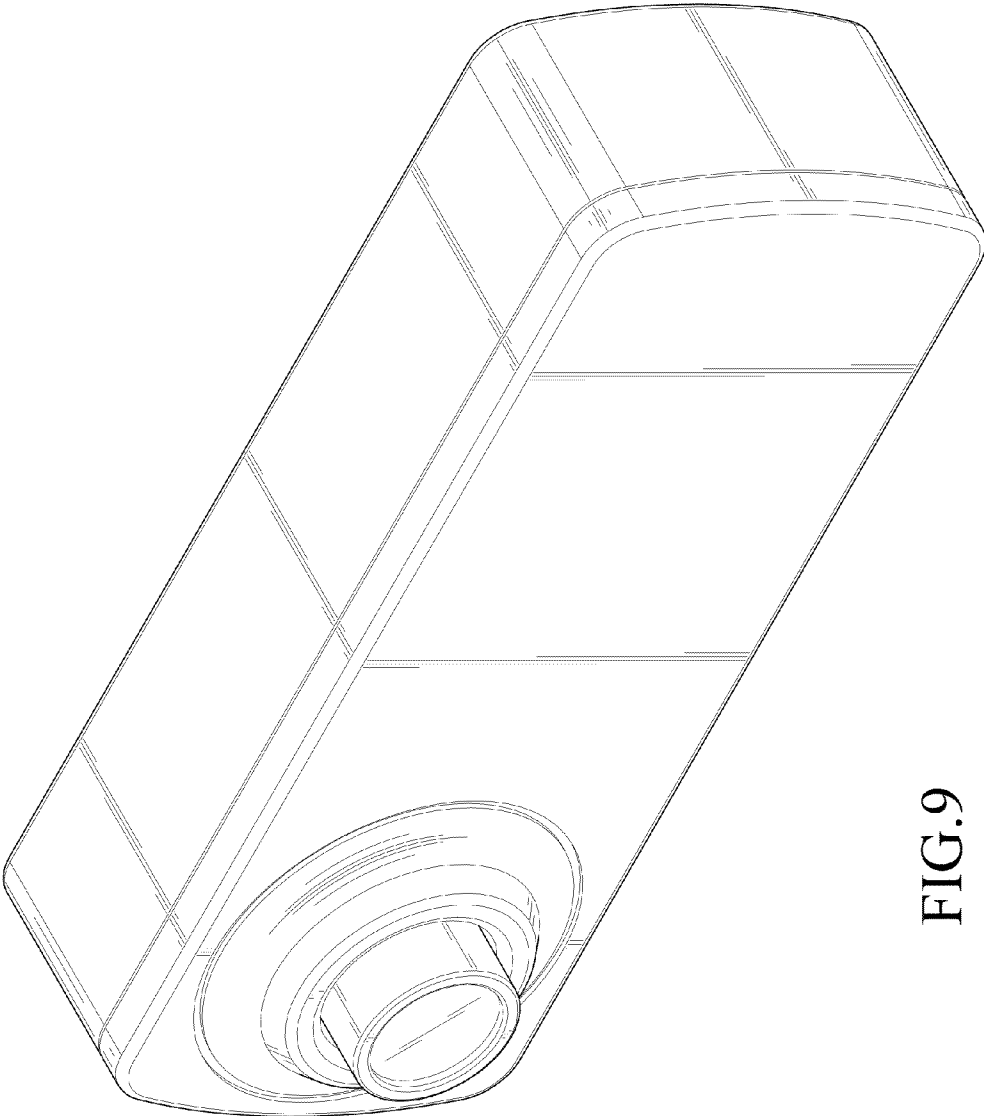


FIG.9

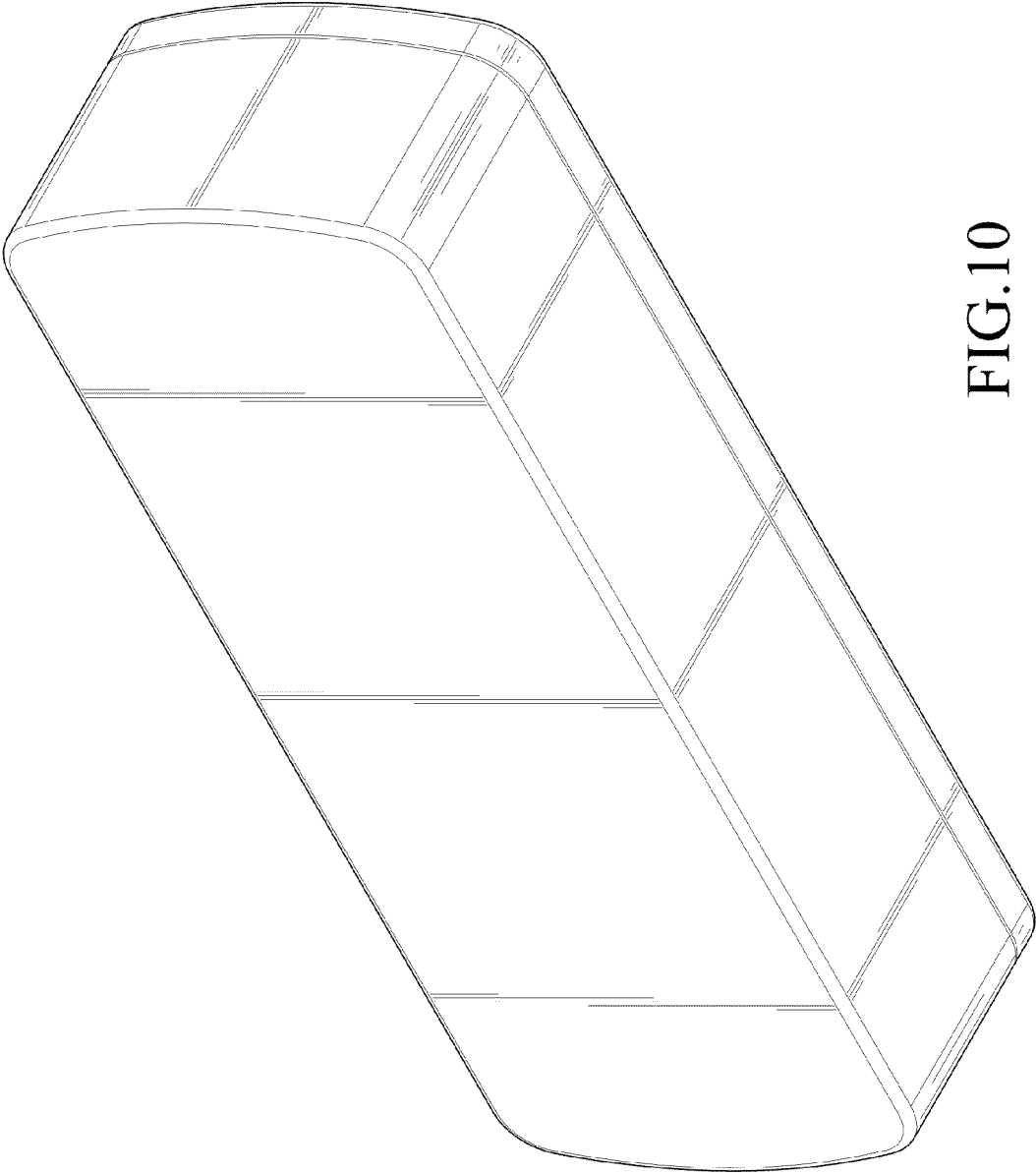


FIG.10

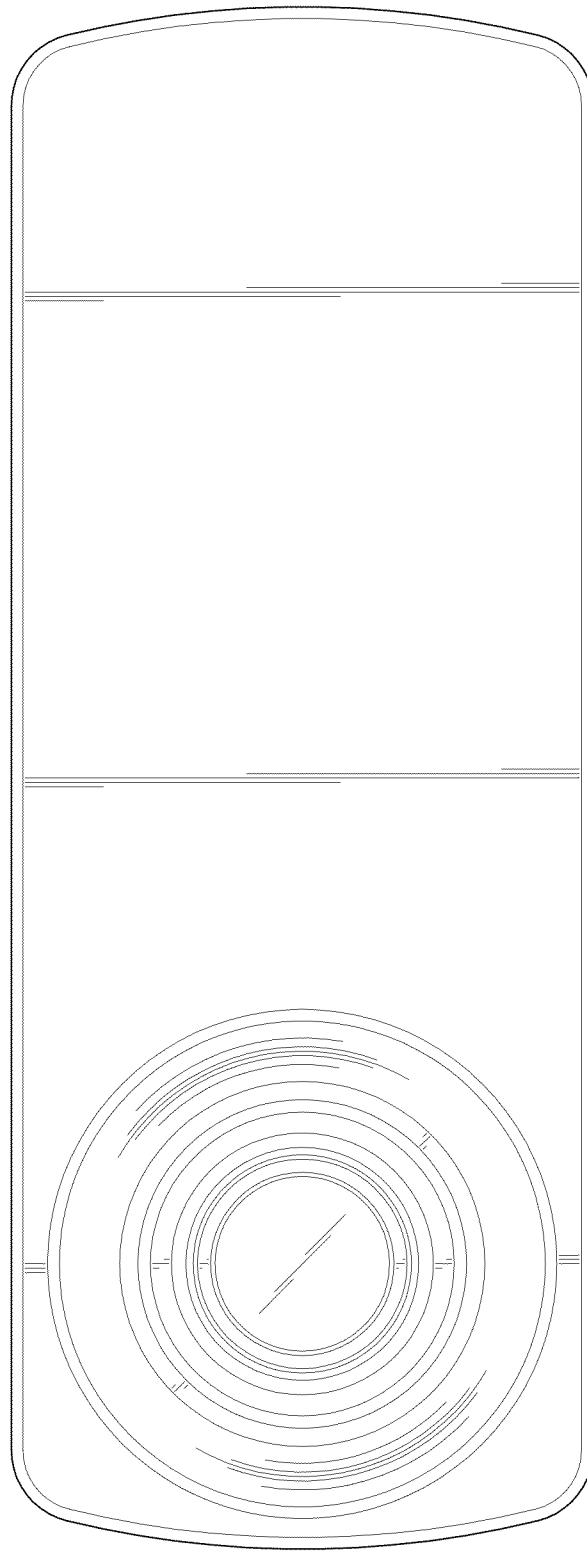


FIG.11

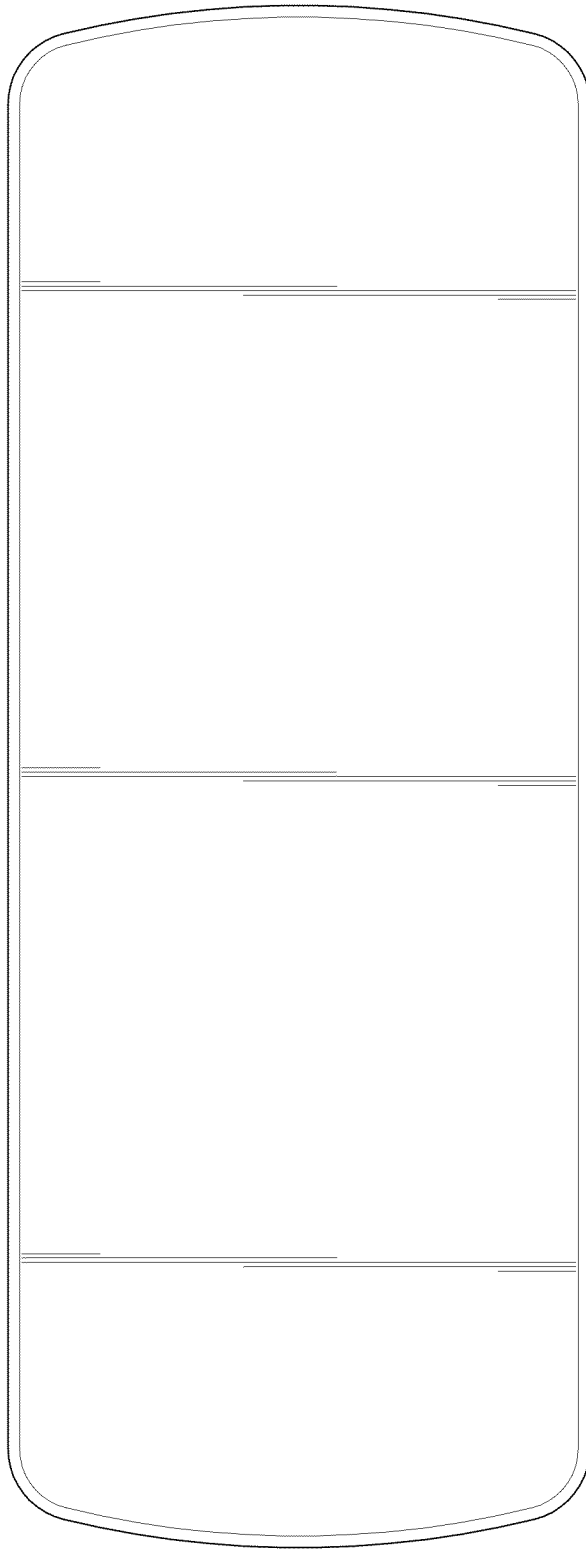


FIG.12

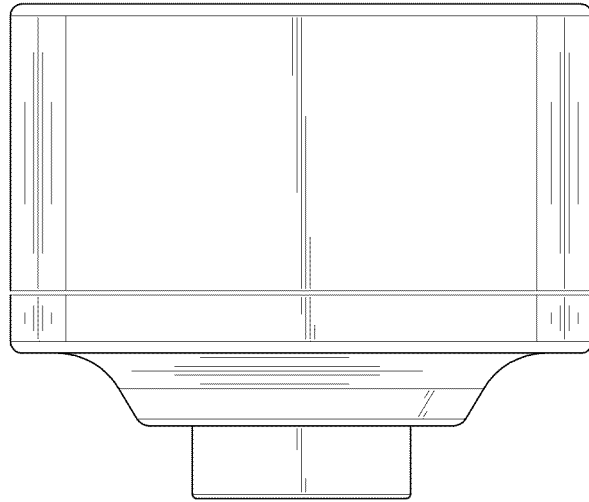


FIG.14

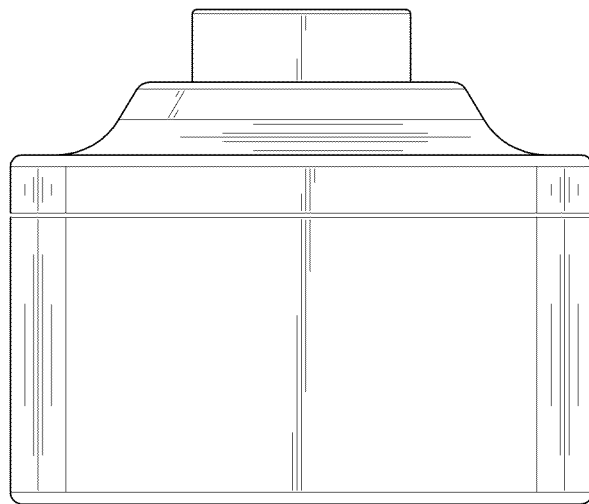


FIG.13

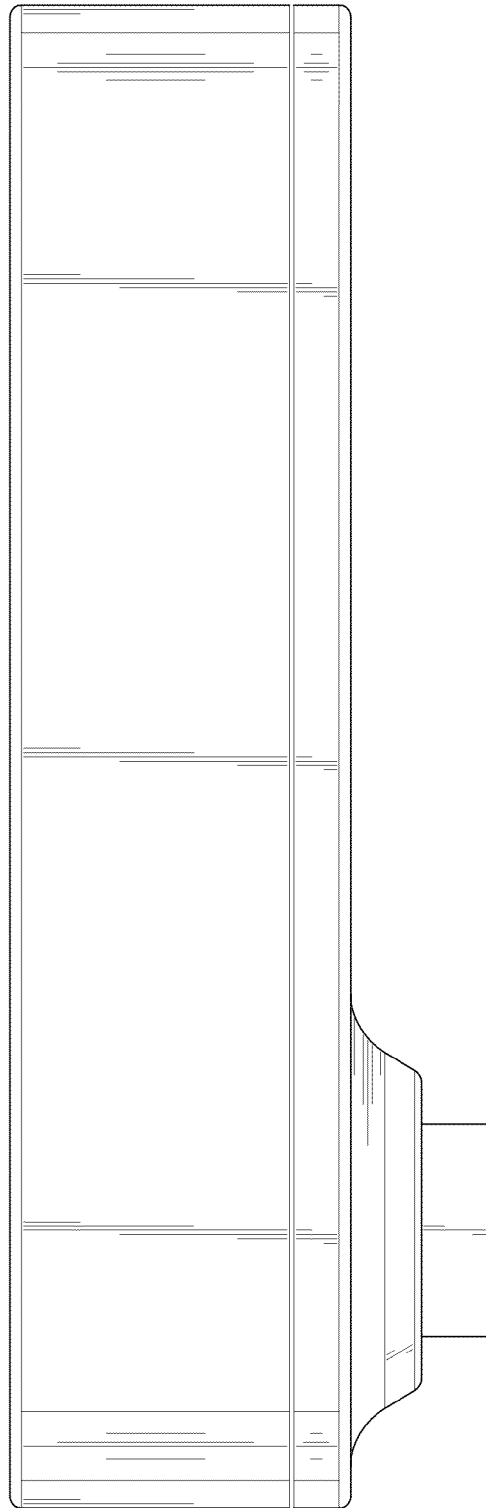


FIG. 15

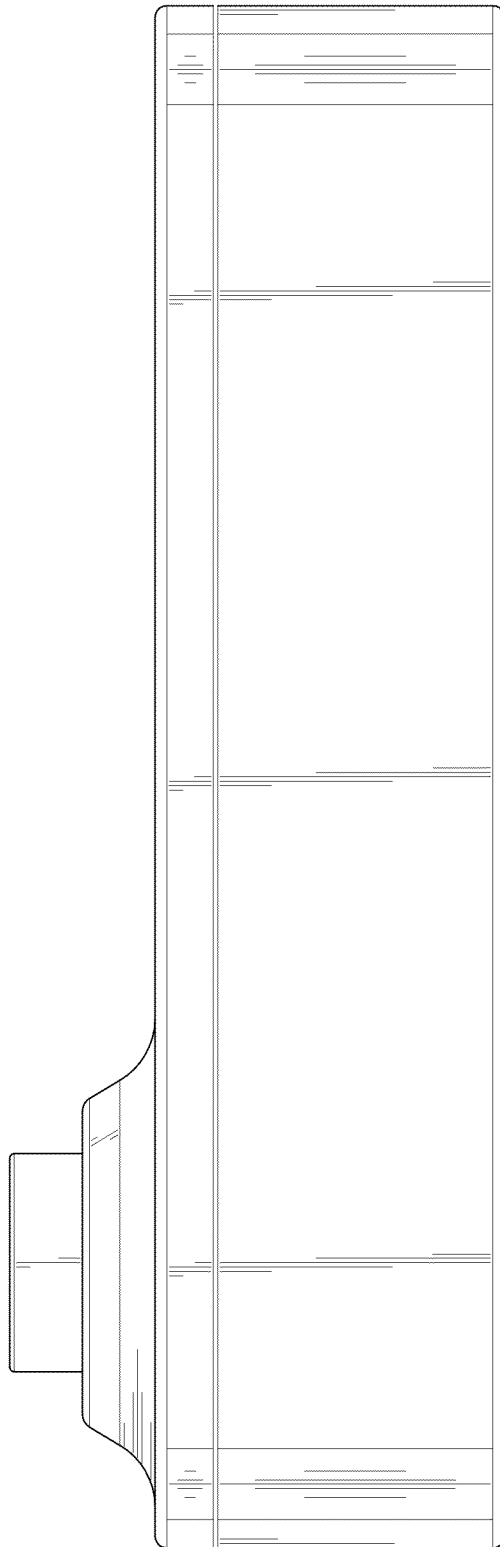


FIG.16

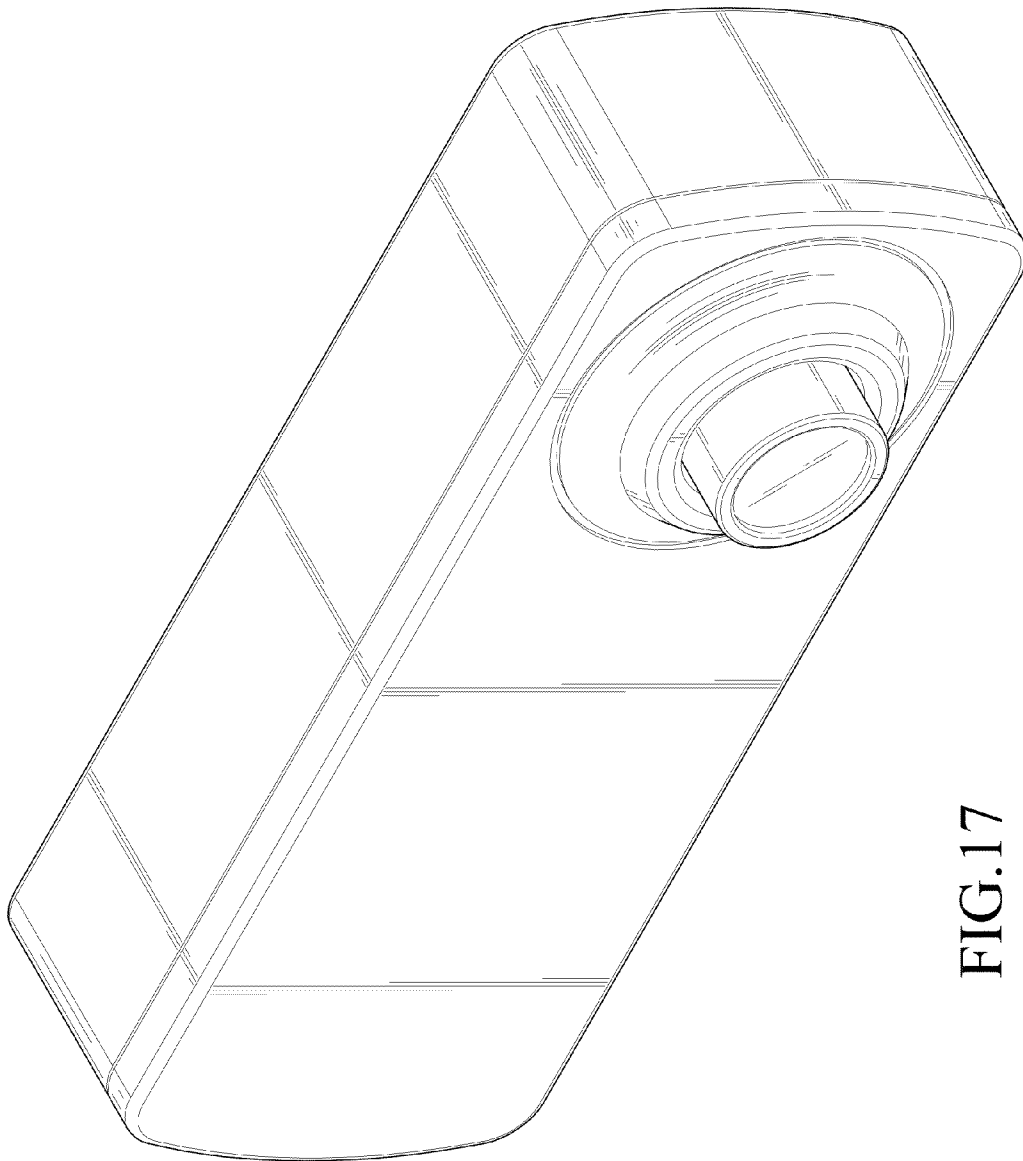


FIG.17

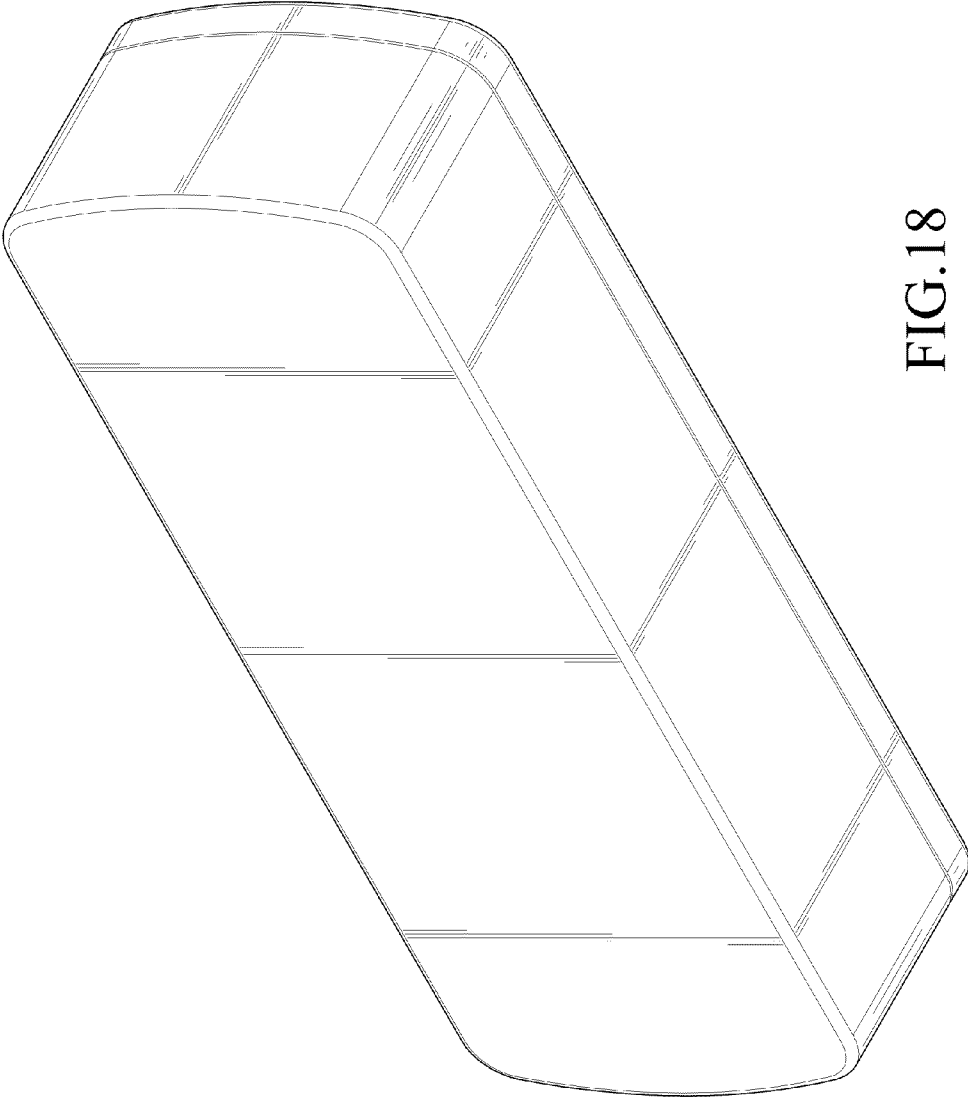


FIG.18

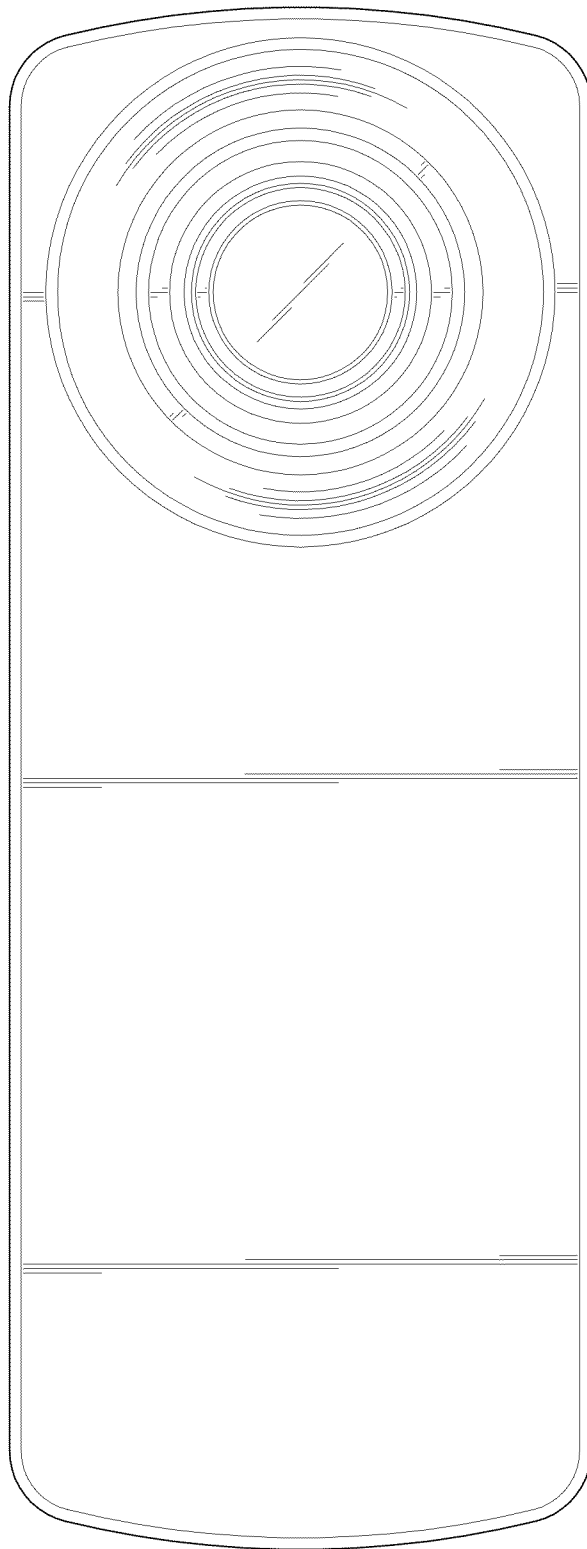


FIG.19

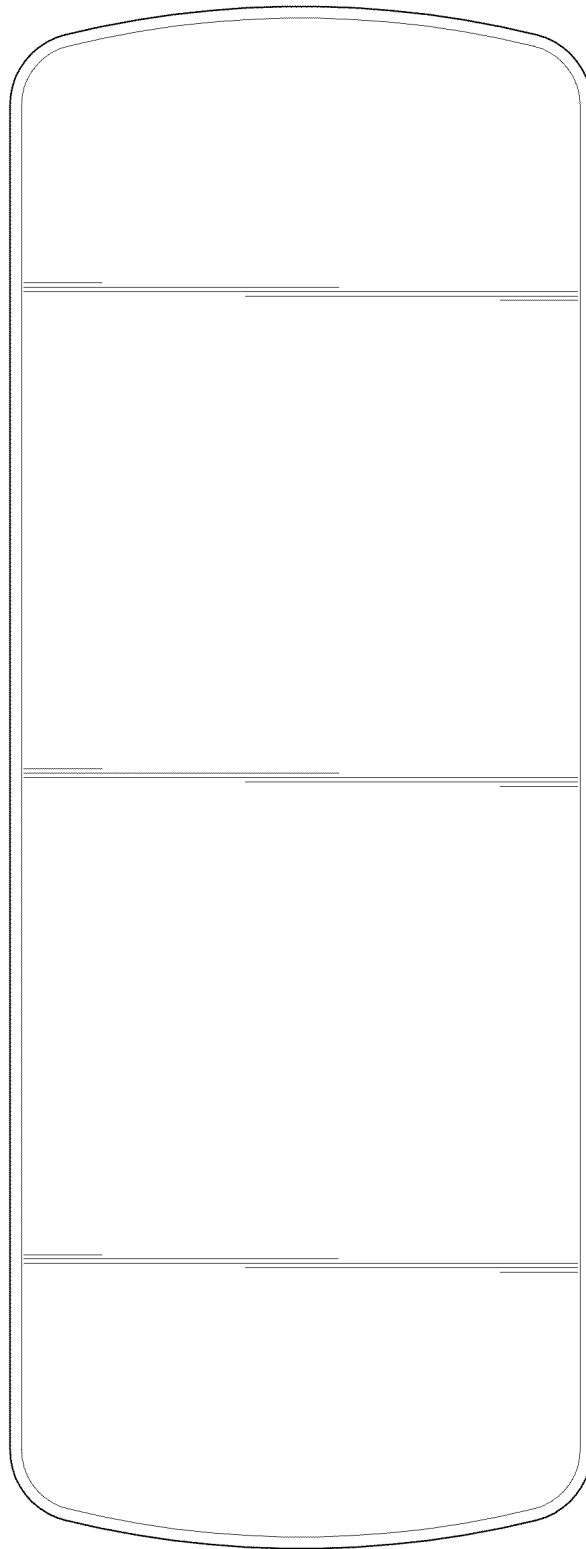


FIG.20

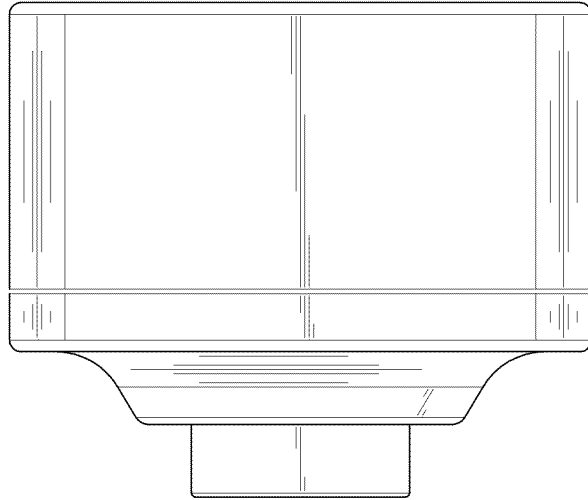


FIG. 22

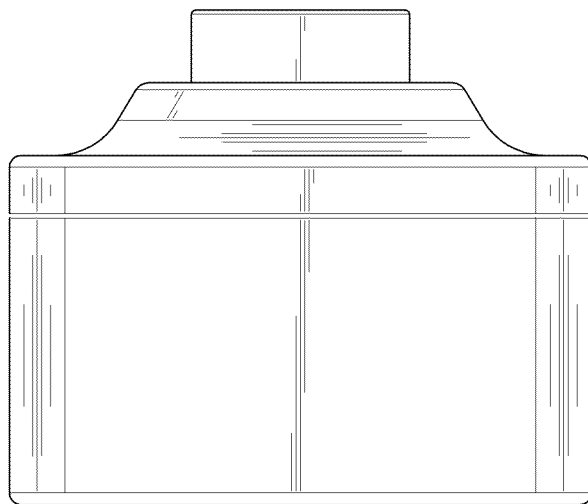


FIG. 21

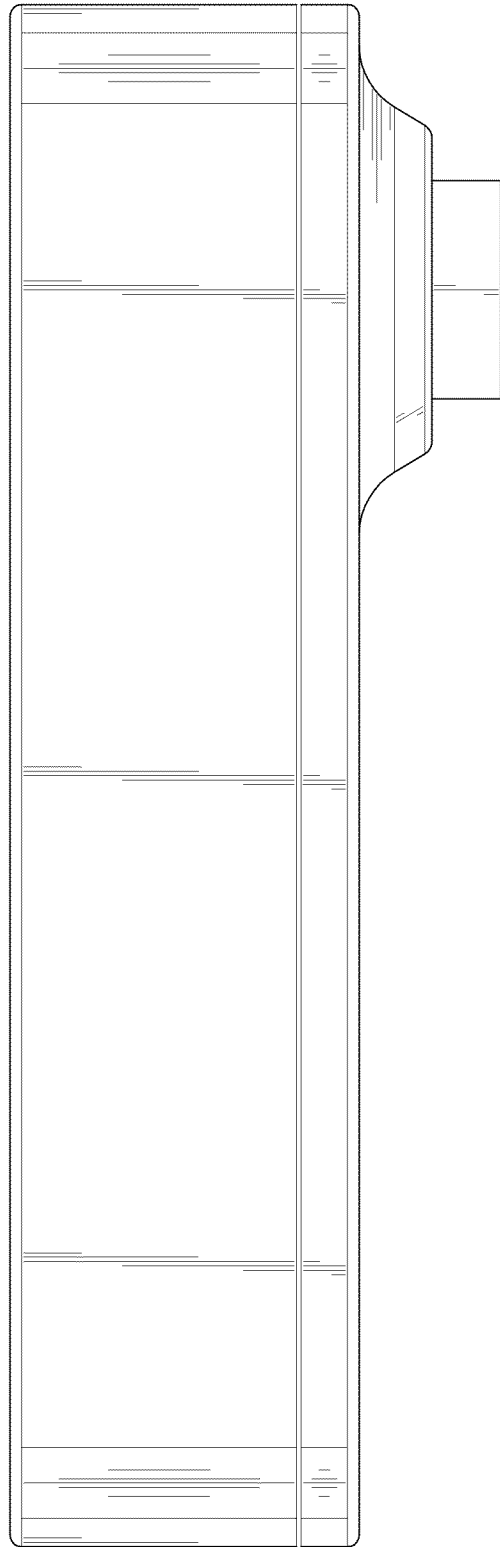


FIG.23

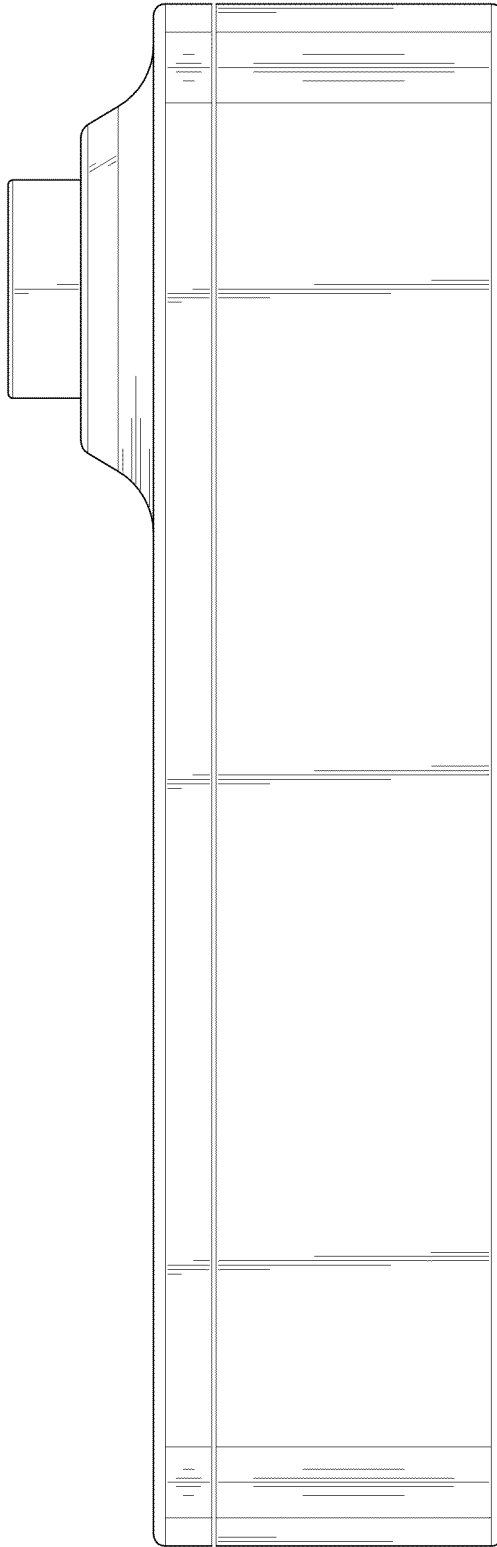


FIG.24