



US00D360424S

United States Patent [19]

[11] Patent Number: **Des. 360,424**

Bauer

[45] Date of Patent: **** Jul. 18, 1995**

[54] **LINEAR SLIDE WITH TOOTHED BELT DRIVES**

[58] **Field of Search** D15/138, 145, 150, 151, D15/152, 199; 53/128.1; 82/132-141; 474/144, 145, 146, 147, 205, 268

[75] **Inventor:** Siegfried Bauer,
Massbach-Volkershausen, Germany

[56] **References Cited**

U.S. PATENT DOCUMENTS

[73] **Assignee:** Deutsche Star GmbH, Schweinfurt,
Germany

D. 240,293 6/1976 Bogart D10/70
D. 308,207 5/1990 Burke D15/199 X
D. 310,041 8/1990 Nagaoka D10/70
D. 333,666 3/1993 Kawashima et al. D15/199 X

[**] **Term:** 14 Years

Primary Examiner—Antoine Duval Davis
Attorney, Agent, or Firm—Anderson Kill Olick & Oshinsky

[21] **Appl. No.:** 16,498

[22] **Filed:** Dec. 16, 1993

[57] **CLAIM**

The ornamental design for a linear slide with toothed belt drives, as shown and described.

Related U.S. Application Data

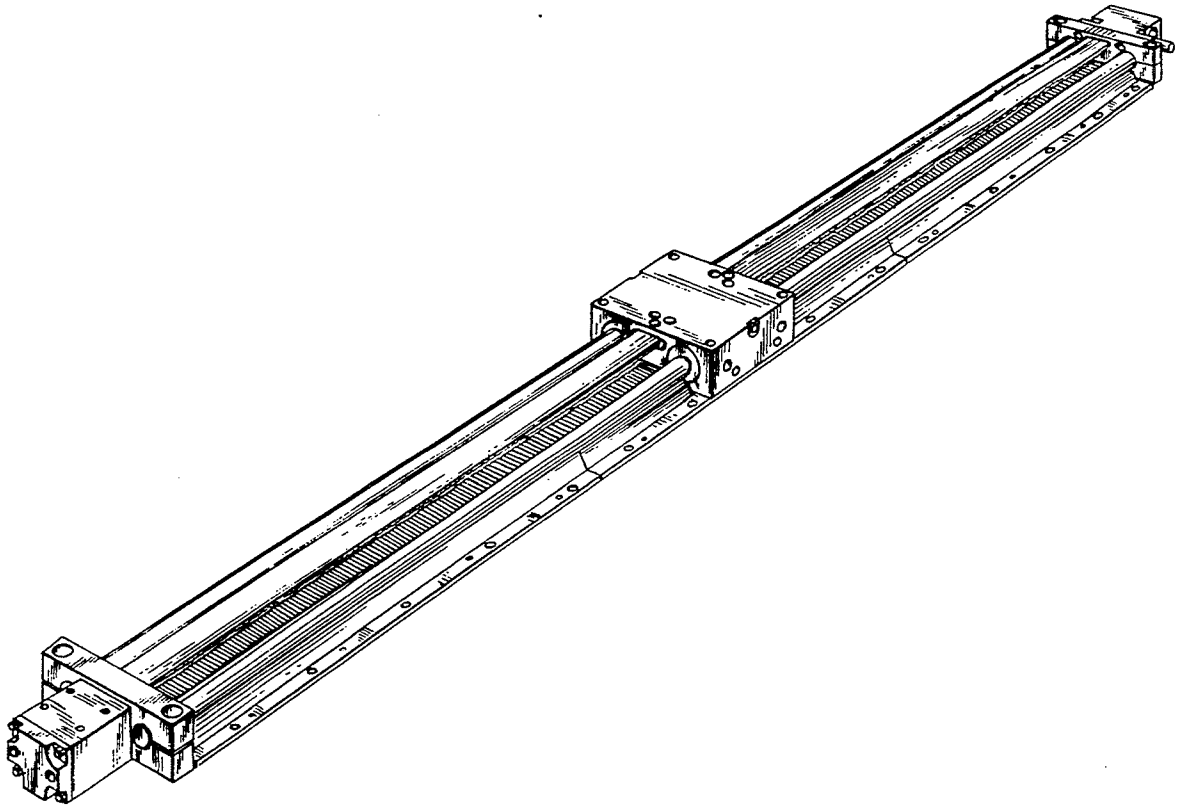
[62] Division of Ser. No. 795,640, Nov. 21, 1991, Pat. No. Des. 345,041.

DESCRIPTION

Foreign Application Priority Data

May 22, 1991 [DE] Germany M 91 03 755.7
[52] **U.S. Cl.** D15/199

FIG. 1 is a front perspective view of a linear slide with toothed belt drives showing my new design; FIG. 2 is another front perspective view; and, FIG. 3 is a bottom perspective view thereof.



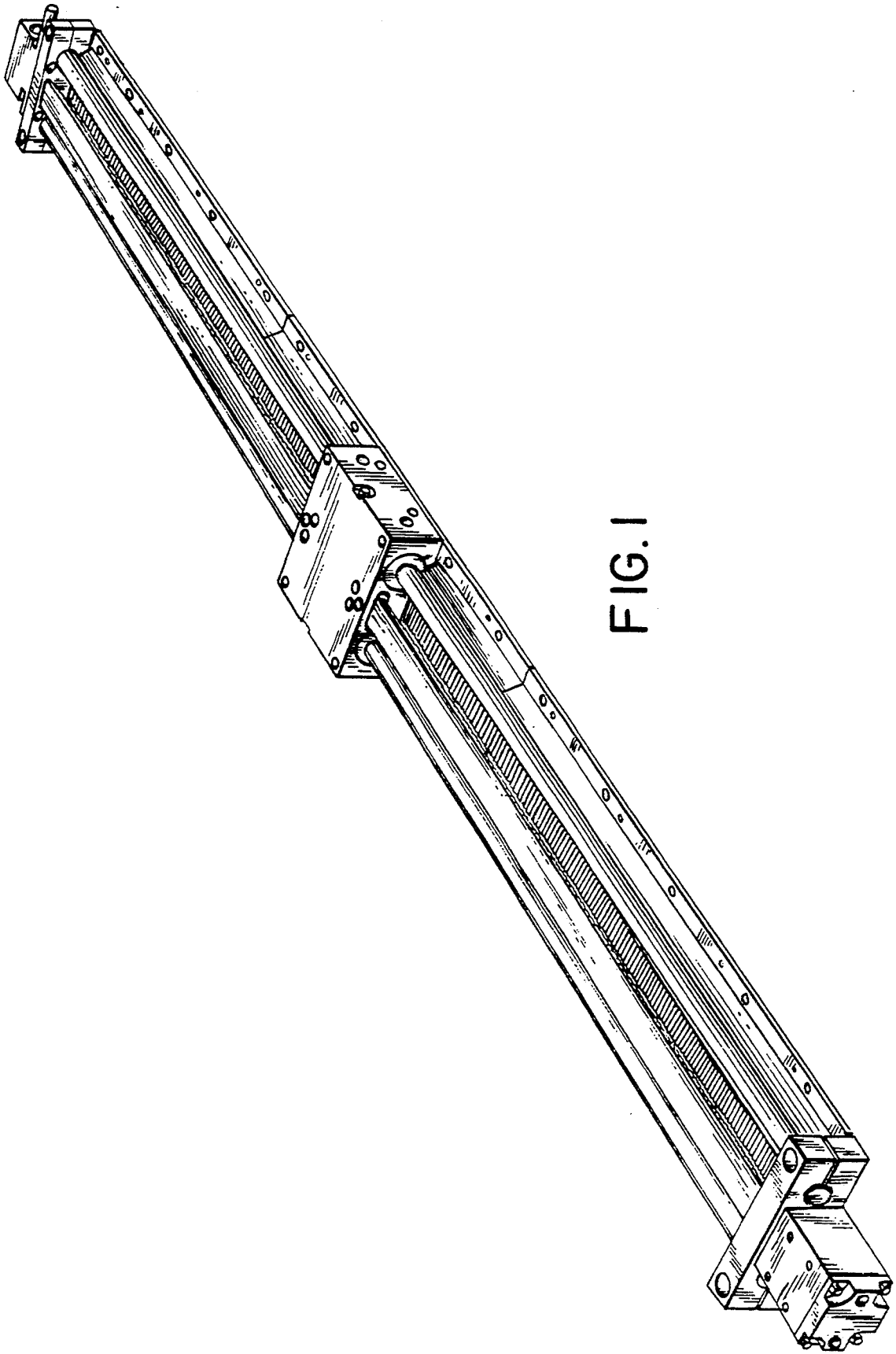


FIG. 1

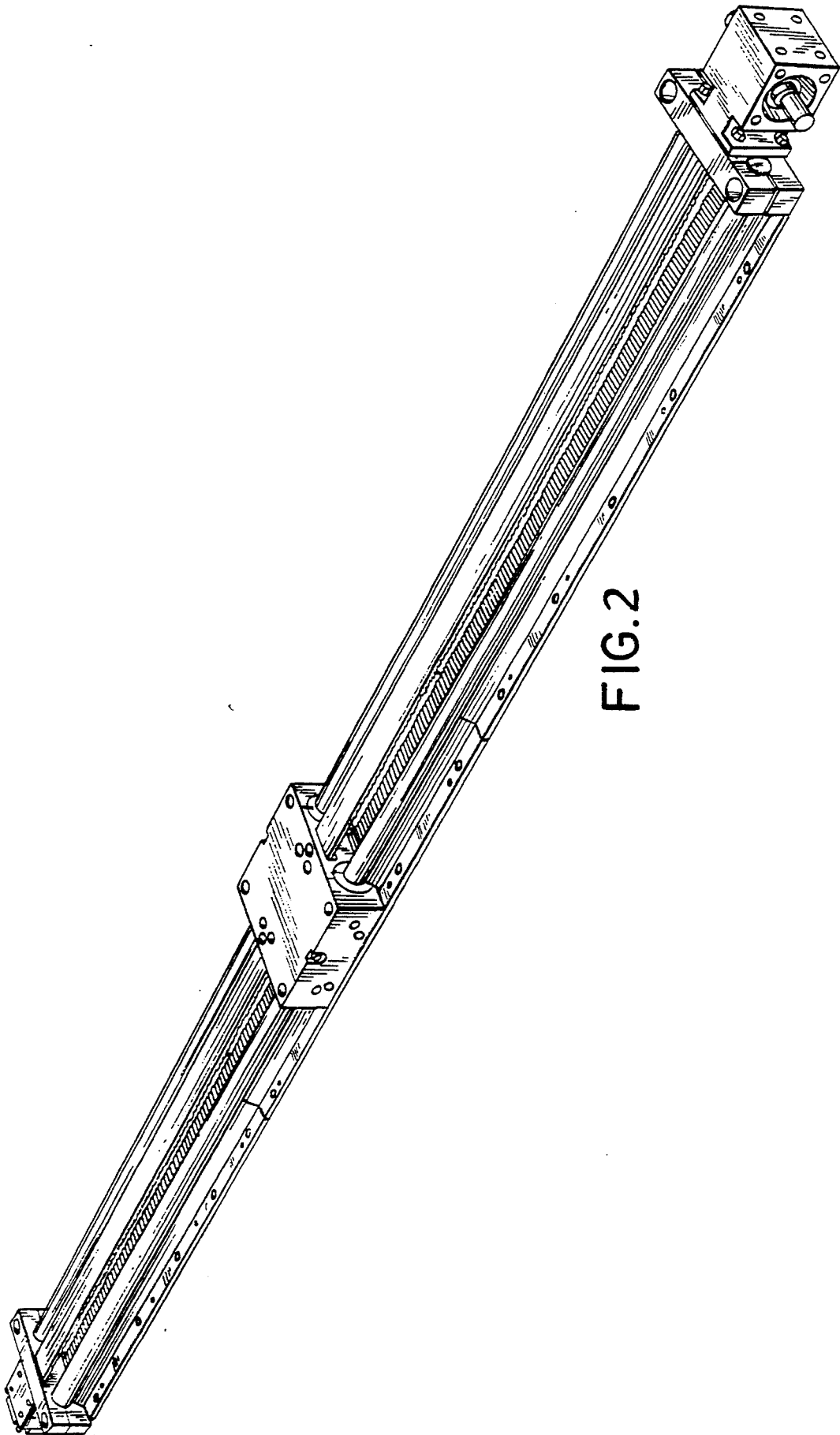


FIG. 2

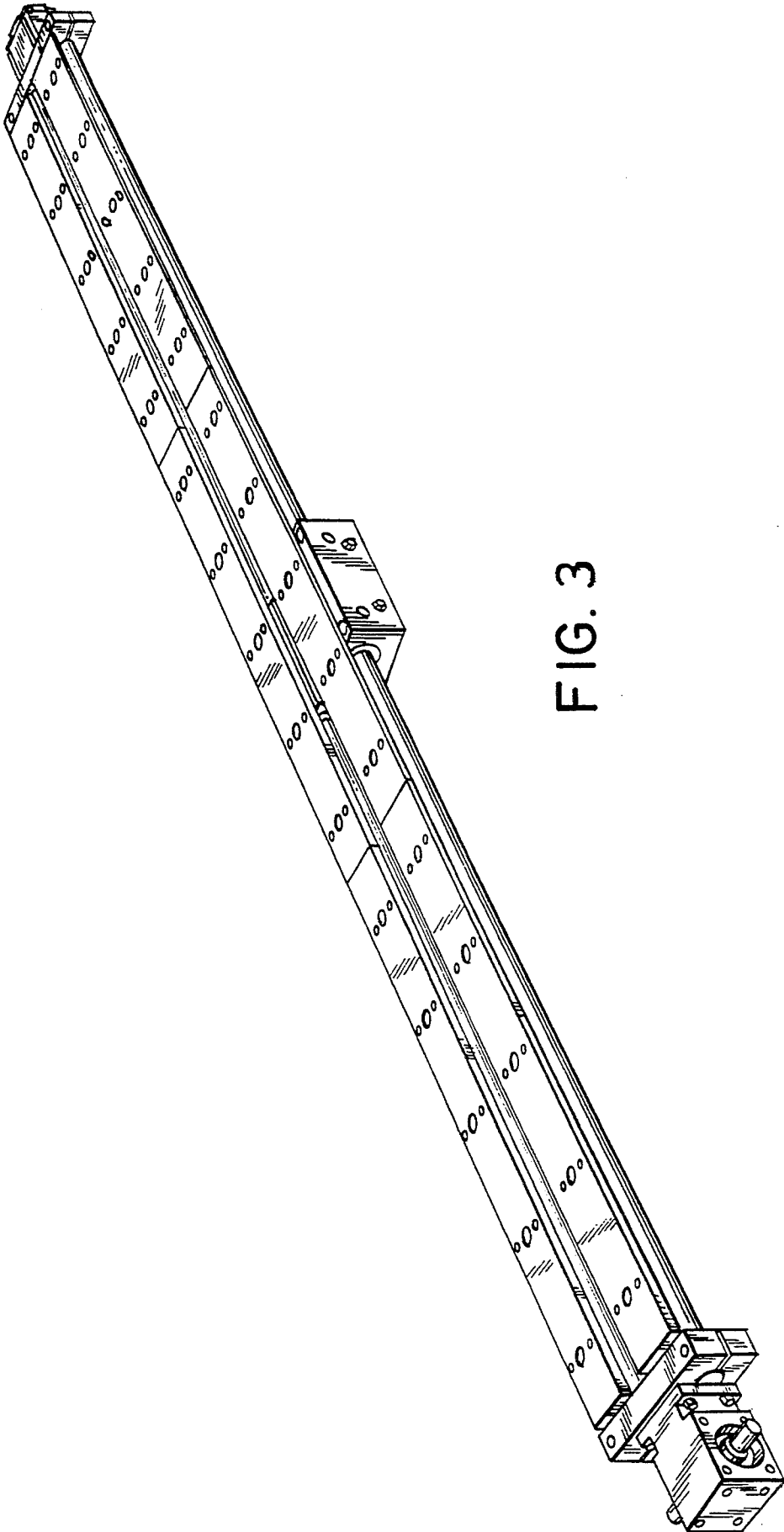


FIG. 3