

(19) World Intellectual Property Organization
International Bureau



(43) International Publication Date
23 December 2010 (23.12.2010)

(10) International Publication Number
WO 2010/148196 A3

- (51) **International Patent Classification:**
H05B 37/02 (2006.01) *H05B 37/04* (2006.01)
- (21) **International Application Number:**
PCT/US2010/038987
- (22) **International Filing Date:**
17 June 2010 (17.06.2010)
- (25) **Filing Language:** English
- (26) **Publication Language:** English
- (30) **Priority Data:**
61/218,320 18 June 2009 (18.06.2009) US
- (71) **Applicant (for all designated States except US):** **MUSCO CORPORATION** [US/US]; 100 - 1st Avenue West, Oskaloosa, Iowa 52577 (US).
- (72) **Inventors; and**
- (75) **Inventors/Applicants (for US only):** **BLANCHARD, David L.** [US/US]; 301 South I, Oskaloosa, IA 52577 (US). **GORDIN, Myron** [US/US]; 2746 Merino Avenue, Oskaloosa, Iowa 52577 (US).
- (74) **Agent:** **HANSING, Mark D.**; McKee, Voorhees & Sease, PLC, 801 Grand Avenue, Suite 3200, Des Moines, Iowa 50309-2721 (US).
- (81) **Designated States (unless otherwise indicated, for every kind of national protection available):** AE, AG, AL, AM,

AO, AT, AU, AZ, BA, BB, BG, BH, BR, BW, BY, BZ, CA, CH, CL, CN, CO, CR, CU, CZ, DE, DK, DM, DO, DZ, EC, EE, EG, ES, FI, GB, GD, GE, GH, GM, GT, HN, HR, HU, ID, IL, IN, IS, JP, KE, KG, KM, KN, KP, KR, KZ, LA, LC, LK, LR, LS, LT, LU, LY, MA, MD, ME, MG, MK, MN, MW, MX, MY, MZ, NA, NG, NI, NO, NZ, OM, PE, PG, PH, PL, PT, RO, RS, RU, SC, SD, SE, SG, SK, SL, SM, ST, SV, SY, TH, TJ, TM, TN, TR, TT, TZ, UA, UG, US, UZ, VC, VN, ZA, ZM, ZW.

- (84) **Designated States (unless otherwise indicated, for every kind of regional protection available):** ARIPO (BW, GH, GM, KE, LR, LS, MW, MZ, NA, SD, SL, SZ, TZ, UG, ZM, ZW), Eurasian (AM, AZ, BY, KG, KZ, MD, RU, TJ, TM), European (AL, AT, BE, BG, CH, CY, CZ, DE, DK, EE, ES, FI, FR, GB, GR, HR, HU, IE, IS, IT, LT, LU, LV, MC, MK, MT, NL, NO, PL, PT, RO, SE, SI, SK, SM, TR), OAPI (BF, BJ, CF, CG, CI, CM, GA, GN, GQ, GW, ML, MR, NE, SN, TD, TG).

Declarations under Rule 4.17:

— as to applicant's entitlement to apply for and be granted a patent (Rule 4.17(ii))

Published:

— with international search report (Art. 21(3))

[Continued on next page]

(54) **Title:** APPARATUS AND METHOD FOR BYPASSING FAILED LEDS IN LIGHTING ARRAYS

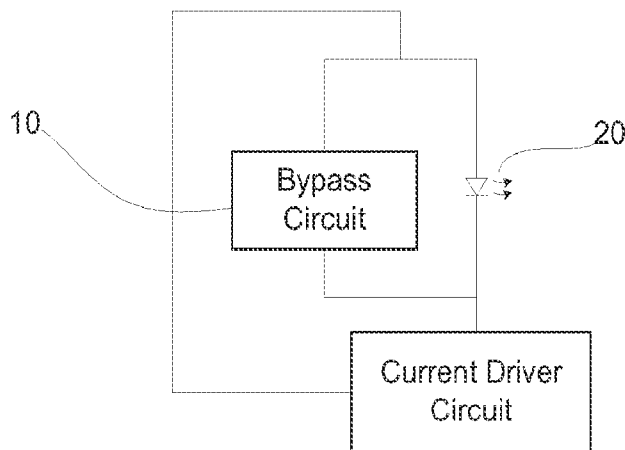


Fig. 1

(57) **Abstract:** An apparatus, method and system for controlling one or multiple lighting sources such as those powered by driver circuits or voltage splitting methods, to provide an alternative current path around a failed lighting source when one or more individual lighting sources fail.



WO 2010/148196 A3



— *before the expiration of the time limit for amending the claims and to be republished in the event of receipt of amendments (Rule 48.2(h))*

(88) Date of publication of the international search report:
7 April 2011

INTERNATIONAL SEARCH REPORT

International application No.
PCT/US2010/038987**A. CLASSIFICATION OF SUBJECT MATTER****H05B 37/02(2006.01)i, H05B 37/04(2006.01)i**

According to International Patent Classification (IPC) or to both national classification and IPC

B. FIELDS SEARCHED

Minimum documentation searched (classification system followed by classification symbols)

H05B 37/02; G08B 21/00; H01L 33/00; G02F 1/133; B23K 11/24

Documentation searched other than minimum documentation to the extent that such documents are included in the fields searched

Korean utility models and applications for utility models
Japanese utility models and applications for utility models

Electronic data base consulted during the international search (name of data base and, where practicable, search terms used)

eKOMPASS(KIPO internal) & Keywords: LED, bypass*, open, detect*, sens*, series

C. DOCUMENTS CONSIDERED TO BE RELEVANT

Category*	Citation of document, with indication, where appropriate, of the relevant passages	Relevant to claim No.
X A	KR 10-2006-0133445 A (SONY CORP.) 26 December 2006 See abstract, figures 10-13 and page 4 - page 5.	16-18 1-15, 19-22
A	KR 10-2007-0062895 A (MACROBLOCK INC.) 18 June 2007 See abstract, figures 1-8 and their corresponding explanations.	1-22
A	US 2007-0132602 A1 (MASAYASU ITO et al.) 14 June 2007 See abstract; figures 1-6 and their corresponding explanations.	1-22
A	US 2007-0108843 A1 (NIGEL PRESTON et al.) 17 May 2007 See abstract; figures 1-3 and their corresponding explanations.	1-22

 Further documents are listed in the continuation of Box C. See patent family annex.

* Special categories of cited documents:

"A" document defining the general state of the art which is not considered to be of particular relevance

"E" earlier application or patent but published on or after the international filing date

"L" document which may throw doubts on priority claim(s) or which is cited to establish the publication date of citation or other special reason (as specified)

"O" document referring to an oral disclosure, use, exhibition or other means

"P" document published prior to the international filing date but later than the priority date claimed

"T" later document published after the international filing date or priority date and not in conflict with the application but cited to understand the principle or theory underlying the invention

"X" document of particular relevance; the claimed invention cannot be considered novel or cannot be considered to involve an inventive step when the document is taken alone

"Y" document of particular relevance; the claimed invention cannot be considered to involve an inventive step when the document is combined with one or more other such documents, such combination being obvious to a person skilled in the art

"&" document member of the same patent family

Date of the actual completion of the international search

28 JANUARY 2011 (28.01.2011)

Date of mailing of the international search report

28 JANUARY 2011 (28.01.2011)

Name and mailing address of the ISA/KR

Korean Intellectual Property Office
Government Complex-Daejeon, 139 Seonsa-ro, Seo-
gu, Daejeon 302-701, Republic of Korea

Facsimile No. 82-42-472-7140

Authorized officer

SHIN, Yeong Kyo

Telephone No. 82-42-481-5227



INTERNATIONAL SEARCH REPORT

Information on patent family members

International application No.

PCT/US2010/038987

Patent document cited in search report	Publication date	Patent family member(s)	Publication date
KR 10-2006-0133445 A	26. 12. 2006	CN 100397667 C	25. 06. 2008
		CN 1788363 A	14. 06. 2006
		CN 1788363 C0	25. 06. 2008
		EP 1739757 A1	03. 01. 2007
		JP 04-123183 B2	23. 07. 2008
		JP 2005-310999 A	04. 11. 2005
		US 2006-0176411 A1	10. 08. 2006
		US 7538497 B2	26. 05. 2009
		WO 2005-104246 A1	03. 11. 2005
		KR 10-2007-0062895 A	18. 06. 2007
US 2007-0131945 A1	14. 06. 2007		
US 2007-0132602 A1	14. 06. 2007	DE 102006058509 A1	14. 06. 2007
		JP 2007-161012 A	28. 06. 2007
		US 2007-132602 A1	14. 06. 2007
		US 7636037 B2	22. 12. 2009
US 2007-0108843 A1	17. 05. 2007	CA 2567886-A1	17. 05. 2007
		US 2007-108843 A1	17. 05. 2007
		US 7710050 B2	04. 05. 2010