



US00D889031S

(12) **United States Design Patent**
Behnke et al.

(10) **Patent No.:** **US D889,031 S**

(45) **Date of Patent:** **** *Jun. 30, 2020**

(54) **CANOPY FOR LIGHTING FIXTURE**

OTHER PUBLICATIONS

(71) Applicant: **USAI, LLC**, New Windsor, NY (US)

USAI, LLC, BeveLED Block instruction sheet, 2 pages. (Jul. 1, 2016).

(72) Inventors: **Jaclyn Behnke**, Highland, NY (US);
Frank Cogliano, Pomona, NY (US)

(Continued)

(73) Assignee: **USAI, LLC**, New Windsor, NY (US)

Primary Examiner — Natasha Vujcic

(74) *Attorney, Agent, or Firm* — St. Onge Steward
Johnston & Reens LLC

(*) Notice: This patent is subject to a terminal disclaimer.

(**) Term: **15 Years**

(57) **CLAIM**

(21) Appl. No.: **29/715,430**

The ornamental design for a canopy for lighting fixture, as shown and described.

(22) Filed: **Dec. 2, 2019**

Related U.S. Application Data

(60) Division of application No. 29/696,938, filed on Jul. 2, 2019, now Pat. No. Des. 876,002, which is a continuation of application No. 15/972,881, filed on May 7, 2018, now Pat. No. 10,443,822.

DESCRIPTION

(51) **LOC (12) Cl.** **26-05**

FIG. 1 is a perspective view, from the bottom, of an embodiment of a canopy for lighting fixture in accordance with the new design;

(52) **U.S. Cl.**

FIG. 2 is a front view thereof, with the rear view being a mirror image;

USPC **D26/138**

FIG. 3 is a left side view thereof;

(58) **Field of Classification Search**

USPC D26/72, 74, 76, 78-83, 85, 86, 88, 90,
D26/93, 111, 113, 118, 119, 120, 121,
D26/122, 138, 139, 140, 141, 142, 152;
D22/142; D21/499, 500

FIG. 4 is a right side view thereof; and

CPC F21S 2/00; F21S 4/00; F21S 4/003; F21S
4/005; F21S 4/006; F21S 4/007; F21S
4/008; F21S 6/00; F21S 8/00; F21S
8/024; F21S 8/026; F21S 8/031; F21S
8/033; F21S

FIG. 5 is a bottom sectional view thereof, taken along line 5-5 of FIG. 2, with the top forming no part of the claimed design;

(Continued)

FIG. 6 is a perspective view, from the bottom, of an embodiment of a canopy for lighting fixture in accordance with the new design;

(56) **References Cited**

U.S. PATENT DOCUMENTS

825,445 A 7/1906 Benjamin
2,034,556 A 3/1936 Biller
D147,093 S 7/1947 Vorsanger

FIG. 7 is a front view thereof, wherein the rear view is a mirror image thereof;

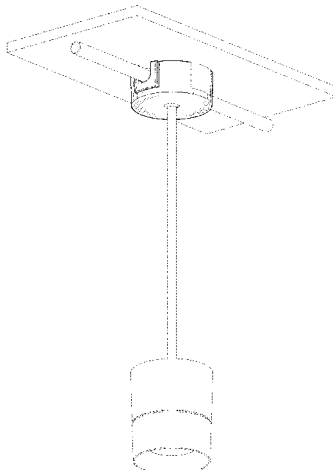
(Continued)

FIG. 8 is a left side view thereof, wherein the right side view is a mirror image thereof; and,

FIG. 9 is a bottom sectional view thereof, taken along line 9-9 of FIG. 7, with the top forming no part of the claimed design.

The broken lines shown in the drawings are for the purpose of illustrating portions of the canopy for lighting fixture that form no part of the claimed design.

1 Claim, 9 Drawing Sheets



(58) **Field of Classification Search**
 CPC 8/035-037; F21S 8/04; F21S 8/043; F21S
 8/063

See application file for complete search history.

(56) **References Cited**

U.S. PATENT DOCUMENTS

4,303,968 A 12/1981 Goralnik
 D298,173 S 10/1988 Oosterheerd
 D339,651 S 9/1993 Vieyra
 D345,790 S 4/1994 Caldwell
 D377,843 S 2/1997 Schering
 D382,663 S 8/1997 Barry
 D399,328 S 10/1998 Compton
 D400,287 S 10/1998 Littman et al.
 D414,179 S * 9/1999 Ashkenazi D14/146
 D414,530 S 9/1999 Rudy
 D422,745 S 4/2000 Losole, III
 D423,607 S 4/2000 Rudy
 D435,215 S 12/2000 Guzman
 D443,942 S 6/2001 Dye et al.
 D445,527 S 7/2001 Nicholas
 D465,061 S 10/2002 Guthrie
 D480,437 S 10/2003 Stoneberg
 D480,828 S 10/2003 Block
 D532,148 S 11/2006 Matsui et al.
 D547,484 S 7/2007 Guercio
 D557,438 S 12/2007 Hsu
 D563,022 S * 2/2008 Hetfield D26/72
 D565,230 S 3/2008 Hetfield et al.
 D581,586 S 11/2008 Conroy
 D591,446 S * 4/2009 Tufano D26/138
 D596,783 S * 7/2009 Silver D26/90
 D603,552 S 11/2009 Kampe
 D604,445 S 11/2009 Ko et al.
 D604,896 S 11/2009 Chen et al.
 D620,191 S * 7/2010 Feigenbaum D26/142
 D623,344 S 9/2010 Tsai
 D627,507 S * 11/2010 Lai D26/138
 D629,561 S 12/2010 Kim et al.
 D632,003 S * 2/2011 Jordan D26/88
 D632,839 S * 2/2011 Kim D26/138
 D637,339 S 5/2011 Hasan et al.
 D637,340 S 5/2011 Hasan et al.
 D641,520 S * 7/2011 Grajcar D26/152
 D643,971 S * 8/2011 Yamamoto D26/138
 D653,799 S 2/2012 Baker et al.
 D692,611 S * 10/2013 Silver D26/138
 D707,383 S 6/2014 Carraher
 D707,386 S 6/2014 McKenzie et al.
 D709,643 S 7/2014 Kohler et al.
 D710,536 S 8/2014 Mollaghaffari
 D722,402 S 2/2015 Orozco
 D728,842 S 5/2015 Arola Ferrer
 D735,933 S 8/2015 Campagna
 D740,992 S 10/2015 Orozco
 D747,029 S 1/2016 Reynolds

D753,328 S 4/2016 Mathews et al.
 D762,915 S * 8/2016 Louden D26/138
 9,435,353 B1 9/2016 Gretz
 D770,084 S 10/2016 Salomon
 9,466,962 B1 10/2016 Gretz
 D785,227 S 4/2017 Guzzini
 D785,852 S 5/2017 Rashidi Doust
 D789,597 S * 6/2017 Wallach D26/138
 D790,762 S 6/2017 Sonneman
 D791,384 S 7/2017 Park
 D791,400 S 7/2017 Sonneman
 D795,360 S 8/2017 Ahn
 D796,733 S * 9/2017 LaDuca D26/138
 D799,099 S 10/2017 Gismondi
 D800,958 S * 10/2017 Sonneman D26/138
 D806,304 S 12/2017 Amato et al.
 D812,287 S * 3/2018 Wu D26/138
 D813,436 S 3/2018 Verelst
 D813,438 S 3/2018 Vyvey
 D818,185 S 5/2018 Wilson
 D818,192 S 5/2018 Price
 D818,625 S 5/2018 Hohaus et al.
 D819,441 S 6/2018 Doster
 D821,627 S 6/2018 Ko
 D823,522 S 7/2018 Gambrel et al.
 D829,953 S 10/2018 Botti
 D829,959 S 10/2018 Amato et al.
 D834,235 S 11/2018 Gambrel et al.
 D841,220 S 2/2019 Chen et al.
 D843,642 S 3/2019 Mathews et al.
 D848,047 S 5/2019 Santoro et al.
 D853,624 S * 7/2019 Hargreaves D26/138
 D855,244 S 7/2019 Sonneman
 D856,570 S 8/2019 Sonneman
 D857,289 S * 8/2019 Behnke H02G 3/20
 D26/142

2015/0338071 A1 11/2015 Feit et al.
 2016/0319988 A1 11/2016 Mathews et al.
 2017/0009962 A1 1/2017 Feit et al.
 2017/0268736 A1 9/2017 Harpenau et al.
 2017/0363263 A1 12/2017 Ticktin et al.
 2018/0087750 A1 3/2018 Boulanger et al.
 2018/0119934 A1 5/2018 Schneider
 2018/0128446 A1 5/2018 Dietz
 2018/0328573 A1 11/2018 Behnke et al.

OTHER PUBLICATIONS

Chinese Gold Supplier IP65 Surface Mounted Square Downlight LED spot light dimmable. USPTO found at alibaba.com visited Mar. 18, 2019. (Year: 2019).
 COB Square mounted LED downlight No. 425557733. USPTO found at dhgate.com visited Mar. 18, 2019. (Year: 2019).
 Surface Mount Square 1-Light LED Flush Mount fixture by Bruck Lighting. SKU: BBB3018. USPTO found at wayfair.com as early as Feb. 21, 2019. (Year: 2019).

* cited by examiner

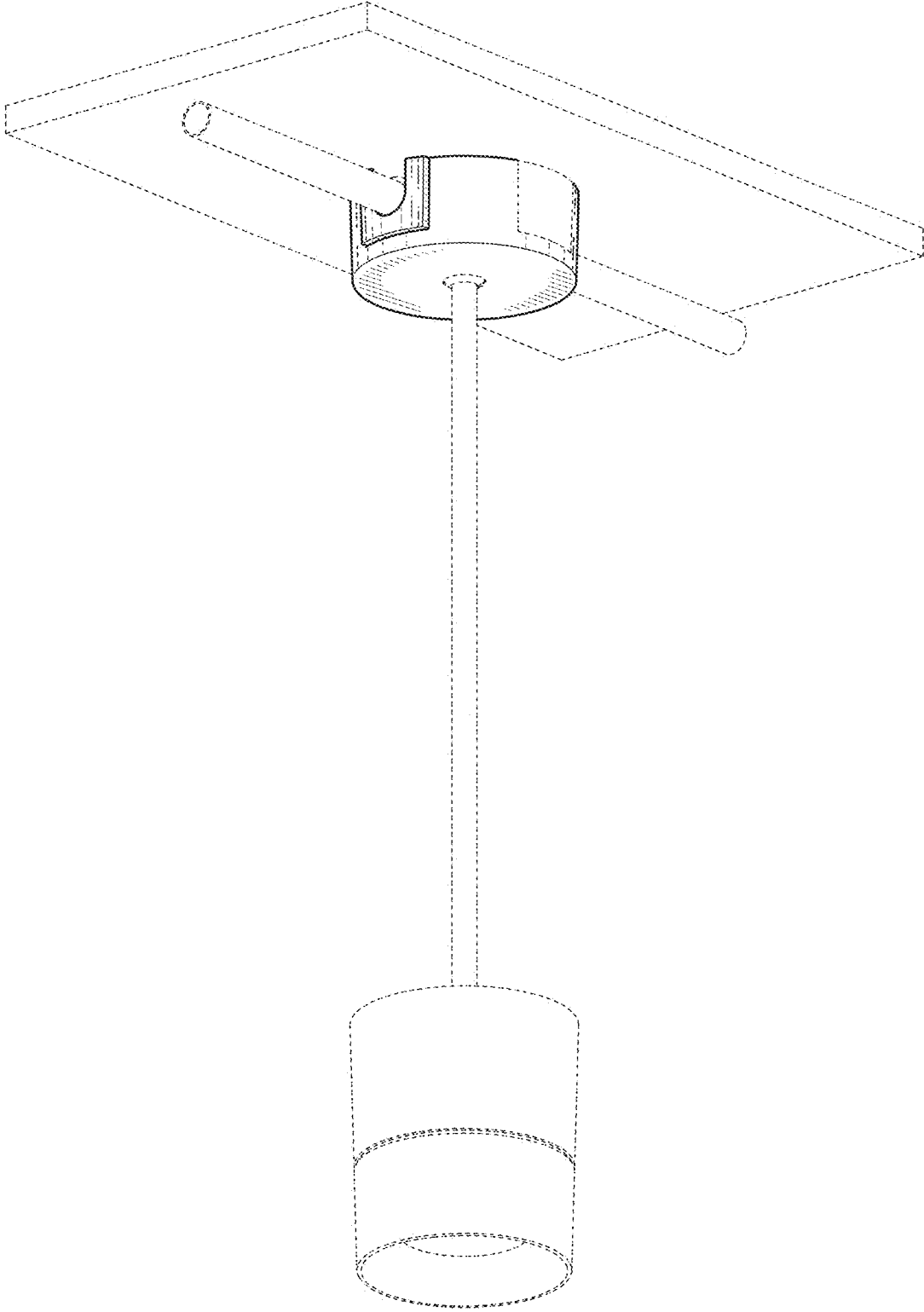


FIG. 1

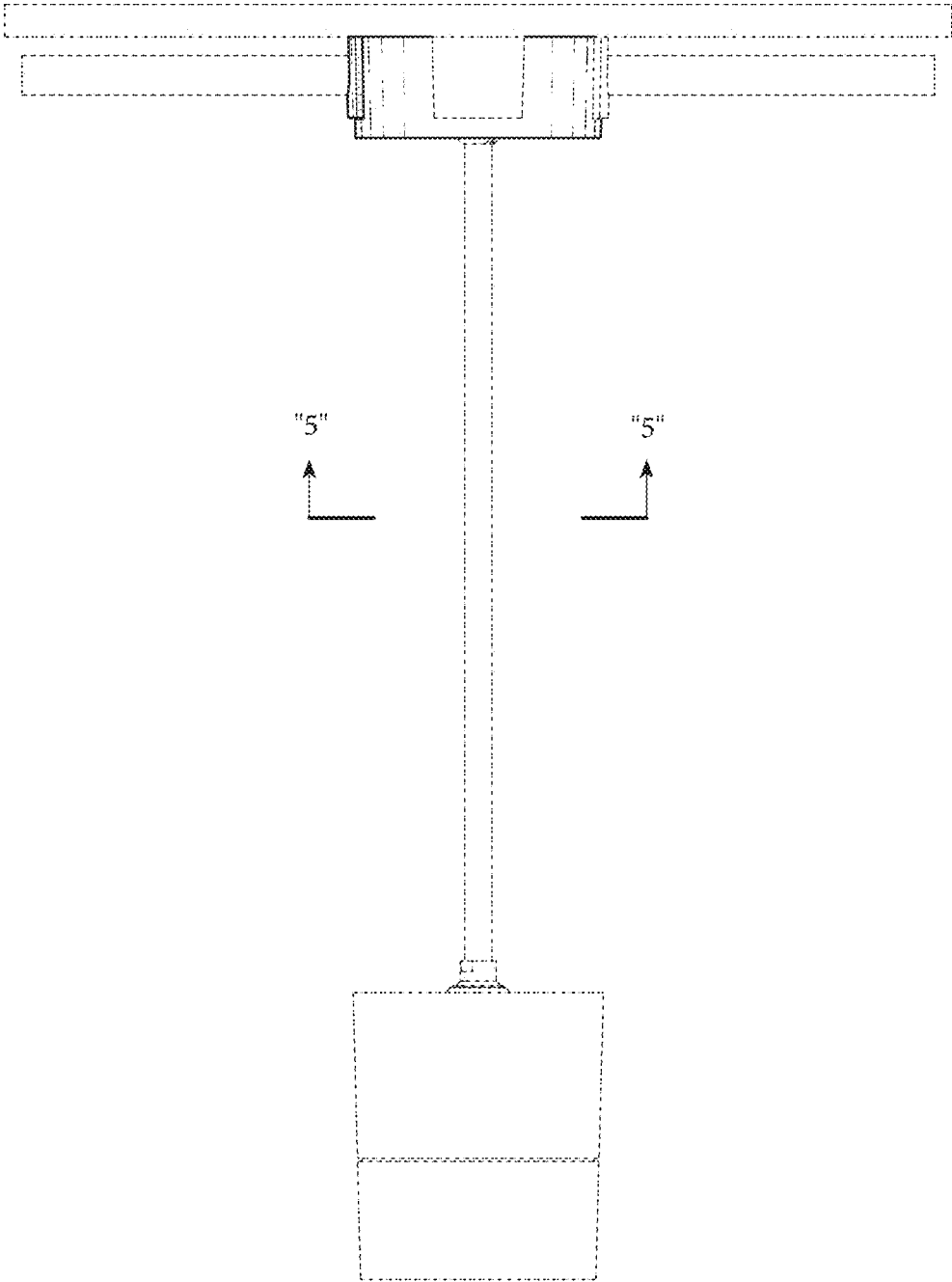


FIG. 2

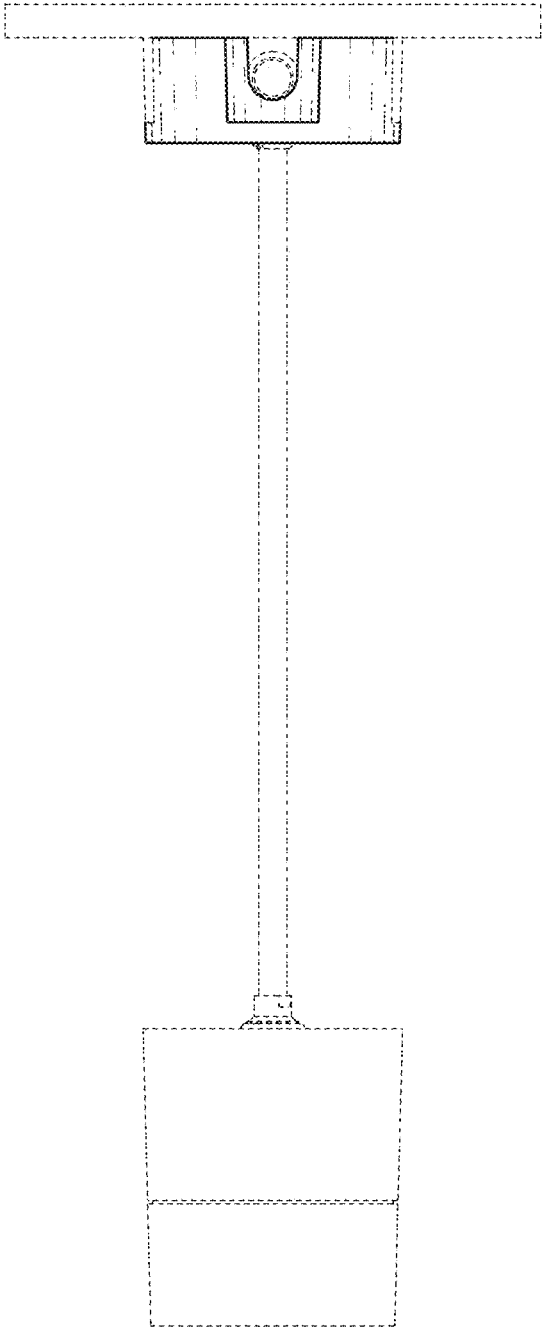


FIG. 3

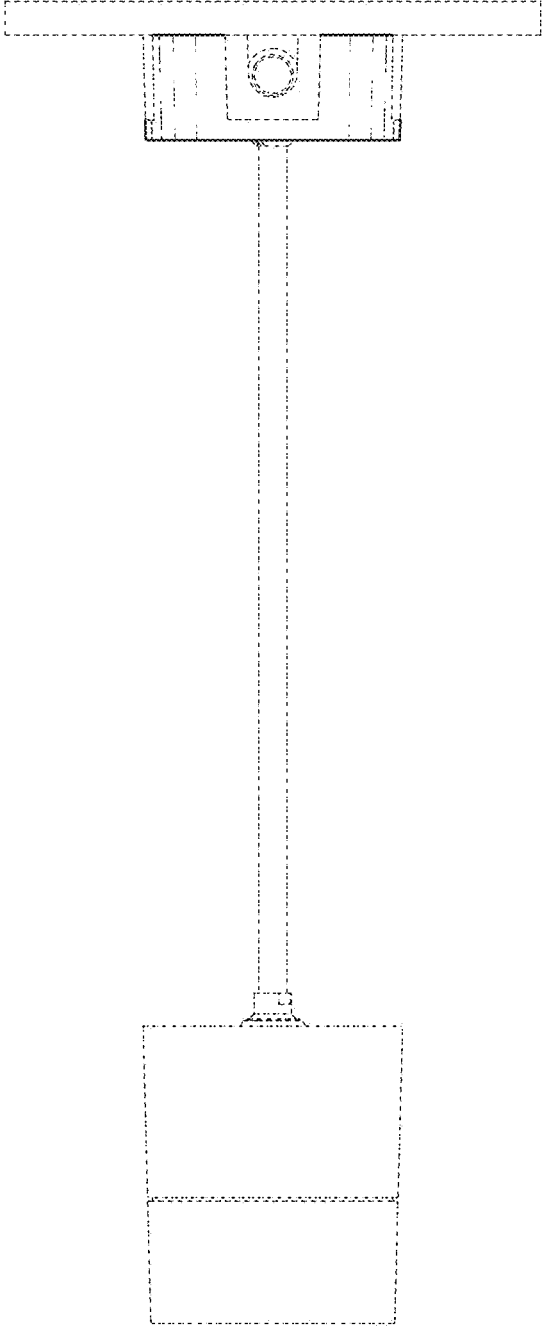


FIG. 4

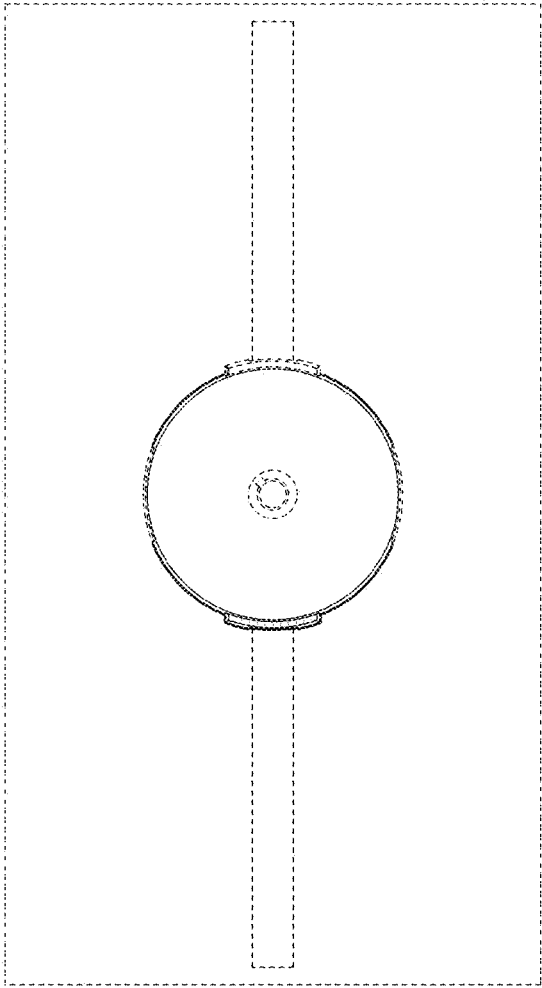


FIG. 5

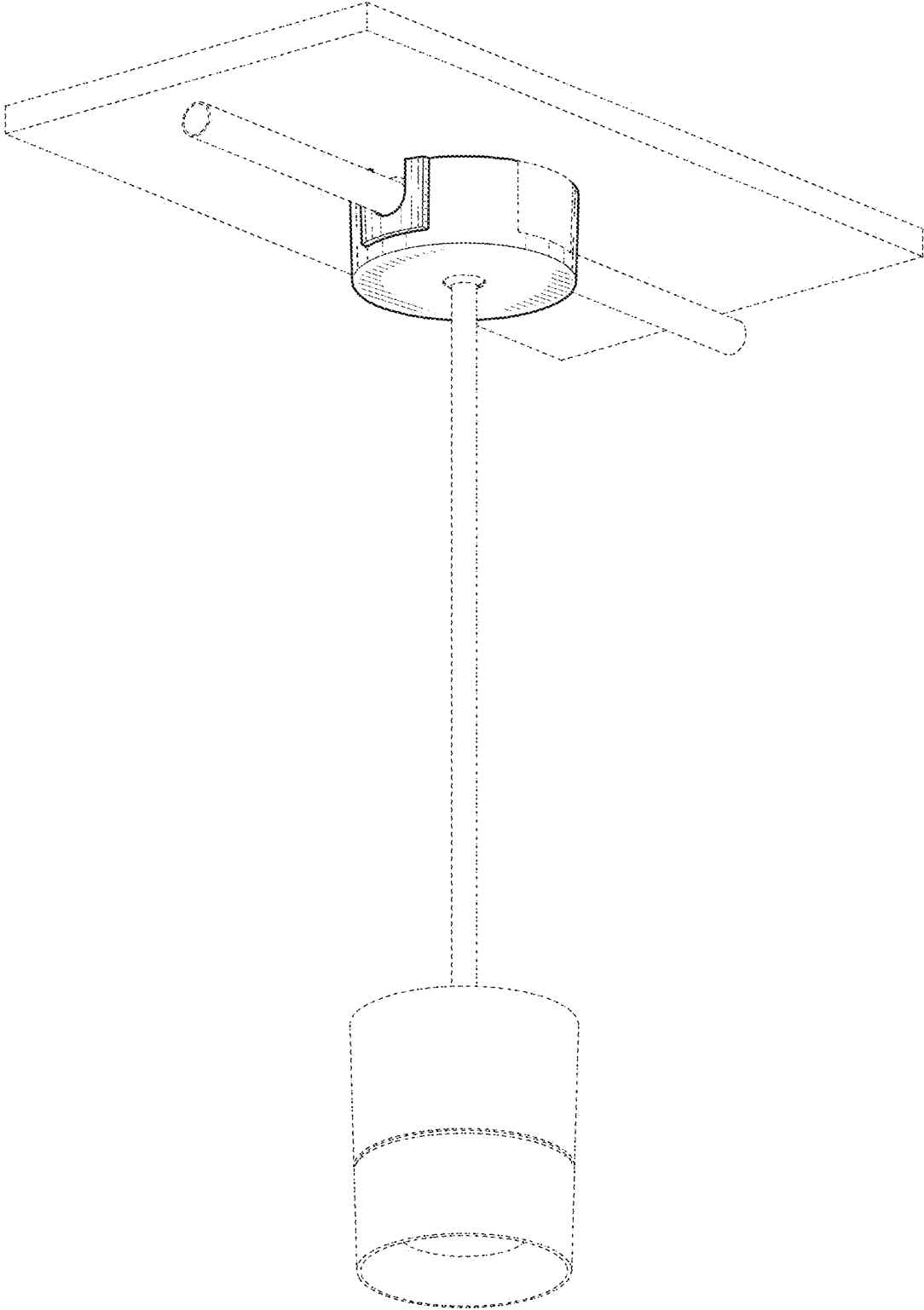


FIG. 6

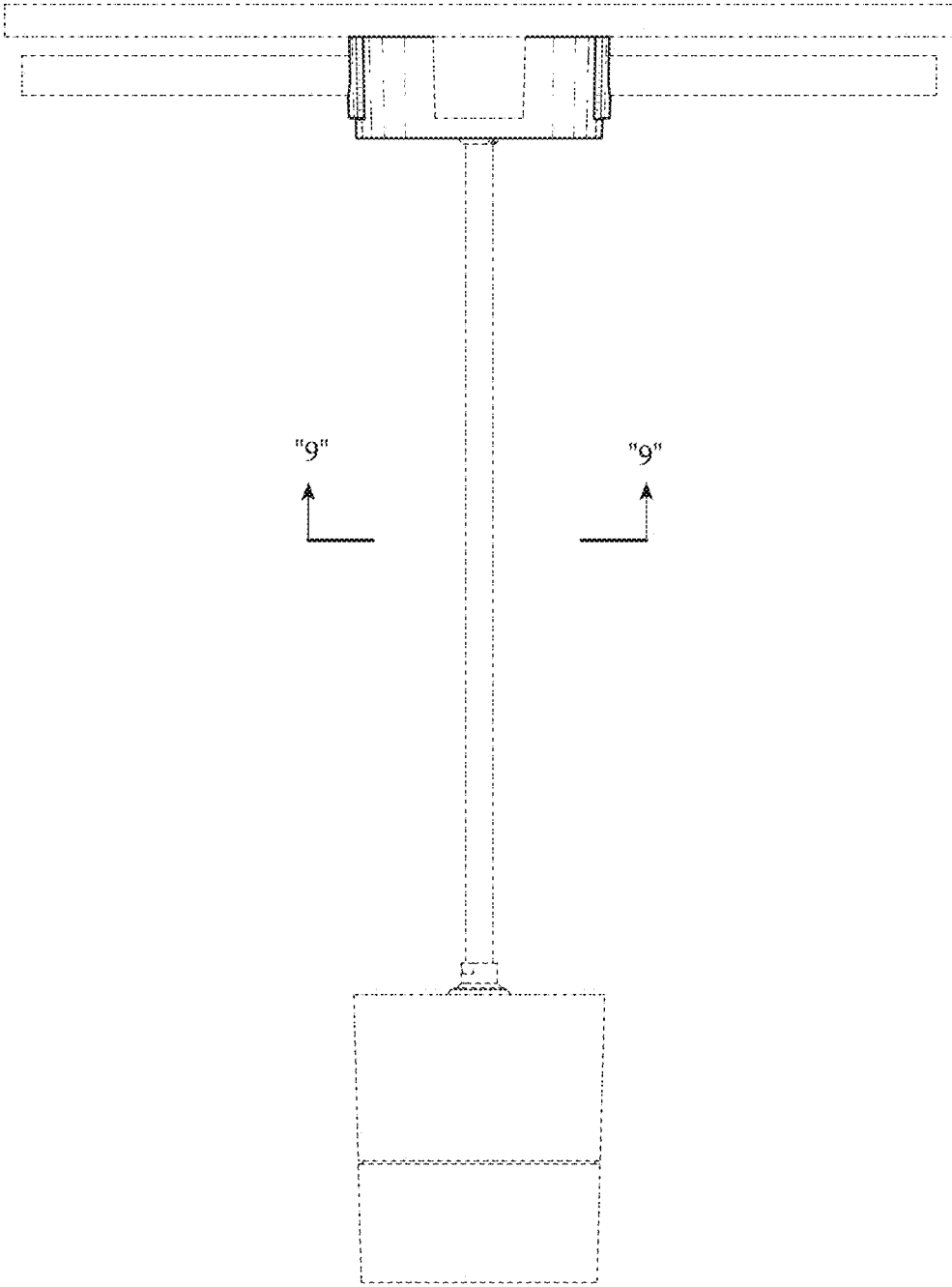


FIG. 7

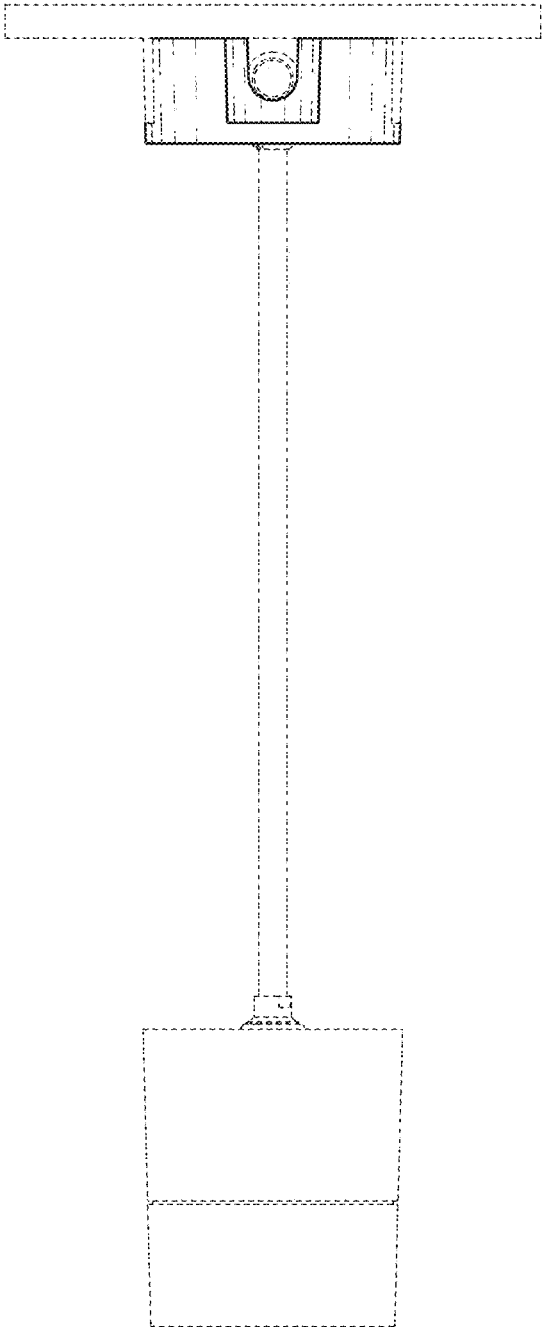


FIG. 8

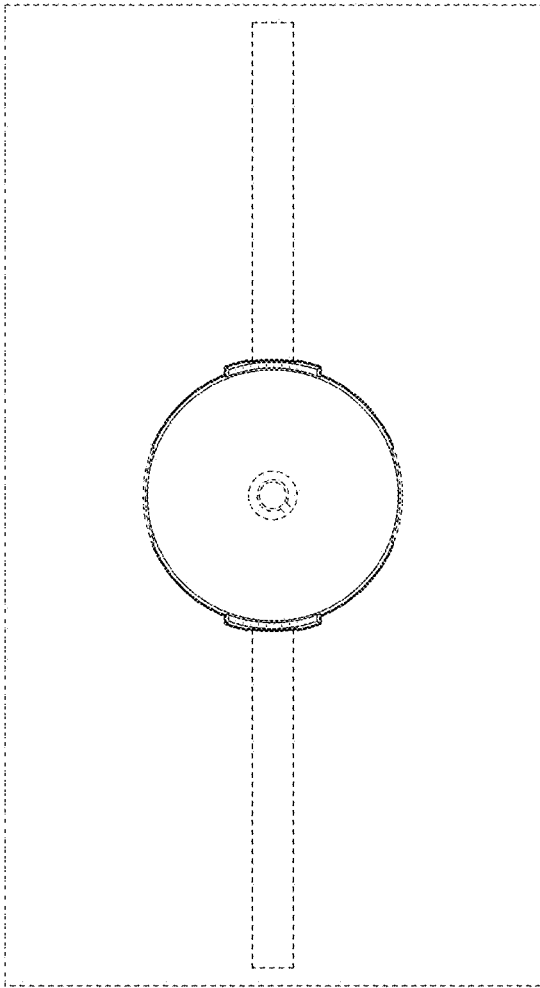


FIG. 9