



US0D1027579S

(12) **United States Design Patent**  
**Noel**

(10) **Patent No.:** **US D1,027,579 S**

(45) **Date of Patent:** **\*\* May 21, 2024**

(54) **ICE CREAM SCOOP**

(71) Applicant: **HAACIDS LLC**, Montclair, NJ (US)

(72) Inventor: **Huguens Noel**, Montclair, NJ (US)

(73) Assignee: **HAACIDS LLC**, Montclair, NJ (US)

(\*\*) Term: **15 Years**

(21) Appl. No.: **29/856,352**

(22) Filed: **Oct. 13, 2022**

(51) **LOC (14) Cl.** ..... **07-99**

(52) **U.S. Cl.**  
USPC ..... **D7/681**

(58) **Field of Classification Search**  
CPC ..... A47J 43/282; A47J 43/28; A47J 43/288;  
A21B 3/00; A23G 3/563  
See application file for complete search history.

(56) **References Cited**

**U.S. PATENT DOCUMENTS**

2,210,623 A *	8/1940	Kelly	.....	A47J 43/282
				425/281
D209,315 S *	11/1967	Page	.....	D7/681
D471,409 S *	3/2003	Bressler	.....	D7/681
6,846,171 B2 *	1/2005	Herbert	.....	A47J 43/282
				426/279

**OTHER PUBLICATIONS**

Amazon.com. SSTOOHL Ice Cream Scoop. ASIN: B0C3X6H8TV. date first available Jun. 5, 2023. (Year: 2023).\*

\* cited by examiner

*Primary Examiner* — Terry A Wallace

(74) *Attorney, Agent, or Firm* — Saul Ewing LLP

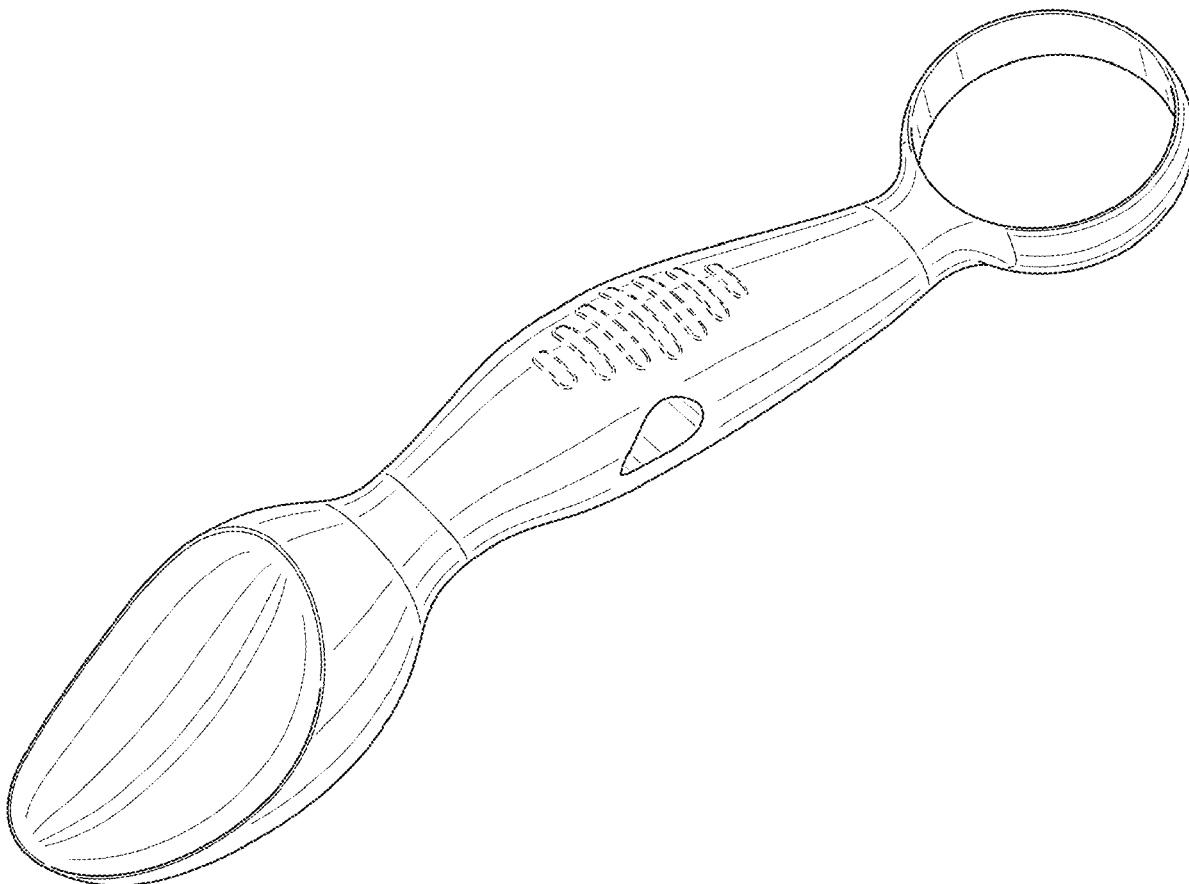
(57) **CLAIM**

The ornamental design for an ice cream scoop, as shown and described.

**DESCRIPTION**

FIG. 1 is a perspective view of the ice cream scoop; FIG. 2 is a front view thereof; FIG. 3 is a back view thereof; FIG. 4 is a left side view thereof; FIG. 5 is a right side view thereof; FIG. 6 is a top view thereof; and, FIG. 7 is a bottom view thereof. The portions of the ice cream scoop shown in broken lines form no part of the claimed design.

**1 Claim, 4 Drawing Sheets**



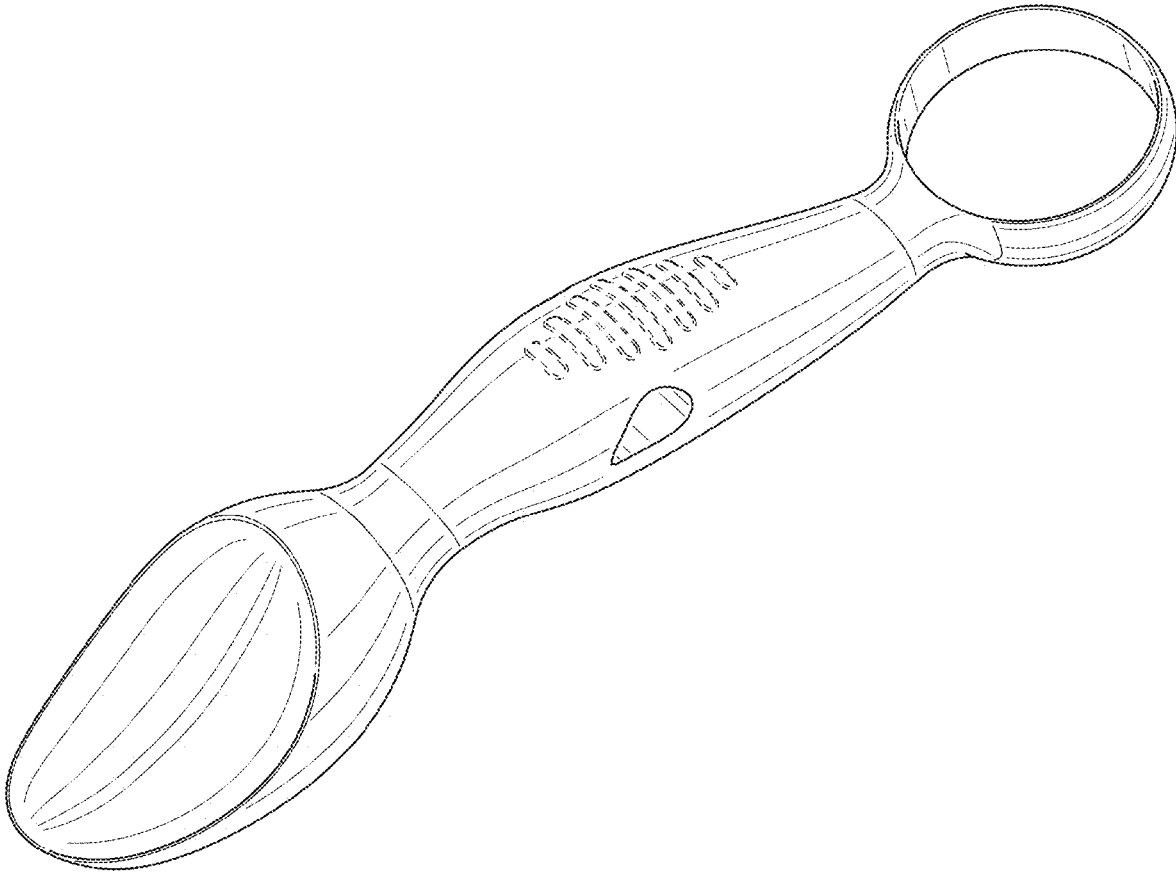


FIG. 1

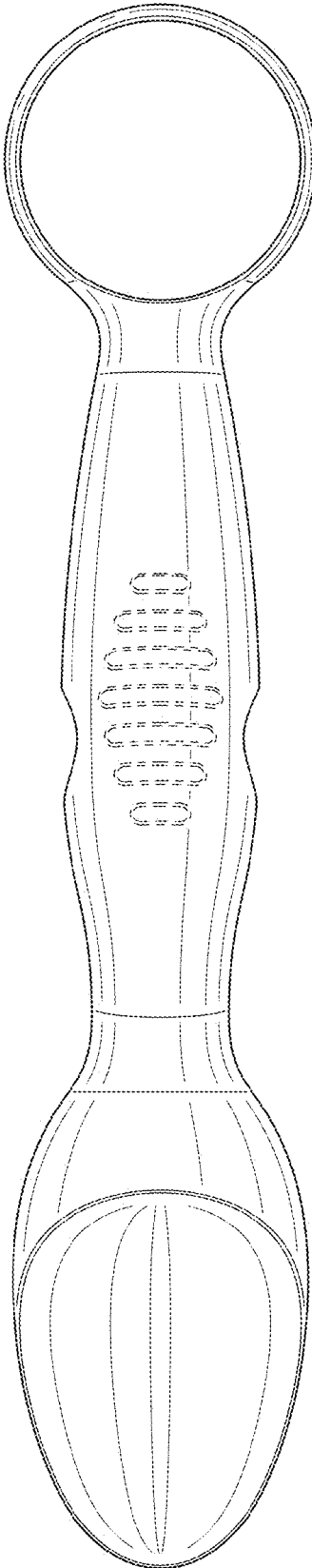


FIG. 2

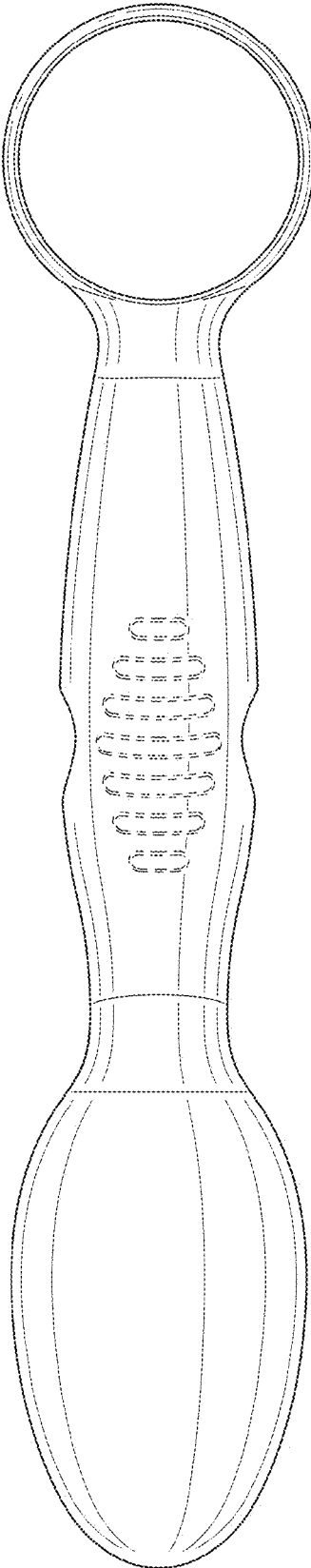


FIG. 3

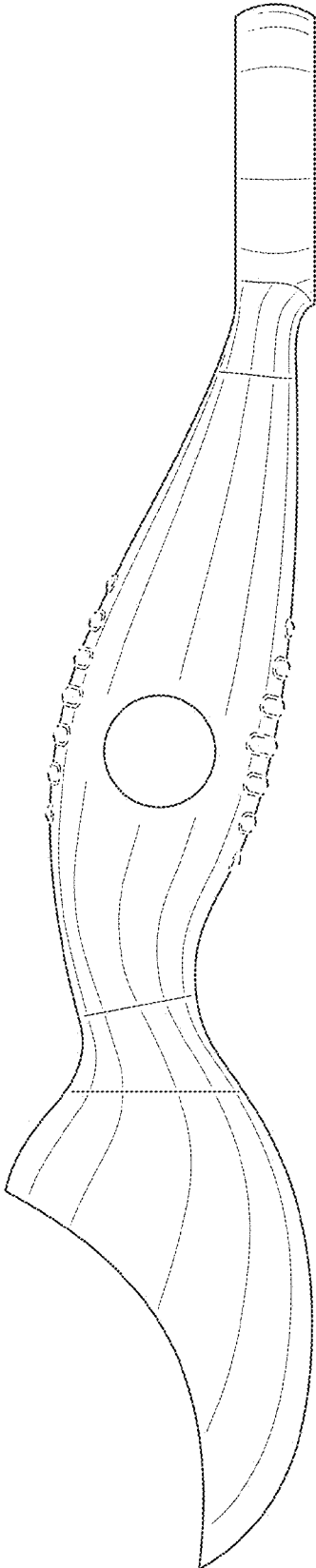


FIG. 4

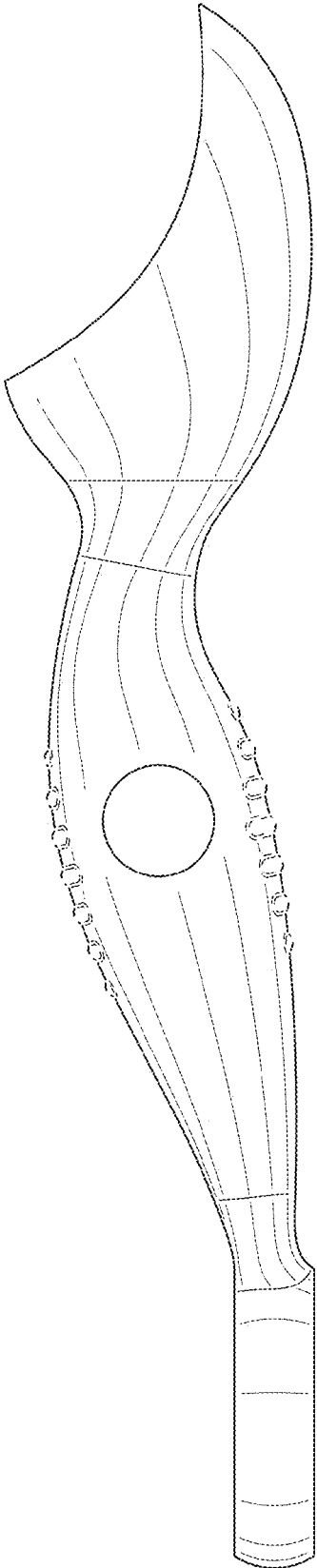


FIG. 5

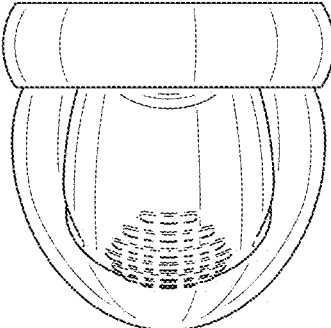


FIG. 6

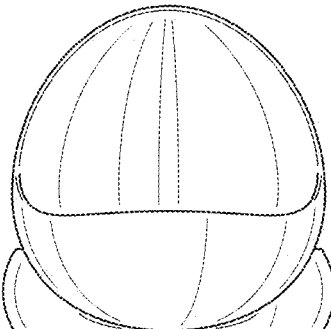


FIG. 7