

[54] PLAYHOUSE CLIMBER

[75] Inventors: Berthold B. Dieter; Charles L. Gibson, both of Terre Haute, Ind.

[73] Assignee: Creative Playgrounds Corporation, Terre Haute, Ind.

[\*\*] Term: 14 Years

[21] Appl. No.: 20,879

[22] Filed: Mar. 15, 1979

[51] Int. Cl. .... D21-03

[52] U.S. Cl. .... D21/245

[58] Field of Search .... D21/242-245; 273/113, 56.5

[56] References Cited

U.S. PATENT DOCUMENTS

D. 245,435 8/1977 Gnehm ..... D21/245  
D. 253,362 11/1979 Dieter et al. .... D21/243

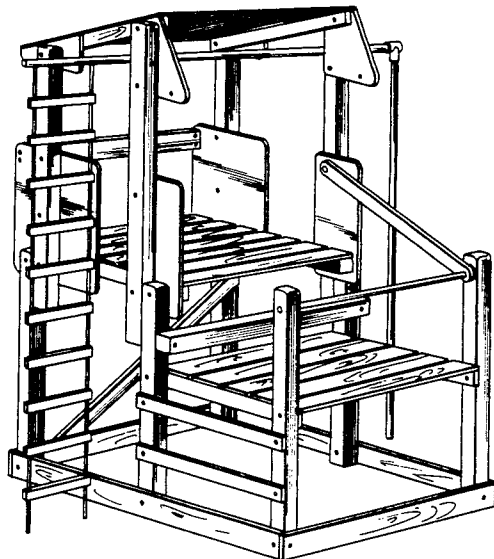
Primary Examiner—Melvin B. Feifer  
Attorney, Agent, or Firm—Jenkins, Coffey, Hyland,  
Badger & Conard

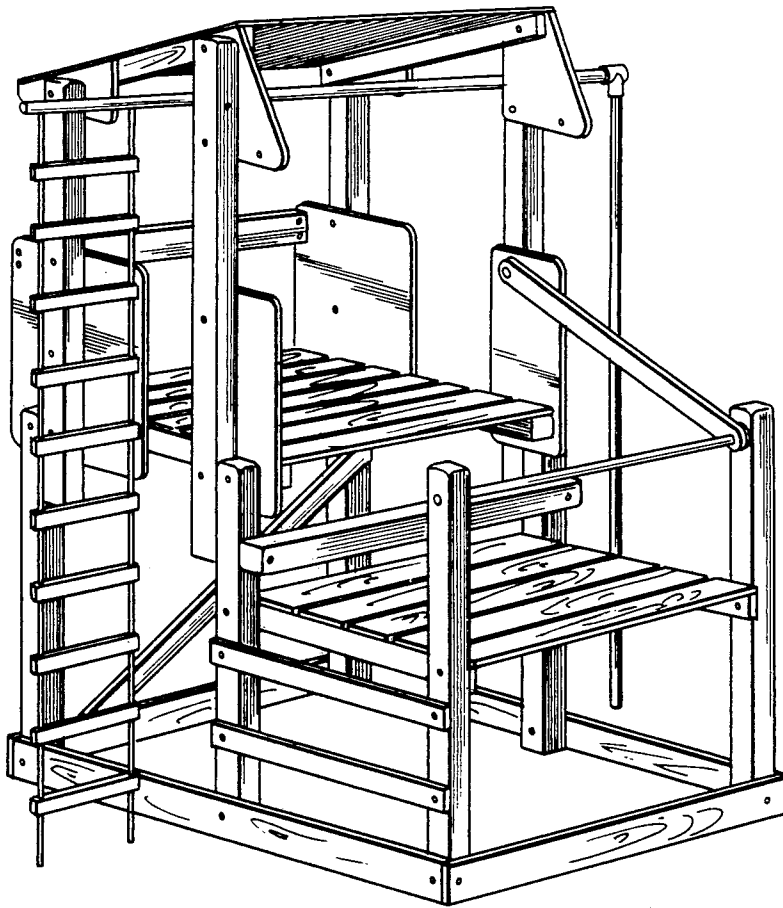
[57] CLAIM

The ornamental design for a playhouse climber, as shown.

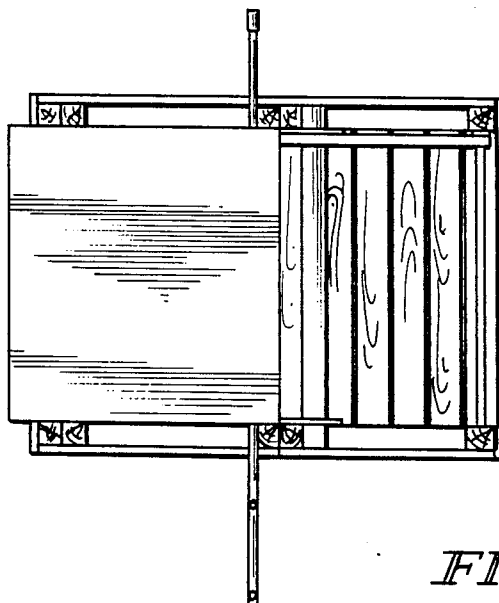
DESCRIPTION

FIG. 1 is a perspective view showing the front and left sides of the playhouse climber showing our new design; FIG. 2 is a top plan view of the climber; FIG. 3 is a right side elevation view of the climber; FIG. 4 is a left side elevation view of the climber; and FIG. 5 is a rear elevation view of the climber shown in FIG. 1.





*FIG 1*



*FIG 2*

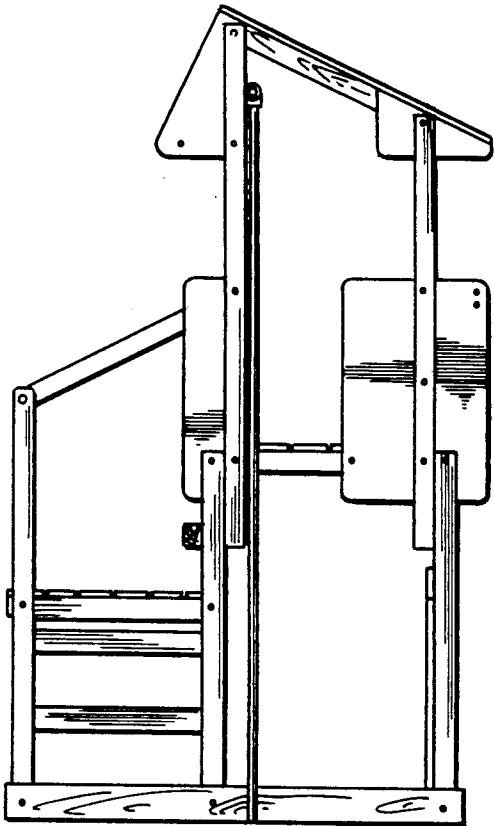


FIG 3

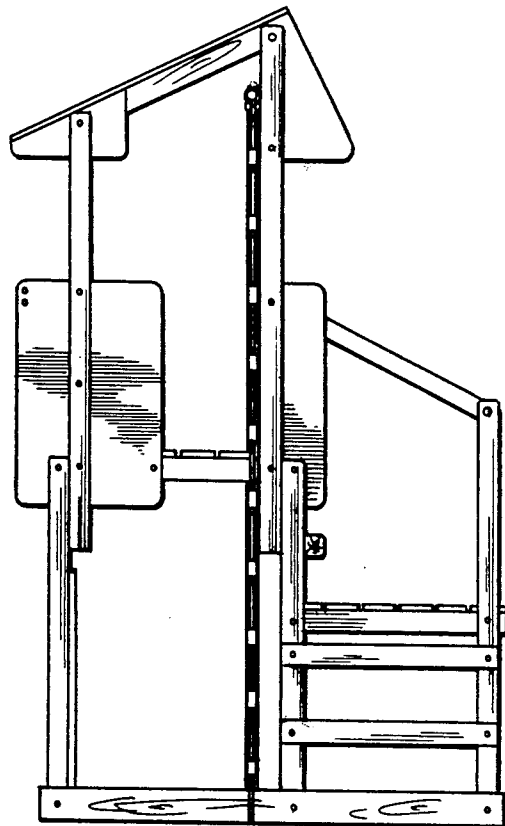


FIG 4

FIG 5

