



US00D882488S

(12) **United States Design Patent**
Tung

(10) **Patent No.:** **US D882,488 S**

(45) **Date of Patent:** **** Apr. 28, 2020**

(54) **VEHICLE MOUNT**

(71) Applicant: **Philip Morris Products S.A.**,
Neuchatel (CH)

(72) Inventor: **Jeffrey Tung**, San Francisco, CA (US)

(73) Assignee: **Philip Morris Products S.A.**,
Neuchatel (CH)

(**) Term: **15 Years**

(21) Appl. No.: **29/669,651**

(22) Filed: **Nov. 9, 2018**

(30) **Foreign Application Priority Data**

May 9, 2018 (EM) 005262797-0008

(51) **LOC (12) Cl.** **12-16**

(52) **U.S. Cl.**
USPC **D12/415**

(58) **Field of Classification Search**

USPC D12/415-420, 400, 191, 423;
D6/513-514, 553, 556, 559; D14/253
CPC B60R 11/02; B60R 2011/0005
See application file for complete search history.

(56) **References Cited**

U.S. PATENT DOCUMENTS

D782,462 S * 3/2017 Huang D14/253
D783,012 S * 4/2017 Lee D14/253

D796,421 S * 9/2017 Huang D12/415
D797,750 S * 9/2017 Wengreen D14/447
D799,466 S * 10/2017 Sukphist D14/253
D826,225 S * 8/2018 Chen D14/253
D831,660 S * 10/2018 Yao D14/447
D832,247 S * 10/2018 Sukphist D14/253
10,173,607 B1 * 1/2019 Omelchenko B60R 11/0241
D868,054 S * 11/2019 Kim D14/253

* cited by examiner

Primary Examiner — Katrina A Betton

(74) *Attorney, Agent, or Firm* — Oblon, McClelland,
Maier & Neustadt, L.L.P.

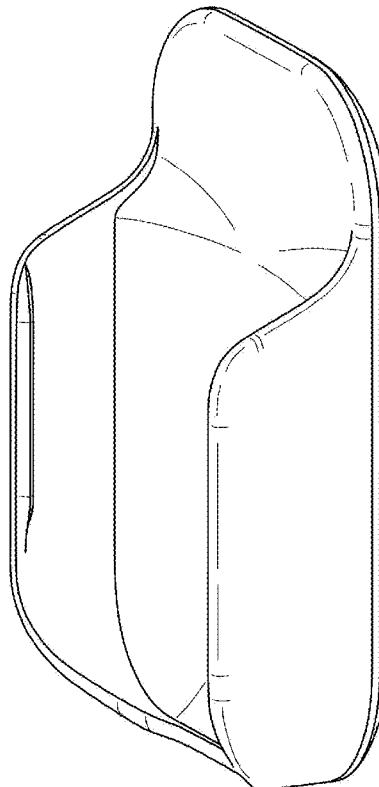
(57) **CLAIM**

The ornamental design for a vehicle mount, as shown and described.

DESCRIPTION

FIG. 1 is a front, top, and right side perspective view of a vehicle mount;
FIG. 2 is a front elevational view thereof;
FIG. 3 is a rear elevational view thereof;
FIG. 4 is a left side elevational view thereof;
FIG. 5 is a right side elevational view thereof;
FIG. 6 is a top plan view thereof;
FIG. 7 is a bottom plan view thereof; and,
FIG. 8 is a rear, top, and right side perspective view thereof.

1 Claim, 8 Drawing Sheets



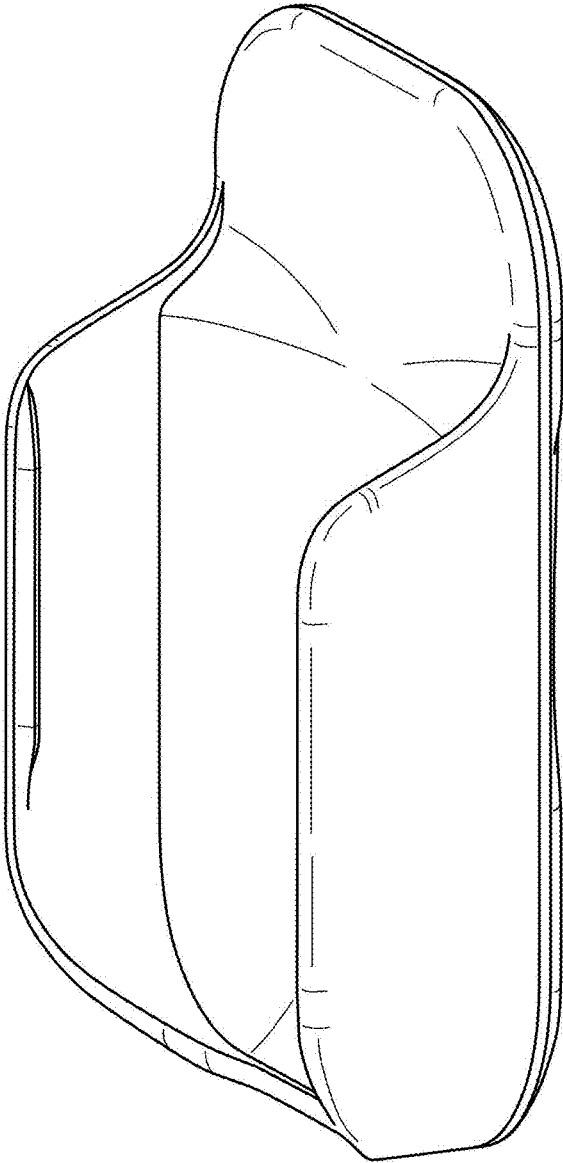


FIG. 1

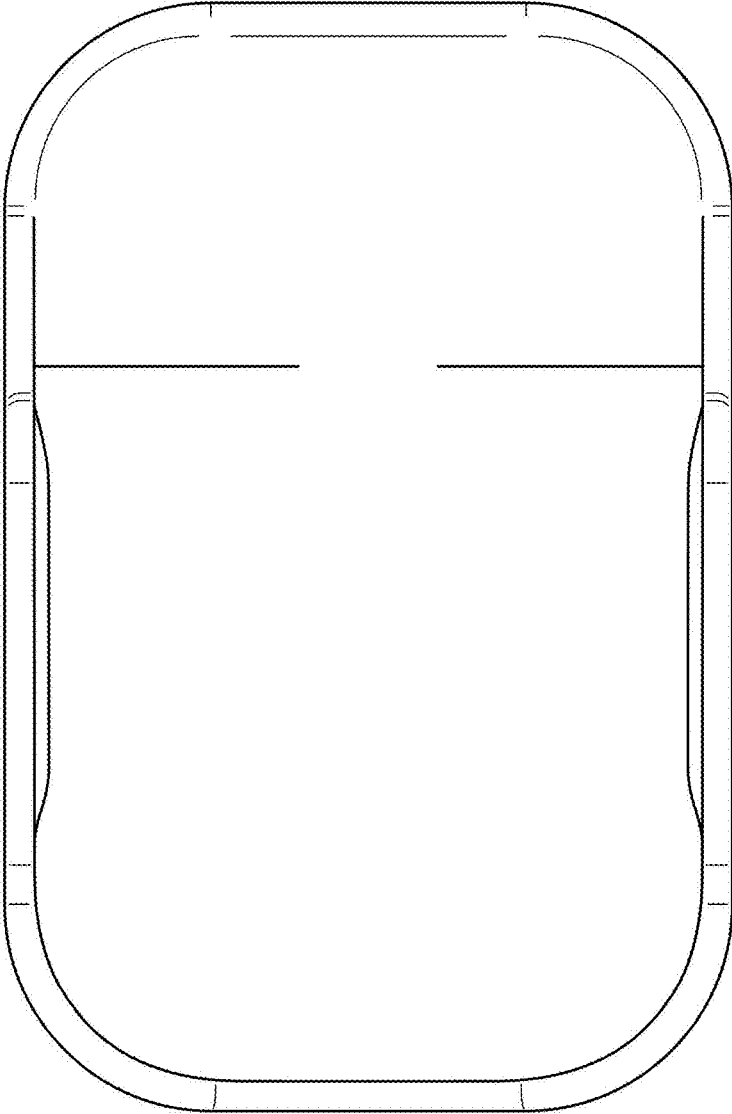


FIG. 2

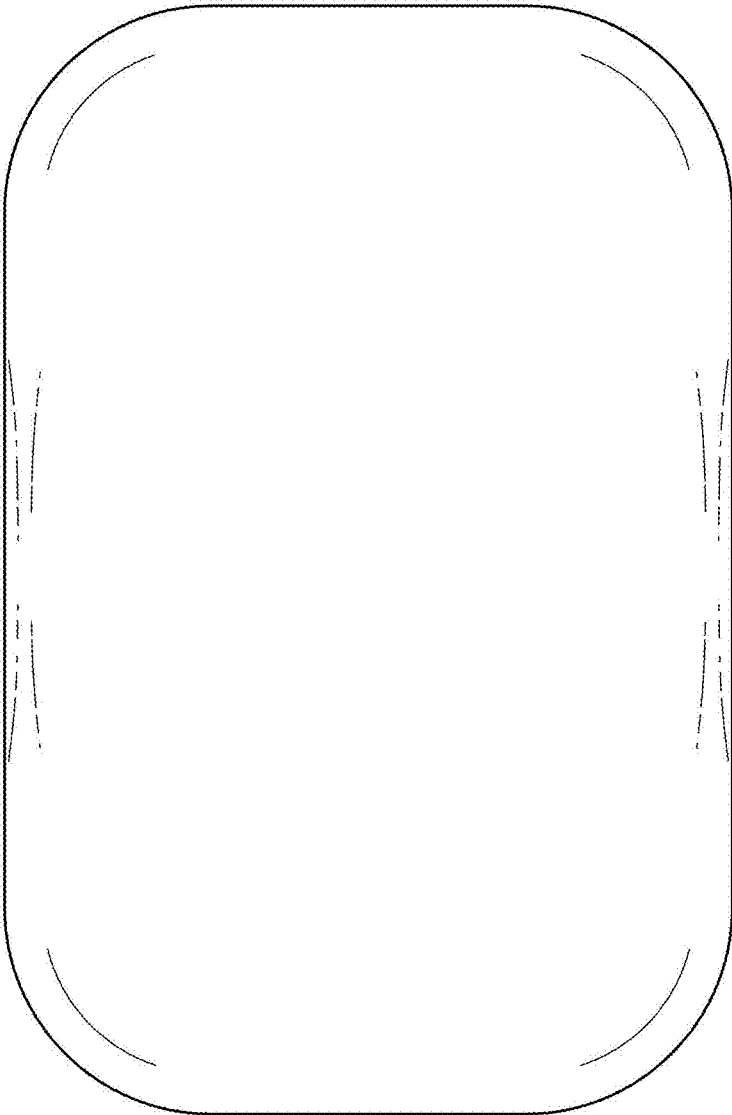


FIG. 3

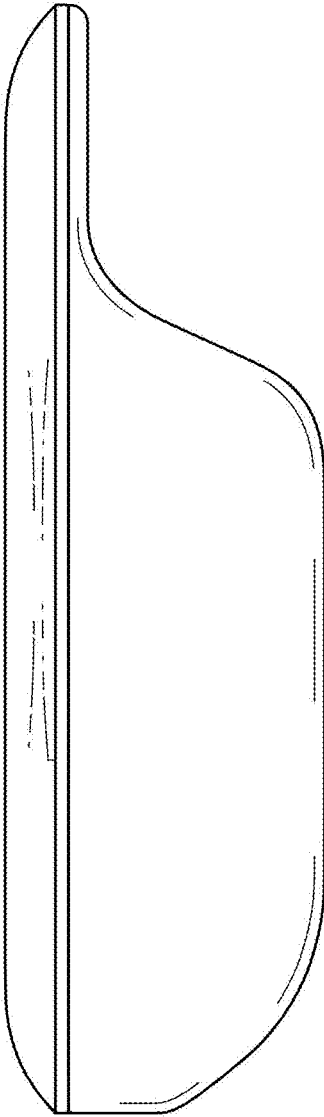


FIG. 4

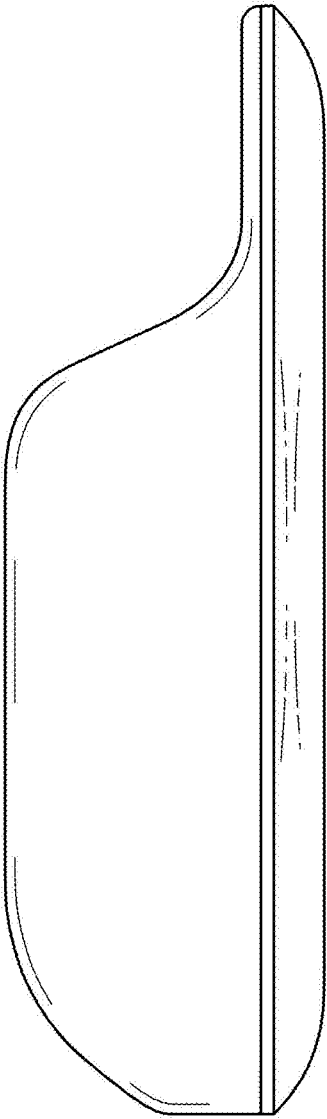


FIG. 5

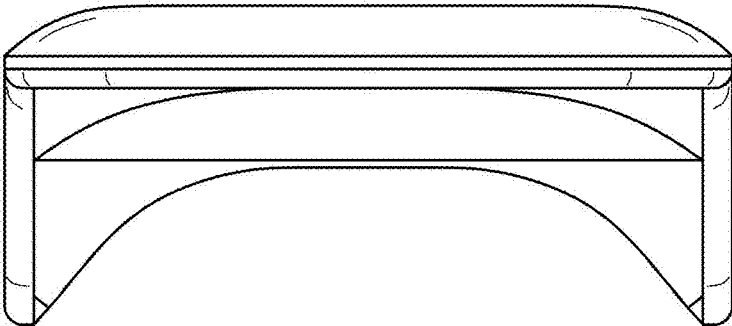


FIG. 6

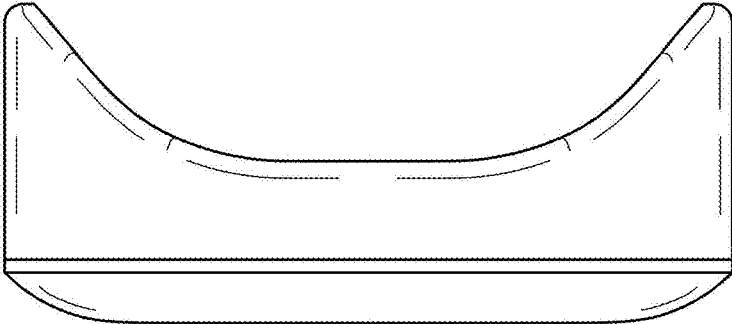


FIG. 7

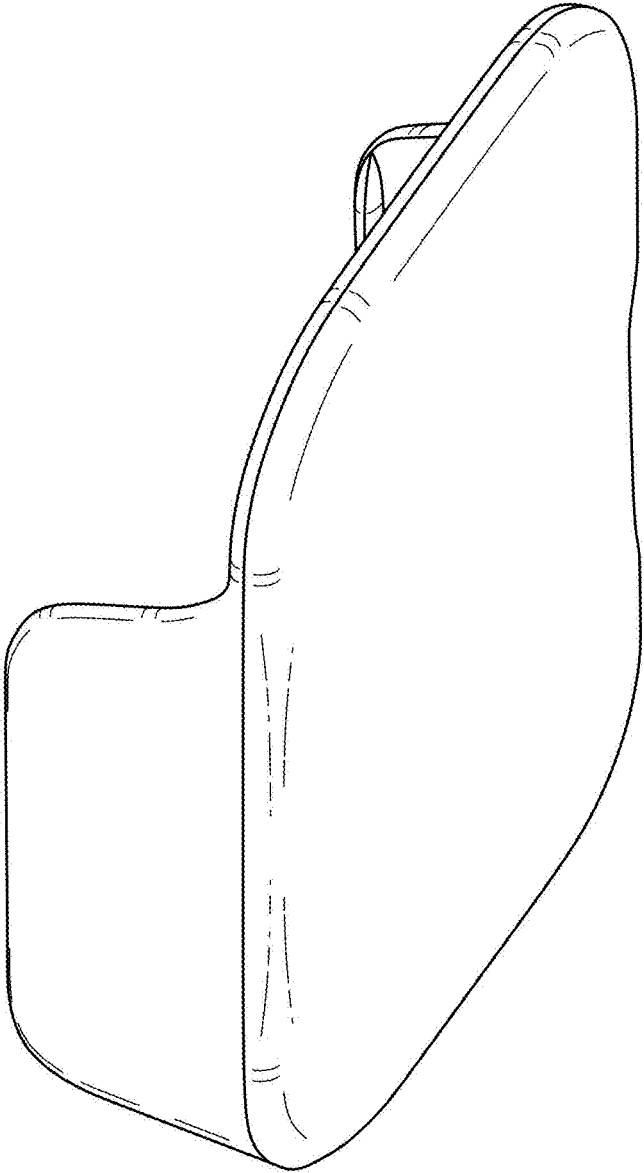


FIG. 8