



US00D418600S

United States Patent [19]
Haerle

[11] **Patent Number: Des. 418,600**
[45] **Date of Patent: ** Jan. 4, 2000**

- [54] **INHALER CLIP**
- [76] Inventor: **Charmaine Haerle**, 3102 N. 76th Ave., Elmwood Park, Ill. 60707
- [**] Term: **14 Years**
- [21] Appl. No.: **29/080,187**
- [22] Filed: **Dec. 4, 1997**
- [51] **LOC (7) Cl.** **24-02**
- [52] **U.S. Cl.** **D24/128; D24/110**
- [58] **Field of Search** D24/710, 128, D24/127; 128/200.23, 200.24, 200.16, 200.18, 200.14, 200.25; 248/229.13, 298

5,746,197 5/1998 Williams 128/200.23

Primary Examiner—Stella Reid
Assistant Examiner—I. Simmons

[57] **CLAIM**

The ornamental design for an inhaler clip, as shown.

DESCRIPTION

FIG. 1 is a left side elevational view of the inhaler clip of the present invention;
FIG. 2 is a right side elevational view of the inhaler clip of FIG. 1;
FIG. 3 is a back elevational view of the inhaler clip of FIG. 1;
FIG. 4 is a front elevational view of the inhaler clip of FIG. 1;
FIG. 5 is a top plan view of the inhaler clip of FIG. 1; and
FIG. 6 is a bottom plan view of the inhaler clip of FIG. 1.

- [56] **References Cited**
- U.S. PATENT DOCUMENTS**
- D. 220,805 5/1971 Ryder D24/110
- D. 286,816 11/1986 Newell D24/110

1 Claim, 3 Drawing Sheets

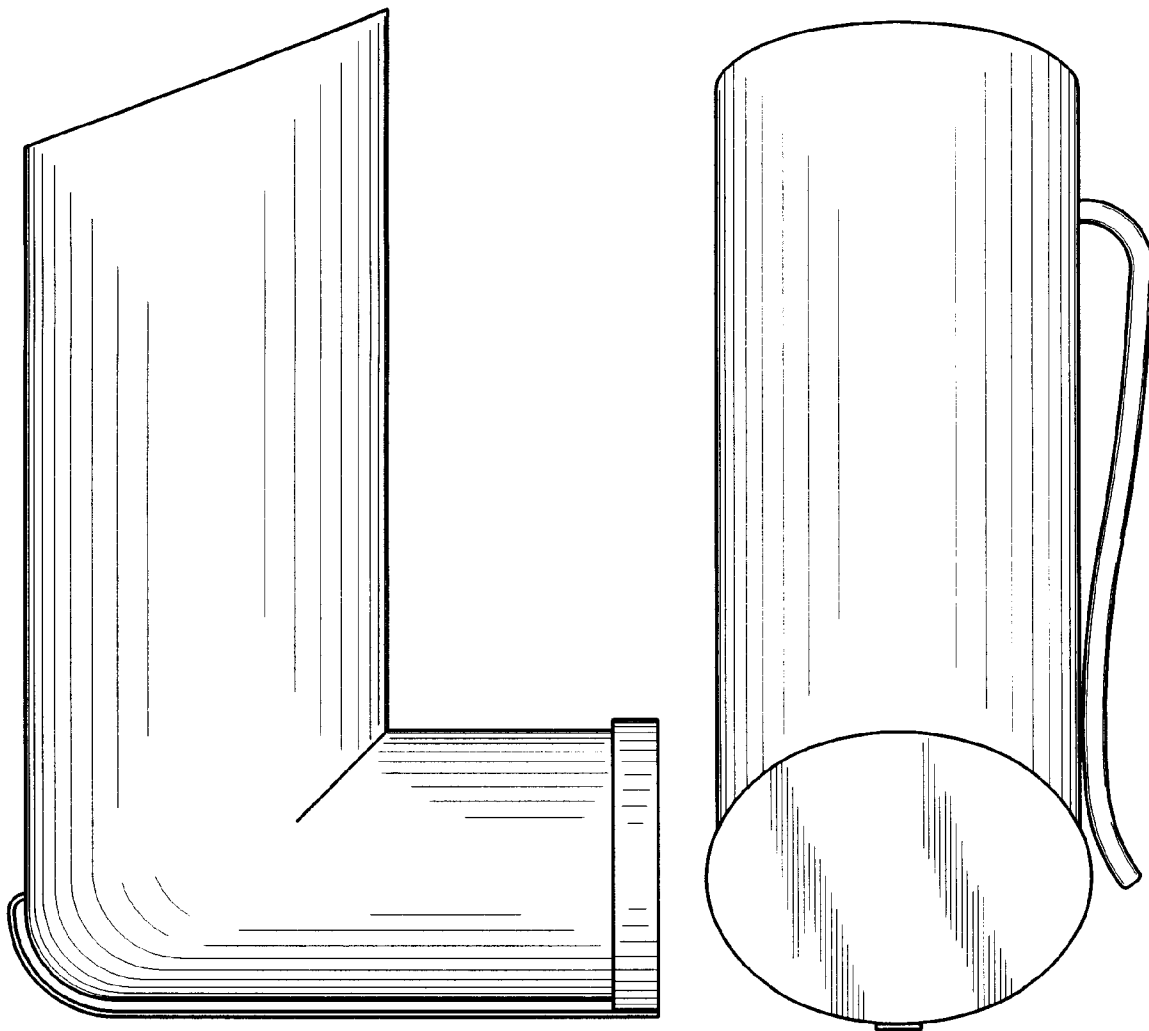


FIG. 1

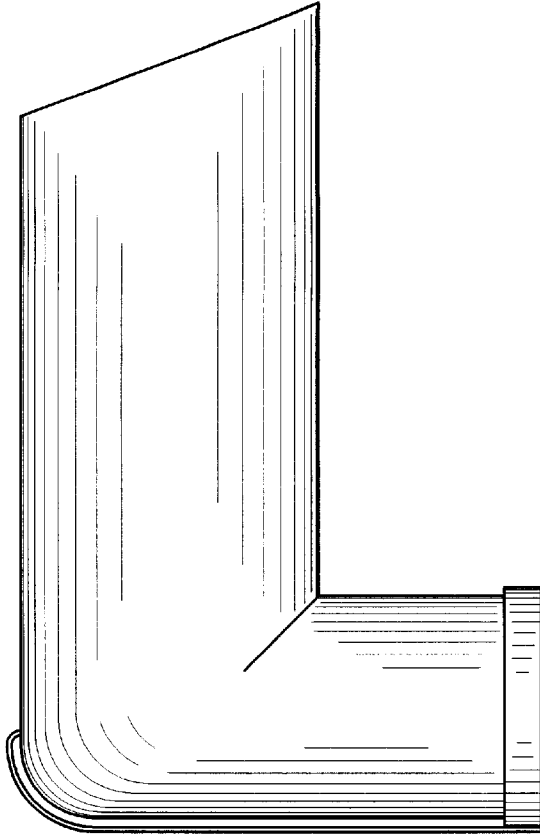


FIG. 2

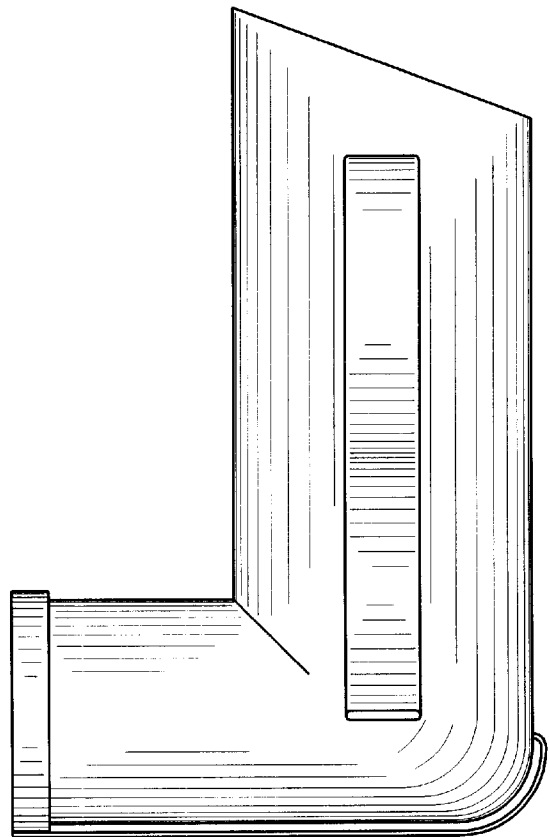


FIG. 3

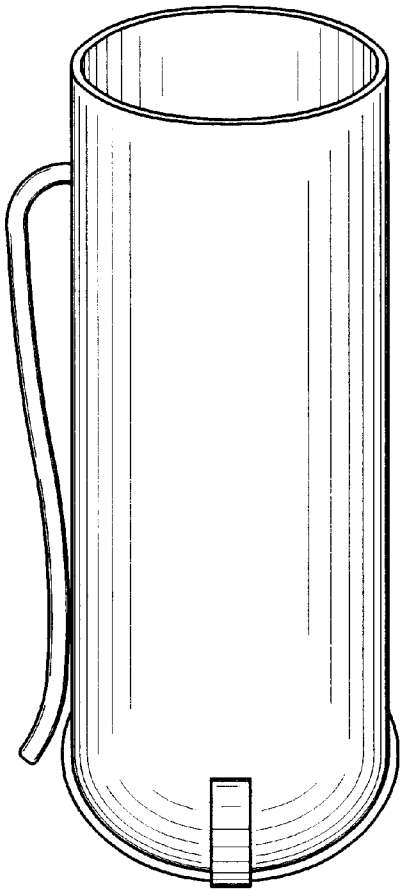


FIG. 4

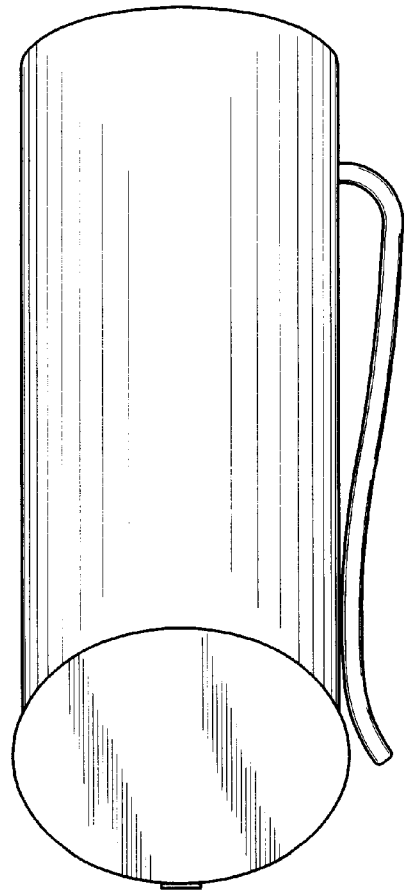


FIG. 5

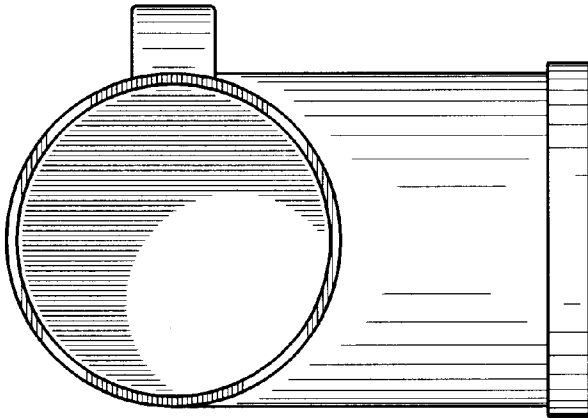


FIG. 6

