



INTERNATIONAL APPLICATION PUBLISHED UNDER THE PATENT COOPERATION TREATY (PCT)

<p>(51) International Patent Classification⁵ : A61M 5/20, 5/315</p>	<p>A1</p>	<p>(11) International Publication Number: WO 94/26331 (43) International Publication Date: 24 November 1994 (24.11.94)</p>
<p>(21) International Application Number: PCT/GB94/01036 (22) International Filing Date: 13 May 1994 (13.05.94) (30) Priority Data: 9310163.2 18 May 1993 (18.05.93) GB (71) Applicant (for all designated States except US): OWEN MUMFORD LIMITED [GB/GB]; Brook Hill, Woodstock, Oxford OX20 1TU (GB). (72) Inventors; and (75) Inventors/Applicants (for US only): MARSHALL, Jeremy [GB/GB]; 16 Cranham Street, Jericho, Oxford OX2 6DD (GB). TURNER, Derek [GB/GB]; 24 Fettiplace Road, Witney, Oxfordshire OX8 5AW (GB). (74) Agents: LAINE, Simon, James et al.; Wynne-Jones, Laine & James, 22 Rodney Road, Cheltenham, Gloucestershire GL50 1JJ (GB).</p>		<p>(81) Designated States: JP, US, European patent (AT, BE, CH, DE, DK, ES, FR, GB, GR, IE, IT, LU, MC, NL, PT, SE). Published <i>With international search report. Before the expiration of the time limit for amending the claims and to be republished in the event of the receipt of amendments.</i></p>
<p>(54) Title: IMPROVEMENTS RELATING TO INJECTION DEVICES</p>		
<p>(57) Abstract</p> <p>An injection device is adapted to eject a sequence of doses from the needle (8) of a capsule (5) carried within its barrel-like body (1). A plunger (11) extending rearwardly from the capsule (5) has ratchet teeth (12) along its length engaged by pawls (21) at the forward end of a drive tube (23) biased forwardly by a spring (29) and manipulable by a knob (24) at the rear end of the body (1). The capsule (5) is in a sleeve-like carrier (4) having limited longitudinal travel, a lost motion connection (18, 19) to the drive tube (23) and an engagement with the ratchet teeth (12) by pawls (13). The drive tube (23) can be releasably retained in a rearward position by a trigger mechanism (26). When released, the drive tube (23) urges the plunger (11), capsule (5) and carrier (4) forwards to project the needle (8). The liquid charge acts effectively as a solid. With the carrier (4) stopped, the plunger (11) carries on to eject a dose, clicking past the carrier pawls (13). The re-prime, the knob (24) is pulled to retract the drive tube (23) and the carrier (4), the lost motion connection (18, 19) allowing the drive tube (23) to move further and have its pawls (21) click back along the plunger (11) until the trigger mechanism (26) re-engages.</p>		

FOR THE PURPOSES OF INFORMATION ONLY

Codes used to identify States party to the PCT on the front pages of pamphlets publishing international applications under the PCT.

AT	Austria	GB	United Kingdom	MR	Mauritania
AU	Australia	GE	Georgia	MW	Malawi
BB	Barbados	GN	Guinea	NE	Niger
BE	Belgium	GR	Greece	NL	Netherlands
BF	Burkina Faso	HU	Hungary	NO	Norway
BG	Bulgaria	IE	Ireland	NZ	New Zealand
BJ	Benin	IT	Italy	PL	Poland
BR	Brazil	JP	Japan	PT	Portugal
BY	Belarus	KE	Kenya	RO	Romania
CA	Canada	KG	Kyrgystan	RU	Russian Federation
CF	Central African Republic	KP	Democratic People's Republic of Korea	SD	Sudan
CG	Congo	KR	Republic of Korea	SE	Sweden
CH	Switzerland	KZ	Kazakhstan	SI	Slovenia
CI	Côte d'Ivoire	LI	Liechtenstein	SK	Slovakia
CM	Cameroon	LK	Sri Lanka	SN	Senegal
CN	China	LU	Luxembourg	TD	Chad
CS	Czechoslovakia	LV	Latvia	TG	Togo
CZ	Czech Republic	MC	Monaco	TJ	Tajikistan
DE	Germany	MD	Republic of Moldova	TT	Trinidad and Tobago
DK	Denmark	MG	Madagascar	UA	Ukraine
ES	Spain	ML	Mali	US	United States of America
FI	Finland	MN	Mongolia	UZ	Uzbekistan
FR	France			VN	Viet Nam
GA	Gabon				

"Improvements relating to Injection Devices"

This invention relates to injection devices.

Often, when a sequence of injections is carried out, each time the entire contents of a capsule are ejected through the needle in a single stroke of a plunger. However, there are other circumstances where only a small amount of fluid should be used, and it is not always practical or economic to make a number of very small capsules and injection devices to cater for this. There is therefore a need for an injection device which can produce repeated measured doses from a single capsule. It is the aim of this invention to provide one.

According to the present invention there is provided an injection device with an elongate barrel-like body for giving a sequence of injections of liquid from a capsule, the capsule being carried therein in a manner allowing longitudinal movement between limiting positions, having a needle at one, forward end and a plunger extending rearwardly from the other end whose operation causes emission of doses through the needle, the device comprising spring drive means with a limited travel which, when energised, engages the plunger at a first position thereon and urges it forwardly, the drive in a first phase carrying the capsule from a rear to a forward limit, by virtue of a substantial hydraulic lock, to project the needle from the body, and in a second phase forcing the plunger alone on to eject a dose, manually operable priming means to re-energise the drive means and withdraw the capsule to its rear limit,

the plunger being carried with the capsule until the spring drive means re-engages the plunger at a second position more rearward thereon than the first position, and means for releasably holding the spring drive means energised after priming.

Thus, on the forward stroke, the plunger first pushes the capsule forwards to its limit by acting on the liquid in the capsule which is effectively solid, and then carries on more slowly to eject one dose. The plunger is then stopped, but at a position further forward with respect to the capsule than before that operation. For the next dose, the priming means pulls back the plunger and capsule and re-energises the spring drive means, which is temporarily held by a trigger mechanism. But before it achieves this, the capsule carrier will reach its rearward limit, while the drive means has its relationship to the plunger adjusted to compensate for the emission of one dose. The device is then ready for the next injection.

Preferably, the plunger and drive means have pawl and ratchet interengagement, positive in the drive direction, the ratchet teeth generally being on the plunger while the pawl is on the drive means.

The capsule may be mounted in a carrier capable of longitudinal movement within the body, limited by stops. It too preferably has a pawl to engage the ratchet teeth, and it will then also have a lost motion connection with the drive means. During the first phase of the drive stroke the carrier is driven directly via the plunger, the liquid and

the capsule and the lost motion connection contributes nothing. But during the second phase of the drive stroke, with the carrier arrested, the carrier pawl has its engagement with the teeth shifted to the rear as the lost motion connection allows relative movement between the drive means and the carrier. After injection and when the device is primed again, the lost motion connection ensures that both carrier and drive means are withdrawn by different amounts, allowing the pawl of the drive means to have its engagement with the teeth shifted to the rear. These shifts, and the scope of the lost motion, correspond to the movement of the plunger relative to the capsule when ejecting a single dose.

Conveniently, the drive means includes a tubular member sleeved over the plunger with coil spring means encircling it and effectively reacting against the body. The priming means may simply be a knob on the end of the tubular member accessible at the rear end of the body.

The means for releasably holding the drive means may be a trigger device carried by the body and arranged to engage a detent on the tubular member when that member is withdrawn rearwardly from the body to a predetermined extent. Preferably, it comprises diametrically opposed pads accessible outside the body and connected by springy webs within the body which encircle the tubular member to engage diametrically opposed detents on that member when withdrawn. Squeezing of the pads together causes the webs to diverge and release from the detents. Conveniently, the or each detent has a snap action engagement with the trigger when

the tubular member reaches its predetermined withdrawn position.

For a better understanding of the invention, one embodiment will now be described, by way of example, with
5 reference to the accompanying drawings, in which:

Figure 1 is an axial section of an injection device,

Figure 2 is a cross section on the line II-II of Figure
1,

Figure 3 is an axial section, to an enlarged scale, of
10 part of the device of Figure 1, the sectional plane being at right angles to that of Figure 1,

Figure 4 is a detail of a lost motion coupling also shown in Figure 3,

Figure 5 shows further axial sections of the device in
15 various stages of operation, and

Figure 6 shows side views of the device in various stages of operation.

The device has a cylindrical barrel 1 comprising two tubes 2 and 3 with a telescoped joint. Within the forward,
20 longer cylindrical tube 2 there is a co-axial sleeve 4 inside which is carried a capsule 5 containing the liquid to be injected. It has a piston 6 initially near its rear end when the capsule is full, and its forward end has a neck fitted with a cap 7 which seals the capsule by a membrane
25 and which locates within a reduced forward end portion of the sleeve 4. A needle assembly 8 can be screwed over this reduced forward end and, when fully fitted, the rear end of the needle penetrates the membrane to open a very fine

passage for the liquid in the capsule through the needle.

The needle assembly 8 is largely shrouded by a cylindrical insert 9 which plugs into the forward end of the tube 2. When the needle is retracted, as shown in Figure 1, the tip is within this insert 9, but when the device is fired as will be described later, the needle will project proud of the insert 9. The extent of this projection, and hence the depth to which the needle will penetrate, may be determined by the setting of the insert 9. As shown in Figure 1, it plugs fully into the tube 2, giving a maximum projection of the needle when used. But it could be removed, rotated and plugged in again, and with appropriate formations, such as co-operating grooves and ribs, it may then be set to extend the barrel 1 slightly, and thus reduce the amount of needle penetration. As seen in Figure 6, the tube 2 has an elongate window 10 in which part of the insert 9 will appear, and this may have a marking to indicate, in millimetres for example, the amount of penetration given by that setting.

The piston 6 abuts a rearwardly extending rod 11 which is formed with ratchet teeth 12, their pitch corresponding to the dosage delivered by one actuation of the device. The steep, abutment faces of the ratchet teeth face rearwardly and are engaged by two sets of pawls. One set of pawls 13 incline forwardly and inwardly from a cage-like formation at the rear end of the sleeve 4. This terminates in a disc 14 centrally apertured for free passage of the rod 11 and of larger diameter than the main body of the sleeve 4 so that it provides an outer annular rib 15 whose forward face

initially abuts against an internal rib 16 of the tube 2. These ribs 15 and 16 and the interior of the insert 9 maintain the sleeve 4 co-axial with the barrel 1.

Extending further rearwardly from the disc 14 there are two parallel diametrically opposed fingers 17 with outwardly projecting studs 18 at their free ends. These engage in slots 19 in associated parallel legs 20 which alternate circumferentially with the pawls 21 of the other set engaging the teeth 12. The legs 20 and pawls 21 extend forwardly from an annular flange 22 at the forward end of a tube 23 which sleeves over the rod 11 and which has a priming knob 24 at its rear end, beyond the barrel 1. At an intermediate point of the tube 23 there are diametrically opposed external abutments 25 in the form of saw teeth with the sloping sides facing rearwardly and the steep sides facing forwardly.

Near the rear end of the tube 3 there is a release mechanism 26. This comprises two diametrically opposed pads 27 located within apertures in the tube 3 and connected by resilient, flexible webs 28 which spread to embrace the tube 23. These pads 27 are normally proud of the exterior of the tube 3. Between the rear face of the flange 22 and this release mechanism 26 there is a coil spring 29 surrounding the tube 23.

For use, it will be assumed that the insert 9 will be fitted at the appropriate setting and that a needle cover 30, which is usually provided as shown in Figure 6, has been removed. The device is then in the condition as shown at A

in Figure 5 and C in Figure 6 with the ribs 15 and 16 abutting, the spring 29 extended and relaxed, and the studs 18 at the rear ends of the slots 19.

The user primes the device by grasping the barrel 1 in one hand and pulling the knob 24 by the other. The sleeve 4 has very little resistance to rearward movement from its initial position and, by virtue of the pawls 21 at least, the tube 23 does exert some grip on the rod. Therefore, pulling the knob 24 also draws back the rod 11 and that, acting through the pawls 13, carries the sleeve 4 and the capsule 5 with it. Thus the tip of the needle is withdrawn within the insert 9. This position is shown at B in Figure 5 and D in Figure 6.

The rearward movement of the sleeve 4, the capsule 5 and the rod 11 is limited by the rib 15 coming up against the forward end 31 of the tube 3. However, the tube 23 can continue by virtue of the lost motion mechanism provided by the studs 18 and the slots 19, and as it does so the abutments 25 which have wedged between the webs 28 pass to the rear of the release mechanism 26 as shown at C in Figure 5, and in Figure 1. This extra movement of the tube 23 means that the pawls 21 click over one pair of teeth 12 on the rod 11.

In the event of any resistance to the free rearward movement of the sleeve 4, the tube 23 will at first move independently. But the lost motion connection will ensure that, after it has travelled the pitch of one pair of teeth 12, the sleeve 4 will follow, and will reach its rearward

limit as the abutments 25 snap past the webs 28. Thus the relative displacement between the pawls 13 and the pawls 21 is limited to a distance equal to the pitch of one pair of teeth 12.

5 In any event, whatever the sequence of movement of the sleeve 4 and the tube 23, the device is now primed.

For the actual injection, the insert 9 is held against the user's skin, and the pads 27 are squeezed. This spreads the webs 28 sufficiently for them radially to clear the
10 abutments 25. The spring 29 can now exert itself and push the tube 23 forwards. By the engagement of the pawls 21 with the rod 11, the latter is also pushed forwards. Since, by virtue of the liquid in the capsule 5 and the very fine bore of the needle, the piston 6 is virtually solid with the
15 capsule, the first effect is for the piston to carry the sleeve 4 and capsule 5 forwards, projecting the needle. But this movement is arrested when the ribs 15 and 16 re-engage. This is shown at D in Figure 5. But there is still scope for further movement of the tube 23, and the spring 29 now
20 pushes the piston 6 alone, via the pawls 21 and the rod 11, until the rear ends of the slots 19 come up against the now stationary studs 18 and/or the flange 22 abuts against an internal shoulder 32 of the tube 3. This movement forces out a measured dose from the capsule 5. During this second
25 phase the pawls 13 click over one pair of teeth and so the device is then in its original condition, except that the pawls 13 and 21 each engage the pairs of teeth 12 one further back from the pairs previously engaged.

Further injections can be carried out by the same process and it will be seen that the same dose will be administered each time, corresponding to the pitch of the teeth 12.

5 The ratchet teeth 12 may be annular so that it will not matter how the capsule 5 is rotationally positioned. Alternatively, and as illustrated in Figures 2 and 3, they may form sunken racks along diametrically opposite sides of the rod 11. The pawls will thus be confined by the shoulders along the sides of the racks and prevent the parts that
10 move longitudinally of the barrel 1 mutually rotating. However, with separate, diametrically opposed abutments 25, provision may be made to stop this assembly as a whole rotating. If the tube 23 was twisted by the knob 24 from
15 the Figure 2 position, it could release the abutments 25 from the webs 28. The flange 22 could have one or more lugs engaged in longitudinal grooves on the inside of the tube 3, for example. Alternatively, the abutments 25 could be combined into an annular, tooth-sectioned rib so that
20 twisting the knob 24 would have no effect.

CLAIMS

1. An injection device with an elongate barrel-like body (1) for giving a sequence of injections of liquid from a capsule (5), the capsule (5) being carried therein in a manner allowing longitudinal movement between limiting positions, having a needle (8) at one, forward end and a plunger (11) extending rearwardly from the other end whose operation causes emission of doses through the needle (8), the device comprising spring drive means (23,29) with a limited travel which, when energised engages the plunger (11) at a first position thereon and urges it forwardly, the drive in a first phase carrying the capsule (5) from a rear to a forward limit, by virtue of a substantial hydraulic lock, to project the needle (8) from the body, and in a second phase forcing the plunger (11) alone on to eject a dose, manually operable priming means (24) to re-energise the drive means (23,29) and withdraw the capsule (5) to its rear limit, the plunger (11) being carried with the capsule (8) until the spring drive means (23,29) re-engages the plunger at a second position more rearward thereon than the first position, and means (25,28) for releasably holding the spring drive means (23,29) energised after priming.

2. An injection device as claimed in Claim 1, characterised in that the plunger (11) and drive means (23,29) have pawl (21) and ratchet (12) interengagement, positive in the drive direction.

3. An injection device as claimed in Claim 2,

characterised in that the ratchet teeth (12) are on the plunger (11) and the pawl (21) is on the drive means (23,29).

4. An injection device as claimed in Claim 1, 2 or 3, characterised in that the capsule (5) is mounted in a carrier (4) capable of longitudinal movement within the body, limited by stops (16,31).

5. An injection device as claimed in Claims 3 and 4, characterised in that the carrier (4) has a pawl (13) to engage the ratchet teeth (12) and a lost motion connection (18,19) with the drive means (23,29) whereby, on the second phase of the drive stroke, the carrier pawl (13) has its engagement with the teeth (12) shifted to the rear as the lost motion connection (18,19) allows relative movement between the drive means (23,29) and the carrier (4), and whereby, on priming, the lost motion connection (18,19) ensures that both carrier (4) and drive means (23,29) are withdrawn but allows the pawl (21) of the drive means (23,29) to have its engagement with the teeth (12) shifted to the rear.

6. An injection device as claimed in any preceding claim, characterised in that the drive means (23,29) includes a tubular member (23) sleeved over the plunger (11) with coil spring means (29) encircling it and effectively reacting against the body (1).

7. An injection device as claimed in Claim 6, characterised in that the priming means is a knob (24) on the end of the tubular member (23) accessible at the rear

end of the body (1).

8. An injection device as claimed in Claim 6 or 7, characterised in that the means (25,28) for releasably holding the drive means (23,29) is a trigger device (26) carried by the body (1) and arranged to engage a detent (25) on the tubular member (23) when that member is withdrawn rearwardly from the body to a predetermined extent.

9. An injection device as claimed in Claim 8, characterised in that the trigger device (26) comprises diametrically opposed pads (27) accessible outside the body (1) and connected by springy webs (28) within the body which encircle the tubular member (23) to engage diametrically opposed detents (25) on that member when withdrawn, squeezing of the pads (27) together causing the webs (28) to diverge and release from the detents (25).

10. An injection device as claimed in Claim 8 or 9, characterised in that the or each detent (25) has a snap action engagement with the trigger device (26) when the tubular member (23) reaches its predetermined withdrawn position.

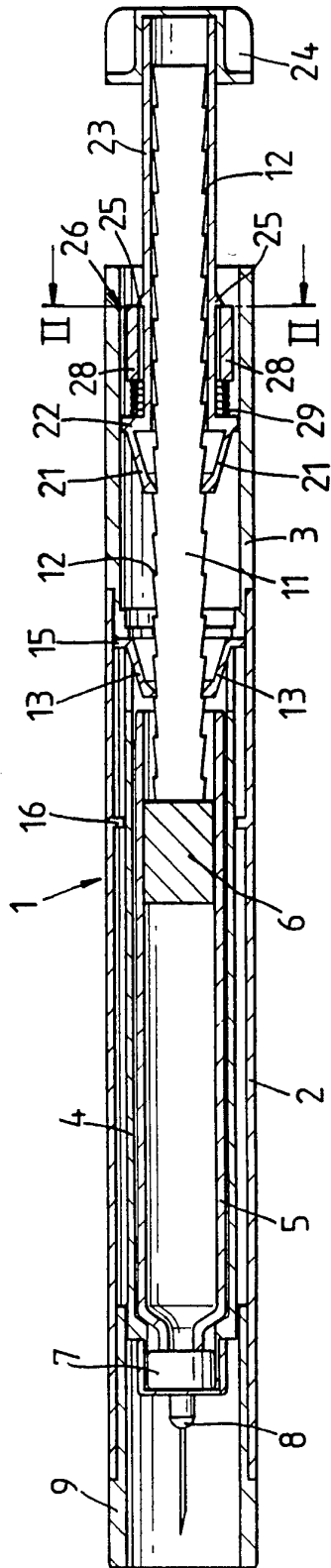


Fig. 1

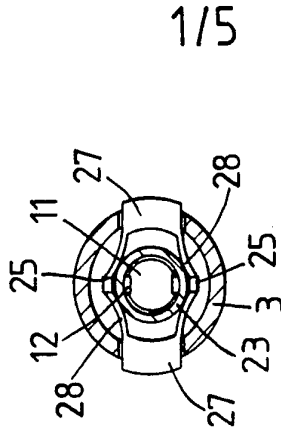


Fig. 2

1/5

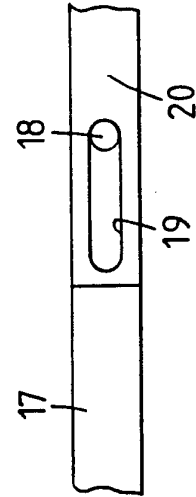


Fig. 4

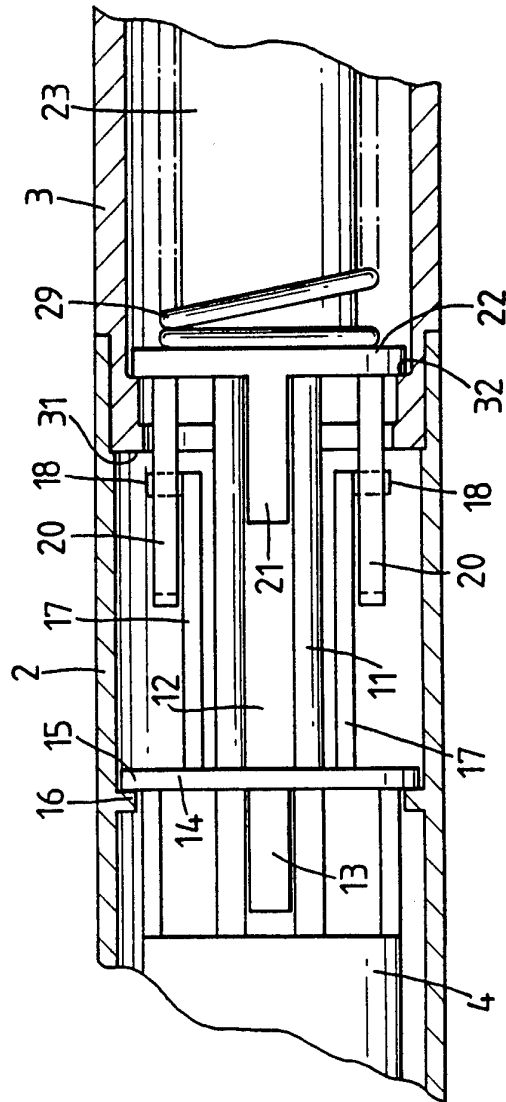


Fig. 3

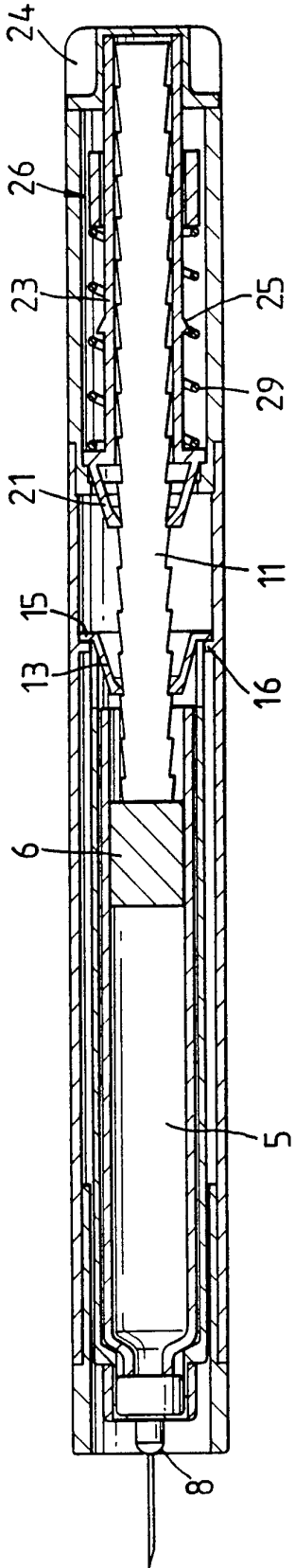


Fig. 5A

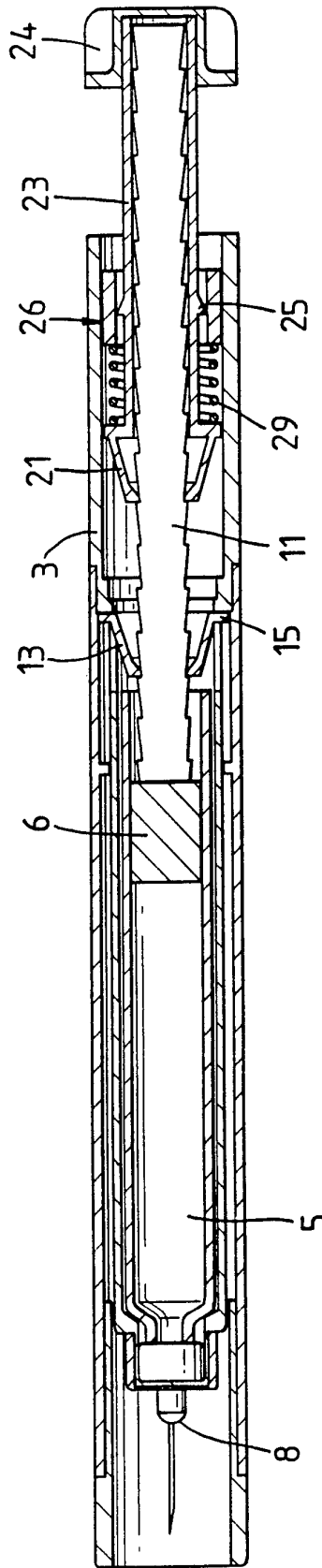


Fig. 5B

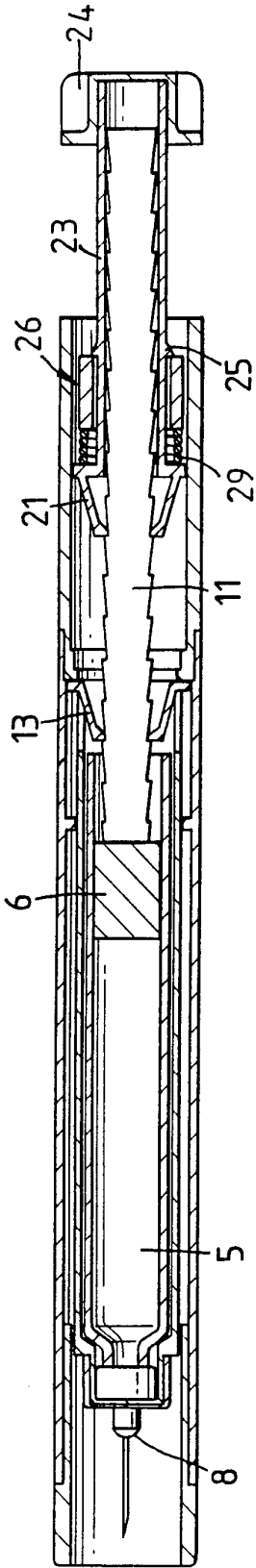


Fig. 5C

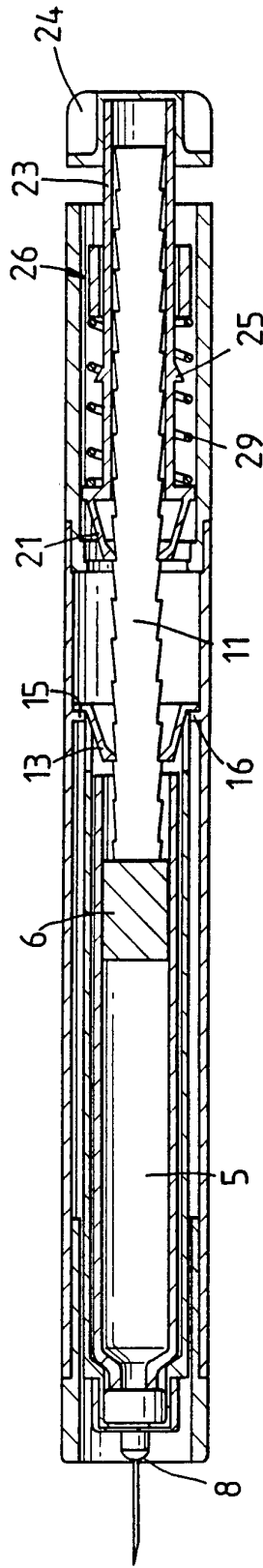


Fig. 5D

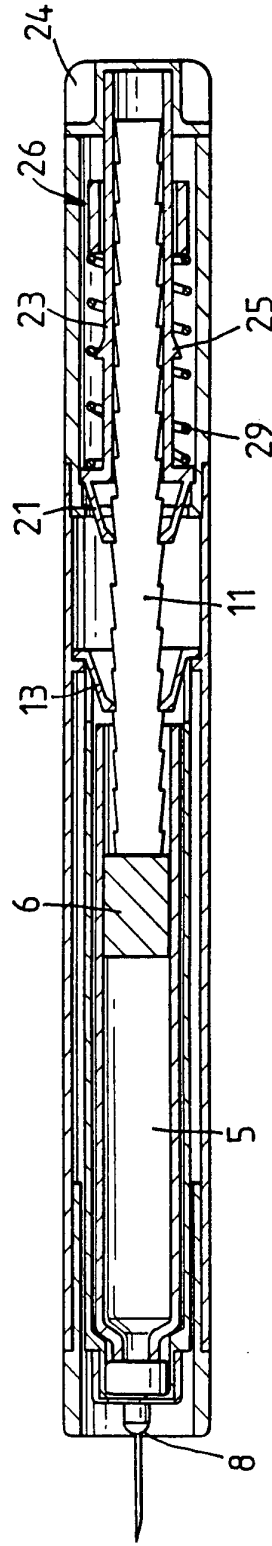


Fig. 5E

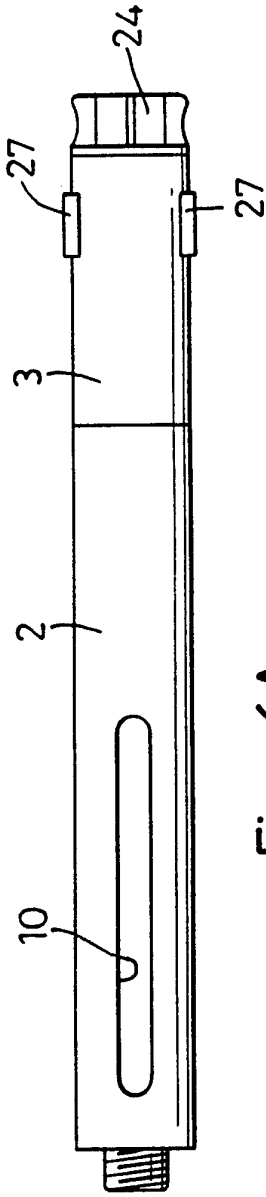


Fig. 6A

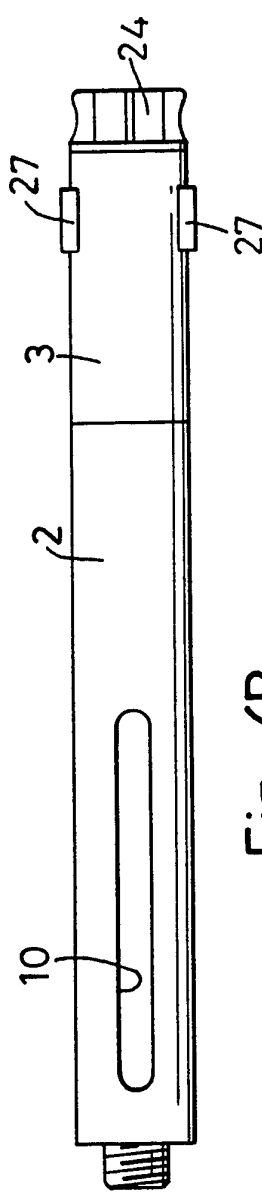


Fig. 6B

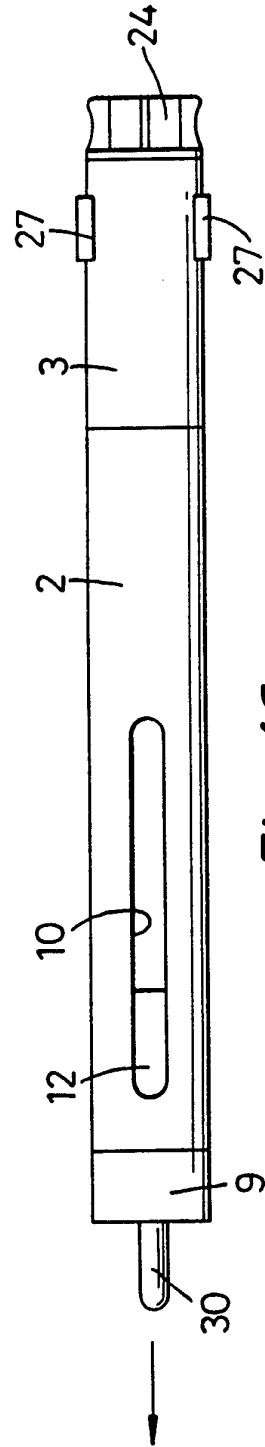
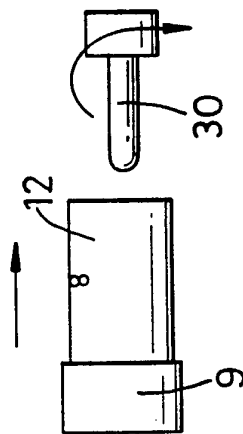


Fig. 6C



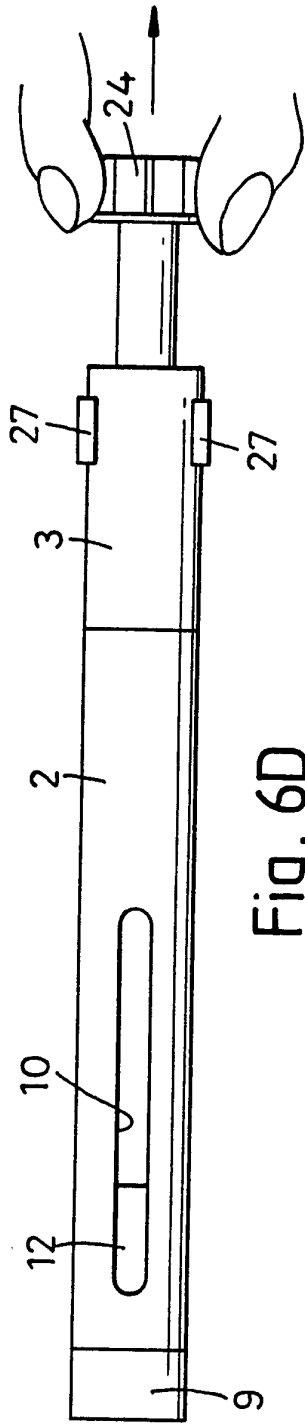


Fig. 6D

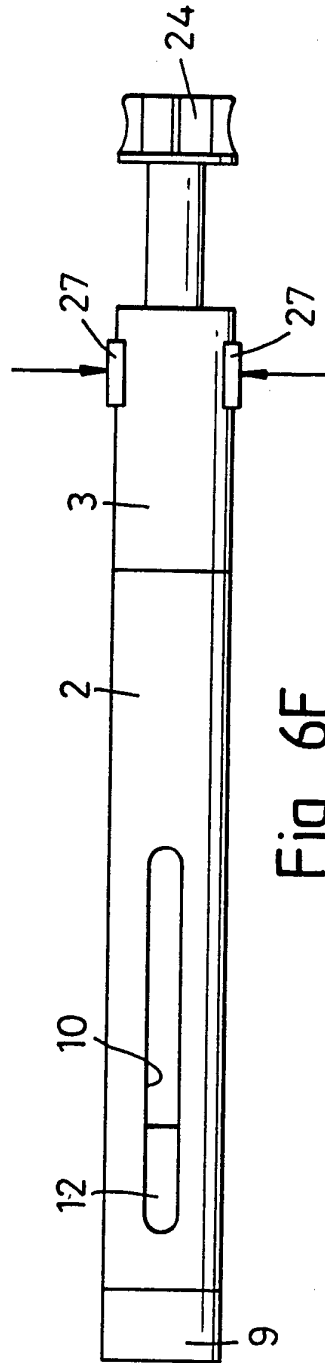


Fig. 6E

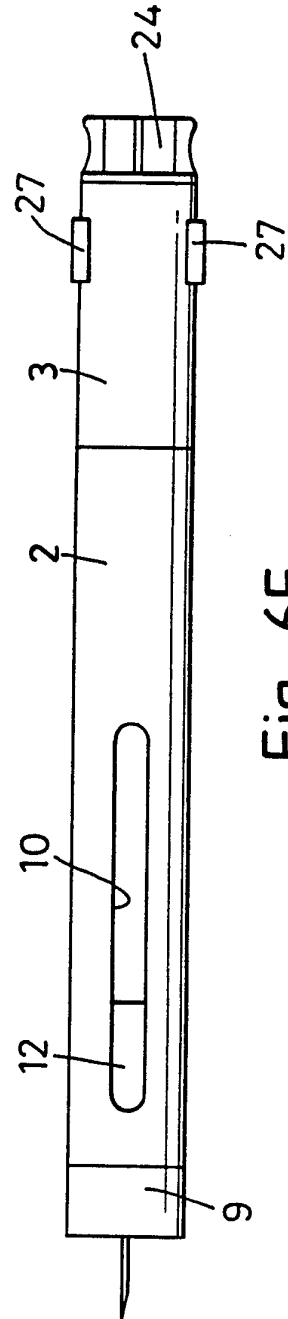


Fig. 6F

INTERNATIONAL SEARCH REPORT

Intern. Application No
PCT/GB 94/01036

A. CLASSIFICATION OF SUBJECT MATTER
IPC 5 A61M5/20 A61M5/315

According to International Patent Classification (IPC) or to both national classification and IPC

B. FIELDS SEARCHED

Minimum documentation searched (classification system followed by classification symbols)
IPC 5 A61M

Documentation searched other than minimum documentation to the extent that such documents are included in the fields searched

Electronic data base consulted during the international search (name of data base and, where practical, search terms used)

C. DOCUMENTS CONSIDERED TO BE RELEVANT

Category *	Citation of document, with indication, where appropriate, of the relevant passages	Relevant to claim No.
A	DE,A,37 15 258 (HASELMEIER) 24 November 1988 see the whole document, esp. column 13, line 64 ff; figures 2,3,4,5 ---	1
A	DE,A,36 38 984 (HASELMEIER) 26 May 1988 see the whole document -----	1

Further documents are listed in the continuation of box C. Patent family members are listed in annex.

* Special categories of cited documents :

<p>"A" document defining the general state of the art which is not considered to be of particular relevance</p> <p>"E" earlier document but published on or after the international filing date</p> <p>"L" document which may throw doubts on priority claim(s) or which is cited to establish the publication date of another citation or other special reason (as specified)</p> <p>"O" document referring to an oral disclosure, use, exhibition or other means</p> <p>"P" document published prior to the international filing date but later than the priority date claimed</p>	<p>"T" later document published after the international filing date or priority date and not in conflict with the application but cited to understand the principle or theory underlying the invention</p> <p>"X" document of particular relevance; the claimed invention cannot be considered novel or cannot be considered to involve an inventive step when the document is taken alone</p> <p>"Y" document of particular relevance; the claimed invention cannot be considered to involve an inventive step when the document is combined with one or more other such documents, such combination being obvious to a person skilled in the art.</p> <p>"&" document member of the same patent family</p>
--	--

Date of the actual completion of the international search 25 August 1994	Date of mailing of the international search report 14. 10. 94
--	---

<p>Name and mailing address of the ISA European Patent Office, P.B. 5818 Patentlaan 2 NL - 2280 HV Rijswijk Tel. (+31-70) 340-2040, Tx. 31 651 epo nl, Fax: (+31-70) 340-3016</p>	<p>Authorized officer TOMASELLI</p>
---	---

INTERNATIONAL SEARCH REPORT

Information on patent family members

Int'l. Application No

PCT/GB 94/01036

Patent document cited in search report	Publication date	Patent family member(s)	Publication date
DE-A-3715258	24-11-88	DE-A- 3873764	17-09-92
		WO-A- 8808725	17-11-88
		EP-A, B 0362222	11-04-90
		JP-B- 6002163	12-01-94
		JP-T- 2502971	20-09-90
		US-A- 5092842	03-03-92
DE-A-3638984	26-05-88	DE-A- 3715337	17-11-88
		EP-A, B 0268191	25-05-88
		JP-A- 63139563	11-06-88
		US-A- 5114406	19-05-92