



US00D469837S

(12) **United States Design Patent**
Arias

(10) **Patent No.:** **US D469,837 S**

(45) **Date of Patent:** **** Feb. 4, 2003**

(54) **BABY FLOAT**

(75) **Inventor:** **David A. Arias**, Virginia Beach, VA
(US)

(73) **Assignee:** **Swinways Corp.**, Virginia Beach, VA
(US)

(**) **Term:** **14 Years**

(21) **Appl. No.:** **29/164,158**

(22) **Filed:** **Jul. 18, 2002**

(51) **LOC (7) Cl.** **21-02**

(52) **U.S. Cl.** **D21/803**

(58) **Field of Search** D21/803, 801,
D21/804, 760, 769, 770, 809; D12/316;
441/129-132, 66, 67, 79, 40, 43, 35, 37,
81, 88; 114/345, 346; 472/129

(56) **References Cited**

U.S. PATENT DOCUMENTS

1,748,170 A	*	2/1930	Chesnut	441/131
1,838,086 A	*	12/1931	Farnstrom	441/131
1,960,474 A	*	5/1934	Browne	441/129
2,075,374 A	*	3/1937	Tucker	441/131

3,161,897 A	*	12/1964	Hill	441/129
3,425,071 A	*	2/1969	Frieder et al.	441/43
D280,122 S	*	8/1985	Maertin	D21/803
5,409,411 A	*	4/1995	Schrieber	441/129
D372,951 S	*	8/1996	Barth	D21/803
5,667,416 A	*	9/1997	Barth	441/130

* cited by examiner

Primary Examiner—Lucy Lieberman

(74) *Attorney, Agent, or Firm*—Kaufman & Canoles

(57) **CLAIM**

The ornamental design for a baby float, as shown and described.

DESCRIPTION

FIG. 1 is a top plan view of a baby float;
FIG. 2 is a front elevational view thereof;
FIG. 3 is a right side view thereof;
FIG. 4 is a top perspective view thereof;
FIG. 5 is a bottom perspective view thereof;
FIG. 6 is a bottom plan view thereof;
FIG. 7 is a rear elevational view thereof; and,
FIG. 8 is a left side view thereof.

1 Claim, 2 Drawing Sheets

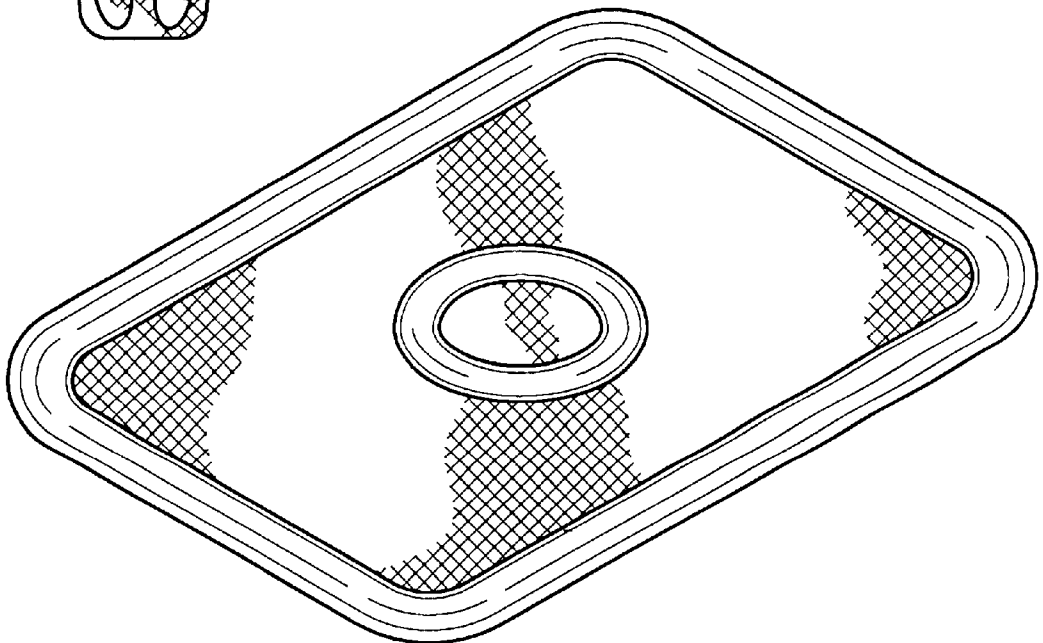
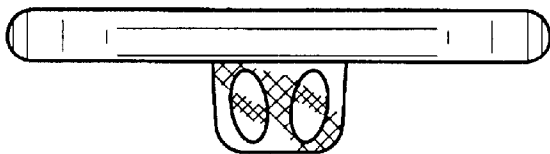


FIG.1

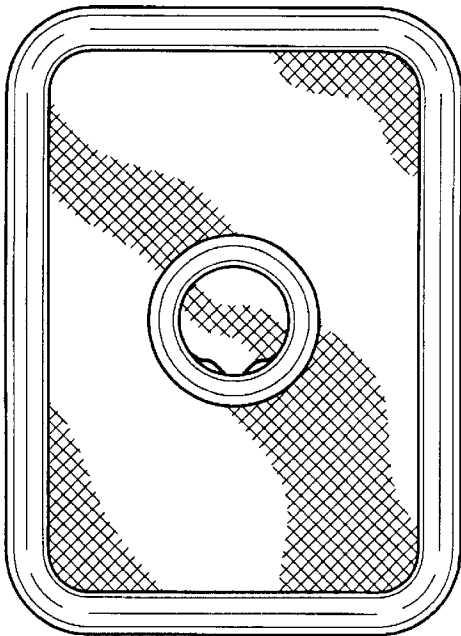


FIG.3

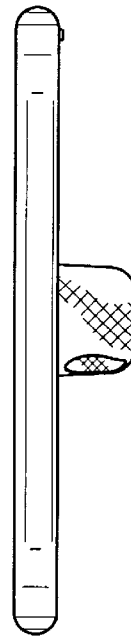


FIG.2

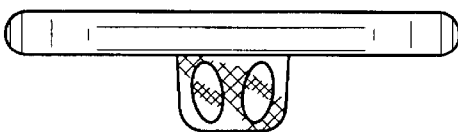


FIG.4

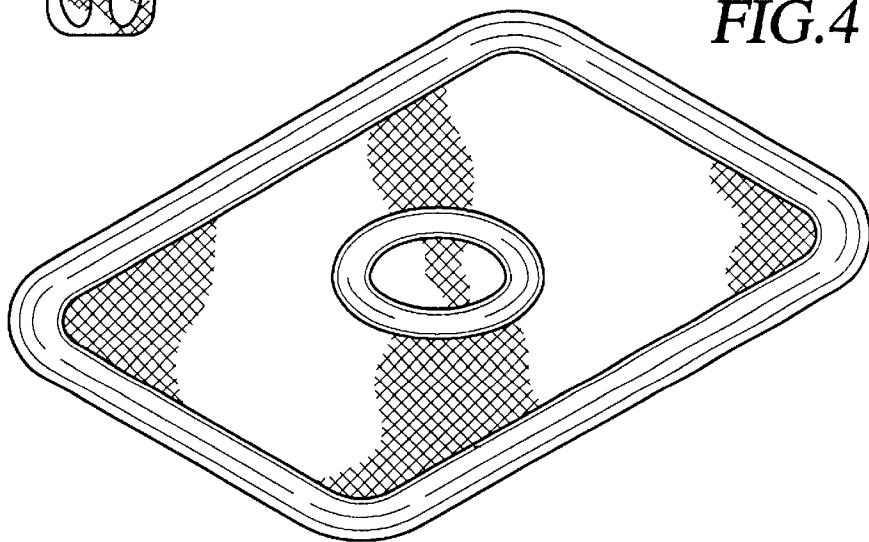


FIG.5

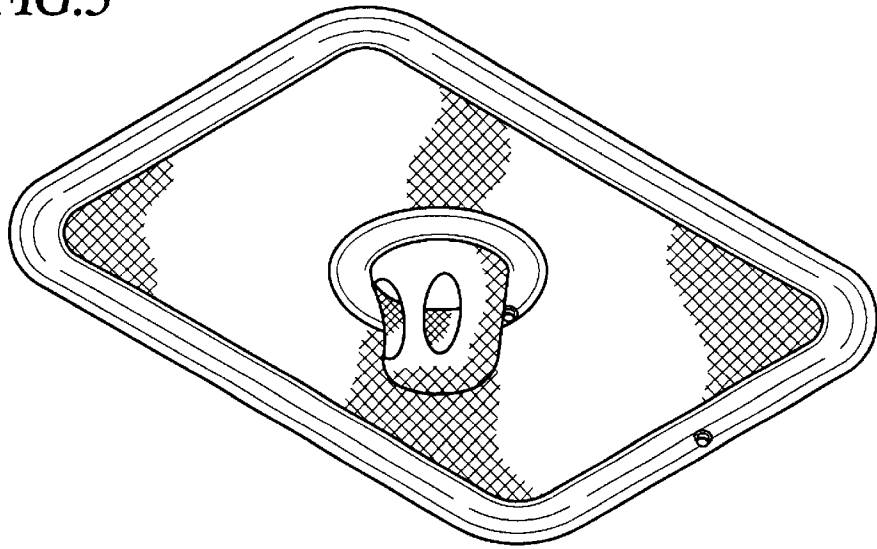


FIG.6

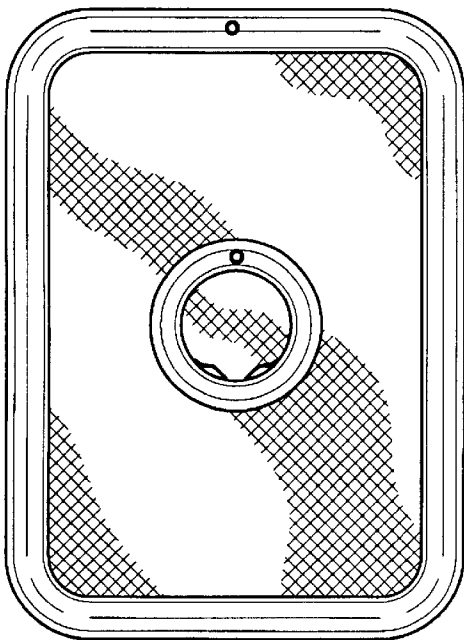


FIG.8

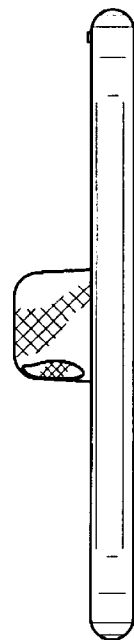


FIG.7

