



US00D435438S

United States Patent [19]
West

[11] **Patent Number: Des. 435,438**
[45] **Date of Patent: ** Dec. 26, 2000**

[54] **LOCKING HEAD FOR A BUNDLING STRAP**

[75] Inventor: **David W. West**, Naperville, Ill.

[73] Assignee: **Panduit Corp.**, Tinley Park, Ill.

[**] Term: **14 Years**

[21] Appl. No.: **29/119,126**

[22] Filed: **Feb. 24, 2000**

[51] **LOC (7) Cl.** **08-08**

[52] **U.S. Cl.** **D8/383; D11/218**

[58] **Field of Search** **D11/200-220,**
D11/224, 231; D8/382-396; 24/16 PB,
30.5 P; 248/74.3

[56] **References Cited**

U.S. PATENT DOCUMENTS

D. 253,164	10/1979	Ingram	D8/382
D. 313,343	1/1991	Sachs	D8/383
D. 335,835	5/1993	Marui	D11/218
D. 395,596	6/1998	Butera	D8/396
3,408,699	11/1968	Reynolds	.	
3,654,669	4/1972	Fulton	.	
3,739,429	6/1973	Kohke	.	
4,422,217	12/1983	Barrette	.	
4,653,155	3/1987	Hara	.	
4,680,834	7/1987	Andre et al.	.	
4,993,669	2/1991	Dyer	.	
5,102,075	4/1992	Dyer	.	

5,121,524	6/1992	Mortensen	.	
5,193,251	3/1993	Fortsch	.	
5,224,244	7/1993	Ikeda et al.	24/16 PB
5,544,391	8/1996	Hoffman	.	
5,715,578	2/1998	Knudson	24/16 PB

Primary Examiner—Louis S. Zarfaz
Assistant Examiner—Catherine R. Oliver
Attorney, Agent, or Firm—Robert A. McCann

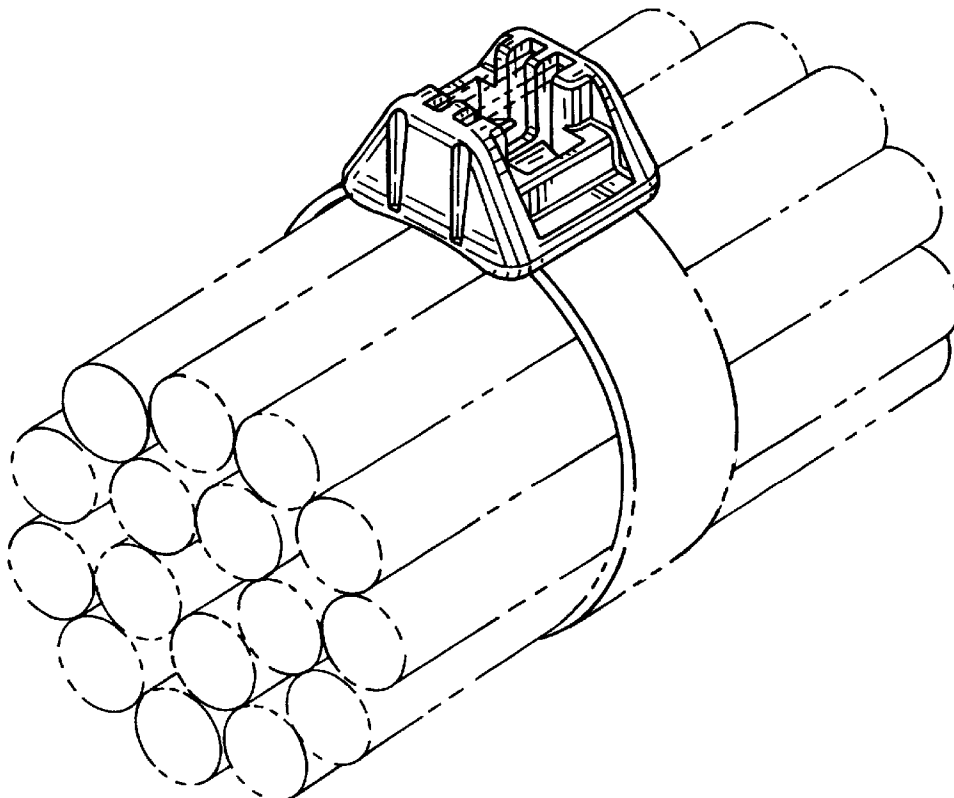
[57] **CLAIM**

The ornamental design for a locking head for a bundling strap, as shown and described.

DESCRIPTION

FIG. 1 is a top perspective view of the locking head showing my new design;
FIG. 2 is a bottom perspective view of the locking head of FIG. 1;
FIG. 3 is a first side elevational view, thereof;
FIG. 4 is a front elevational view thereof;
FIG. 5 is a second side elevational view thereof;
FIG. 6 is a rear elevational view thereof;
FIG. 7 is a top plan view thereof;
FIG. 8 is a bottom elevational view thereof; and,
FIG. 9 is a perspective view of the locking head shown engaged by a strap securing a bundle of wires, which are shown in broken lines for illustrative purposes only and form no part of the claimed design.

1 Claim, 3 Drawing Sheets



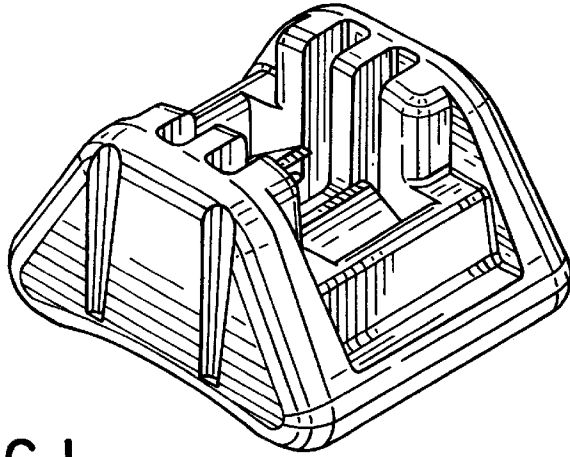


FIG. 1

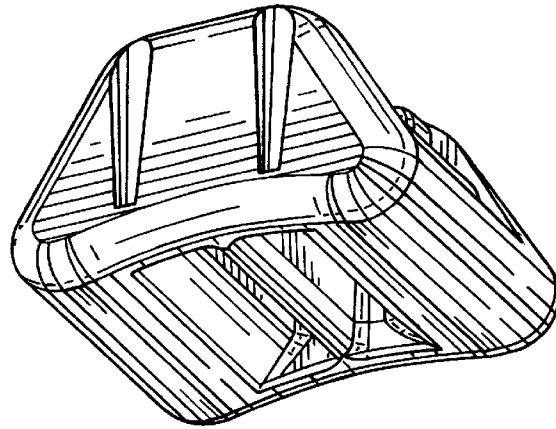


FIG. 2

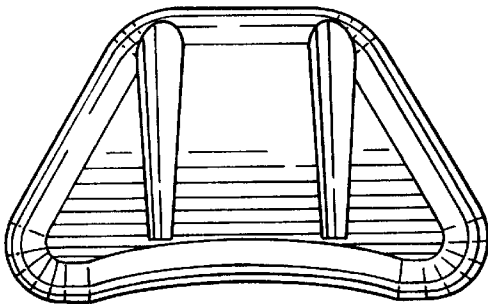


FIG. 3

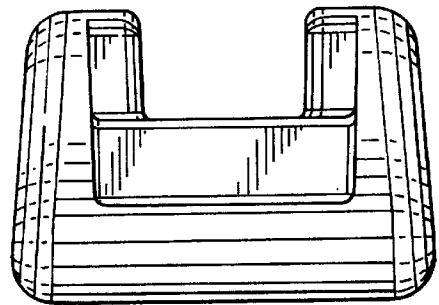


FIG. 4

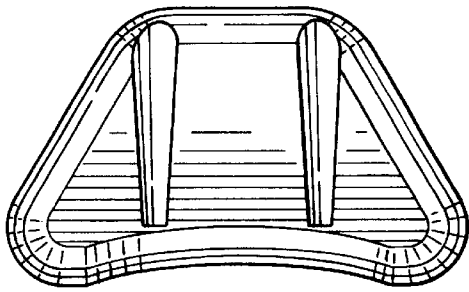


FIG. 5

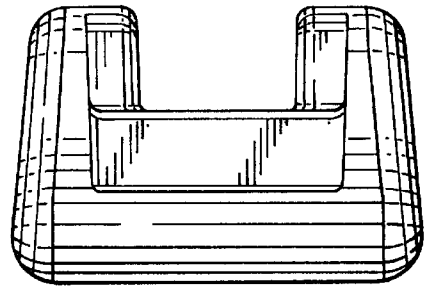


FIG. 6

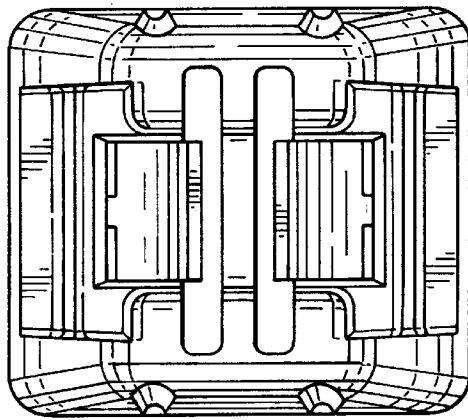


FIG. 7

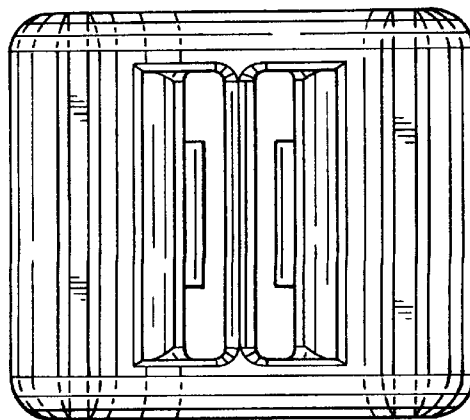


FIG. 8

