

[54] DUAL COMPARTMENT CONTAINER

[75] Inventor: Borge T. Hestehave, Ontario, Calif.

[73] Assignee: Bomatic, Inc., Ontario, Calif.

[21] Appl. No.: 251,999

[22] Filed: Apr. 8, 1981

[51] Int. Cl. .... D9-01

[52] U.S. Cl. .... D9/341; D9/374;  
D9/381

[58] Field of Search ..... D9/341, 376, 374, 378-383;  
215/1 R, 1 C, 6

[56] References Cited

U.S. PATENT DOCUMENTS

D. 194,486 1/1963 Hill ..... D9/374

D. 214,995 8/1969 Shutt ..... D9/374  
3,658,204 4/1972 Bottger ..... D9/341 X

Primary Examiner—Robert C. Spangler  
Attorney, Agent, or Firm—Antonelli, Terry & Wands

[57] CLAIM

The ornamental design for a dual compartment container, as shown and described.

DESCRIPTION

FIG. 1 is a right front perspective view of a dual compartment container showing my new design; FIG. 2 is a side elevational view, the opposite side being a mirror image thereof; FIG. 3 is an end elevational view, the opposite end being the same in appearance; FIG. 4 is a top plan view; and FIG. 5 is a bottom plan view thereof.

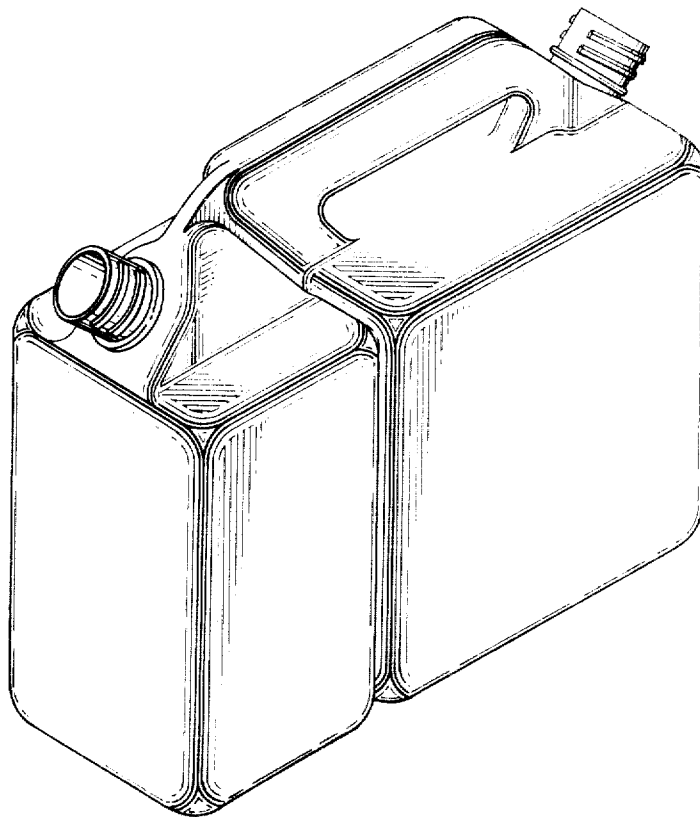


FIG. 1.

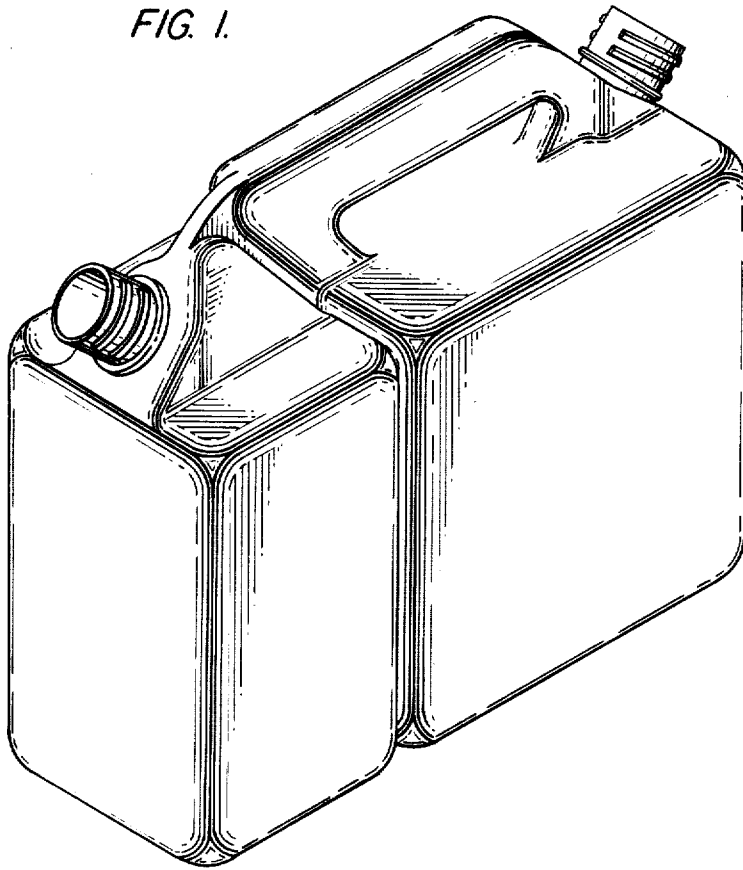


FIG. 2.

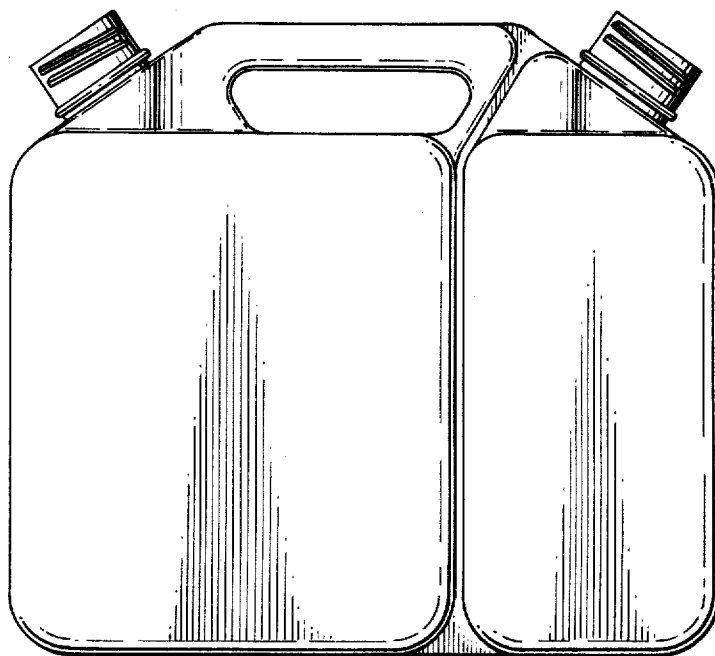


FIG. 3.

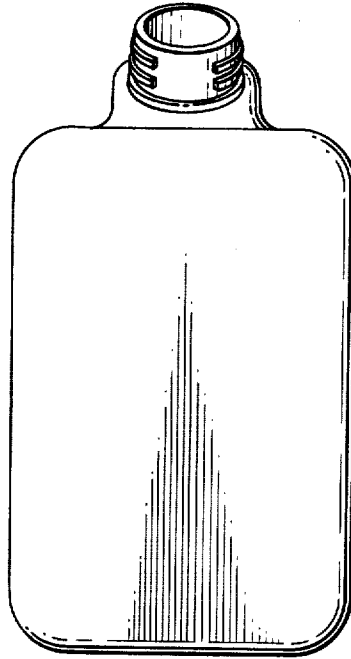


FIG. 4.

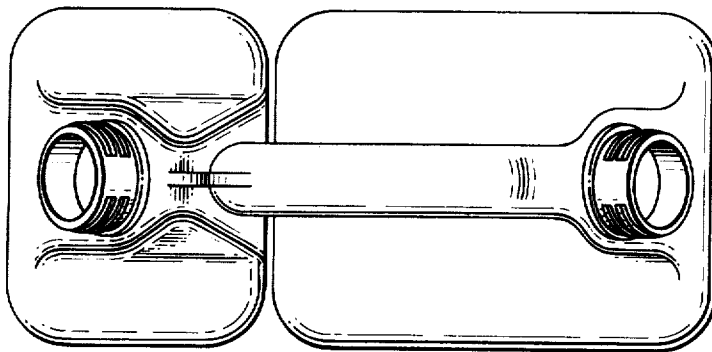


FIG. 5.

