



US00D748502S

(12) **United States Design Patent**  
**Rapko**

(10) **Patent No.:** **US D748,502 S**

(45) **Date of Patent:** **\*\* Feb. 2, 2016**

(54) **WRIST WATCH CASE**

(71) Applicant: **Thomas Rapko**, Santa Barbara, CA  
(US)

(72) Inventor: **Thomas Rapko**, Santa Barbara, CA  
(US)

(\*\*) Term: **14 Years**

(21) Appl. No.: **29/499,037**

(22) Filed: **Aug. 11, 2014**

(51) **LOC (10) CI.** ..... **10-02**

(52) **U.S. CI.**  
USPC ..... **D10/30; D10/38**

(58) **Field of Classification Search**  
USPC ..... D10/30-39, 1-29, 122-132  
CPC .... G04B 19/00; G04B 37/00; G04B 37/0008;  
G04B 37/0058; G04B 39/00; G04G 17/00;  
G04G 17/08

See application file for complete search history.

(56) **References Cited**

**U.S. PATENT DOCUMENTS**

D170,179	S	*	8/1953	Wylar	.....	D10/39
D282,914	S	*	3/1986	Maron	.....	D10/39
D285,908	S	*	9/1986	Maron	.....	D10/30
D302,664	S	*	8/1989	Dawson, Jr.	.....	D10/15
D326,617	S	*	6/1992	Bulgari	.....	D10/39
D373,957	S	*	9/1996	Mareschal	.....	D10/30
D416,814	S	*	11/1999	Welsh	.....	D10/31
6,826,120	B1	*	11/2004	Decker	.....	G08B 25/016

						368/10
D537,741	S	*	3/2007	Gruosi-Scheufele	.....	D10/39
D713,269	S	*	9/2014	Rapko	.....	D10/30
2006/0291334	A1	*	12/2006	Heck	.....	G04G 17/08
						368/47
2009/0003141	A1	*	1/2009	Ozawa	.....	G04G 17/08
						368/294
2010/0039905	A1	*	2/2010	Wu	.....	G04B 39/00
						368/281

\* cited by examiner

*Primary Examiner* — Martie K Holtje

(74) *Attorney, Agent, or Firm* — Gary E. Lambert; David J. Connaughton, Jr.; Lambert & Associates

(57) **CLAIM**

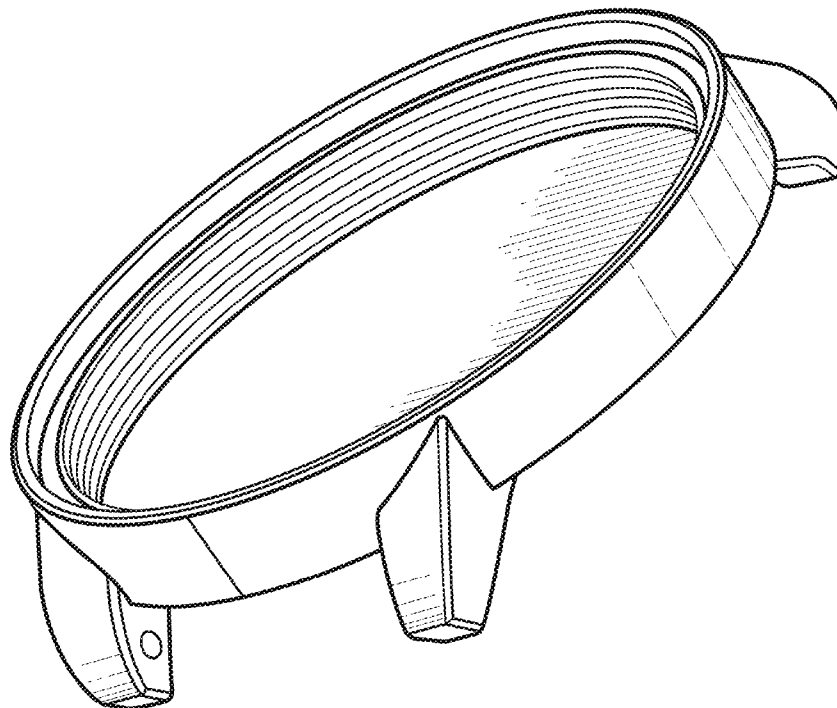
The ornamental design for a wrist watch case, as shown and described.

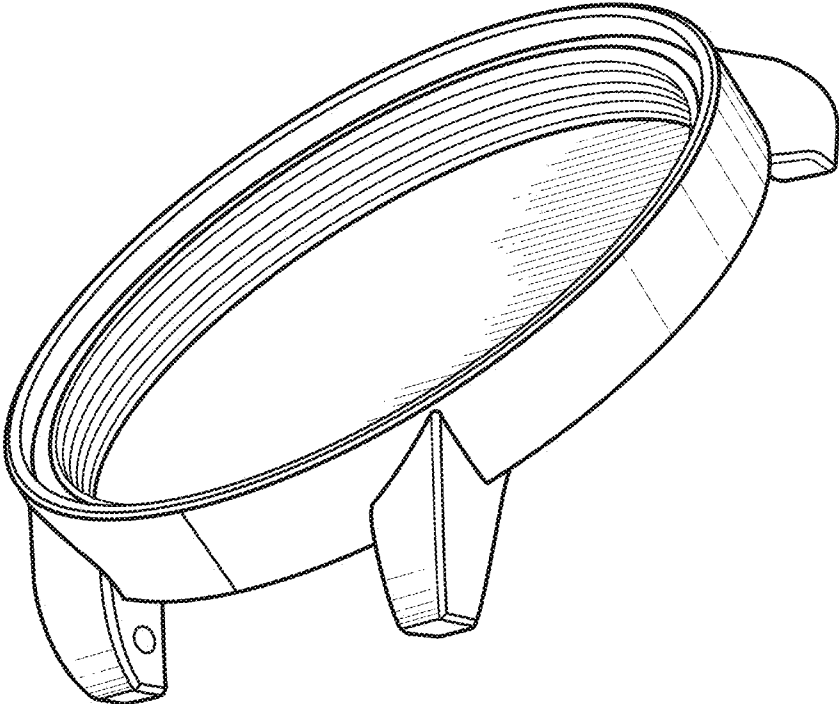
**DESCRIPTION**

FIG. 1 is a bottom right isometric view of the front of the wrist watch case, which embodies my design; FIG. 2 is a front elevation view thereof; FIG. 3 is a rear elevation view thereof; FIG. 4 is an end elevation view thereof; FIG. 5 is a side elevation view thereof; and, FIG. 6 is a second bottom right isometric view thereof, shown in use.

The watch strap depicted by broken lines in FIG. 6 has been shown for the purpose of illustrating an environmental feature that forms no part of the claimed design.

**1 Claim, 4 Drawing Sheets**





*Fig. 1*

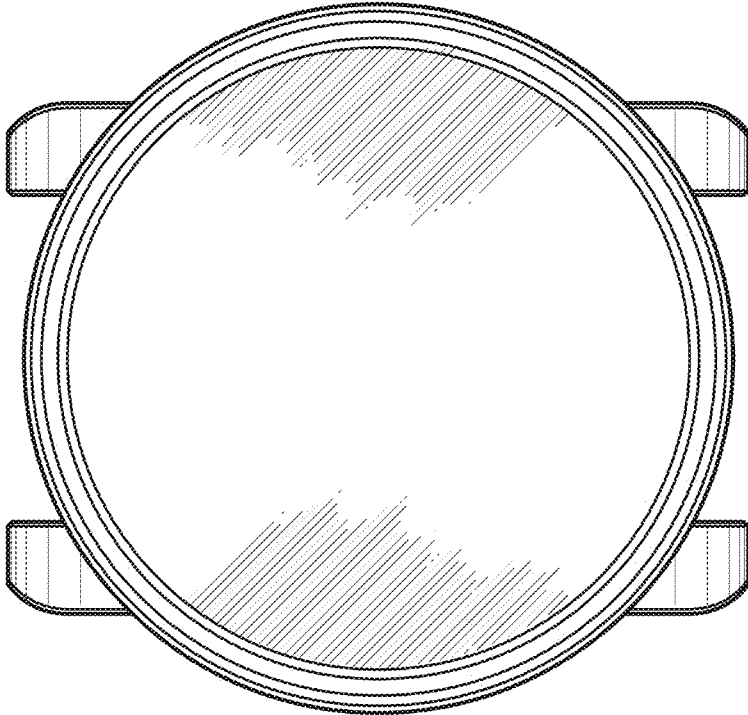


Fig. 3

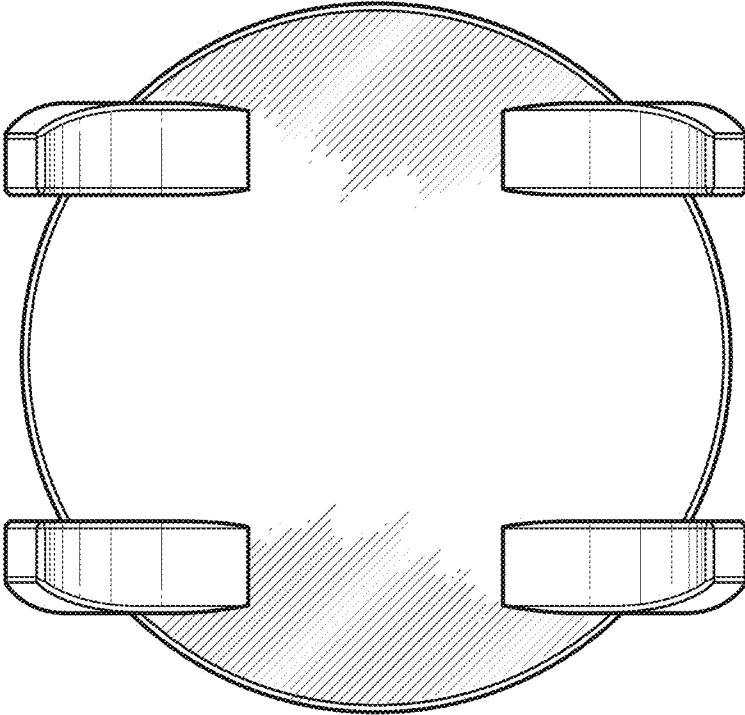
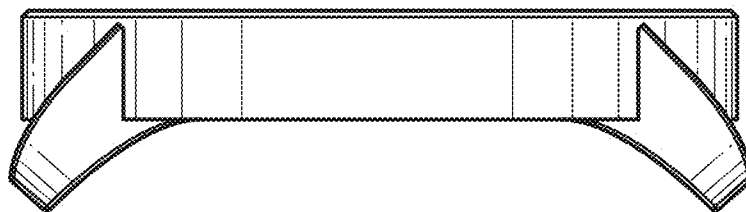


Fig. 2



*Fig. 4*



*Fig. 5*

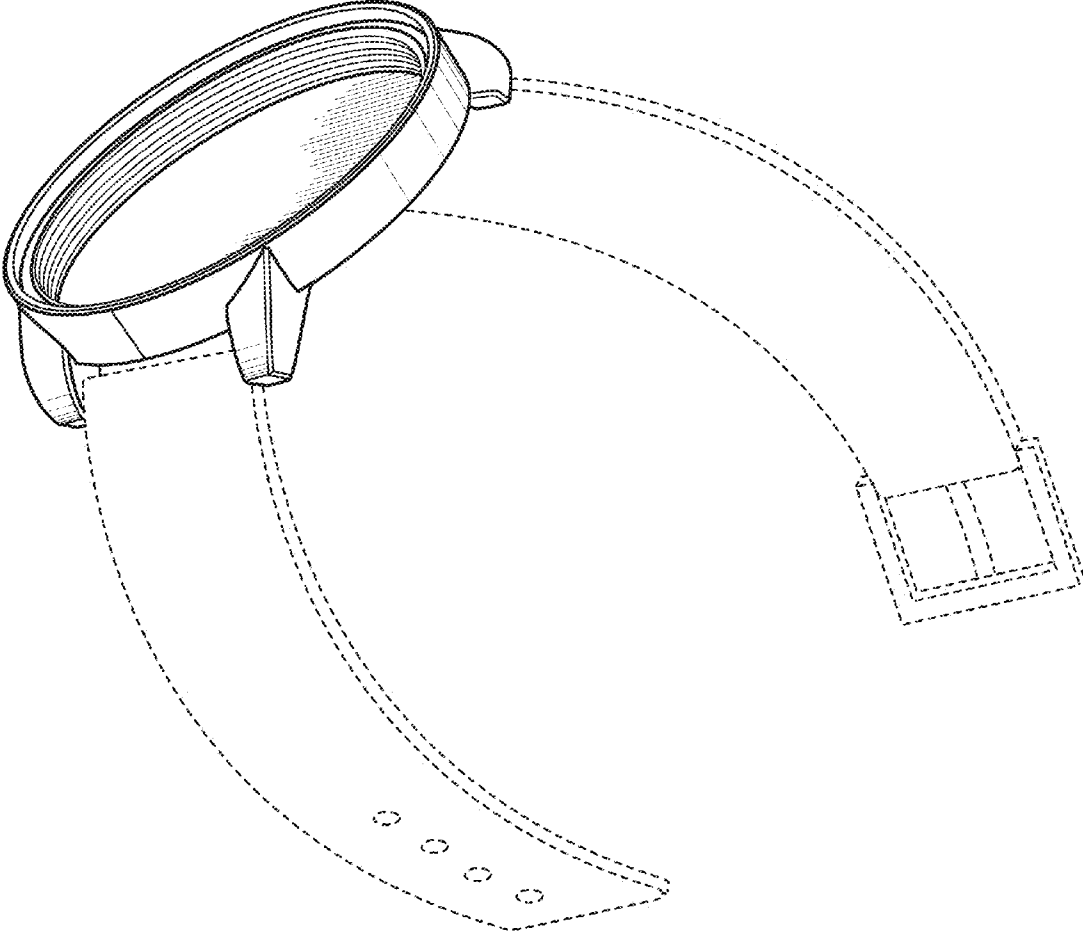


Fig. 6