



US00D701718S

(12) **United States Design Patent**
Vacca

(10) **Patent No.:** **US D701,718 S**

(45) **Date of Patent:** **** Apr. 1, 2014**

- (54) **TOWEL RETENTION DEVICE**
- (71) Applicant: **Christopher Vacca**, Portland, OR (US)
- (72) Inventor: **Christopher Vacca**, Portland, OR (US)
- (**) Term: **14 Years**
- (21) Appl. No.: **29/441,390**
- (22) Filed: **Jan. 4, 2013**
- (51) **LOC (10) Cl.** **06-01**
- (52) **U.S. Cl.**
USPC **D6/716.4**
- (58) **Field of Classification Search**
USPC D6/334-336, 367, 368, 371-373, 374,
D6/375, 376, 379, 380, 513, 601, 611, 716,
D6/716.1, 716.2, 716.3, 716.4;
297/188.06, 218.1, 219.1, 220, 228.1,
297/391, 396, 397; D3/328
See application file for complete search history.

5,655,813	A *	8/1997	Kirkpatrick	297/220
5,829,832	A *	11/1998	Molee et al.	297/397
D404,954	S *	2/1999	Spaeth	D6/601
D411,354	S *	6/1999	Wilson	D3/328
6,575,533	B1 *	6/2003	Kicos	297/397
D677,482	S *	3/2013	Spann	D6/368
2004/0026966	A1 *	2/2004	Albersen	297/220

* cited by examiner

Primary Examiner — Mimosa De

(74) *Attorney, Agent, or Firm* — Mark S. Hubest

(57) **CLAIM**

The ornamental design for the towel retention device, as shown and described.

DESCRIPTION

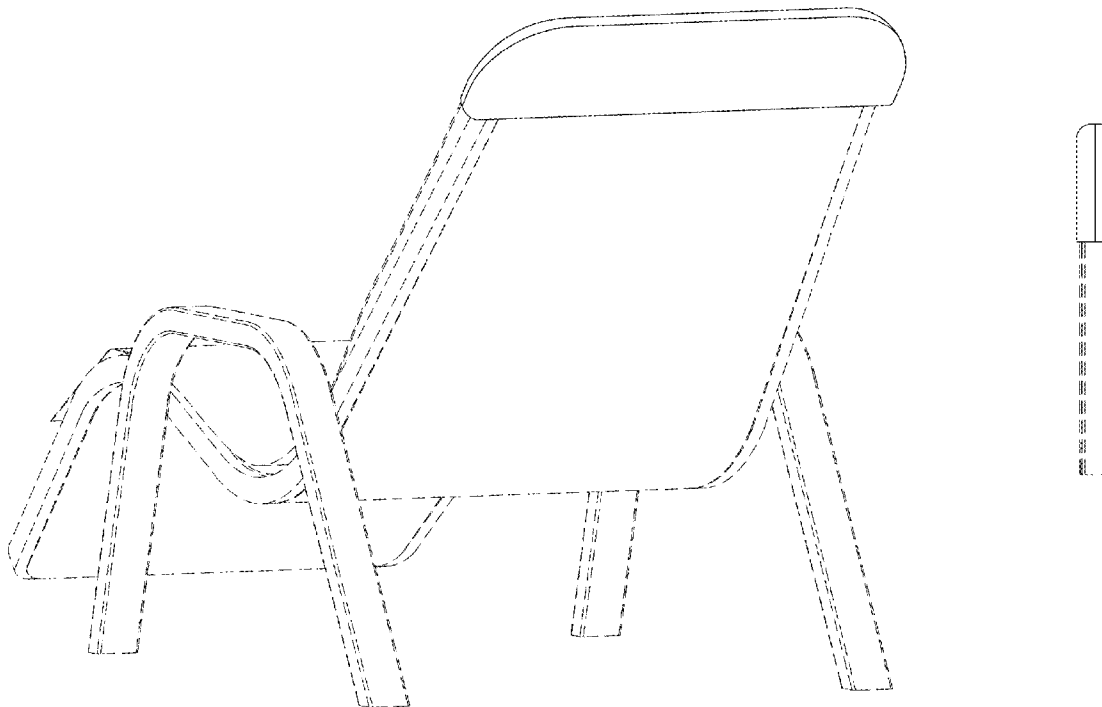
FIG. 1 is a front perspective view of the towel retention; FIG. 2 is a top view of the towel retention device; FIG. 3 is a back view of the towel retention device; FIG. 4 is a left-side view of towel retention device; FIG. 5 is a front view of the towel retention device; FIG. 6 is a right-side view of the towel retention device; and, FIG. 7 is a bottom view of the towel retention device. The broken lines shown in FIGS. 1-7 represent an environmental configuration and form no part of the claimed design.

1 Claim, 4 Drawing Sheets

(56) **References Cited**

U.S. PATENT DOCUMENTS

D175,596	S *	9/1955	Hampshire	D6/335
D213,364	S *	2/1969	Blalock	D6/611
D309,227	S *	7/1990	Popiolkowski	D6/601
D369,498	S *	5/1996	Newcomb	D6/513
D378,476	S *	3/1997	Spaeth	D6/367



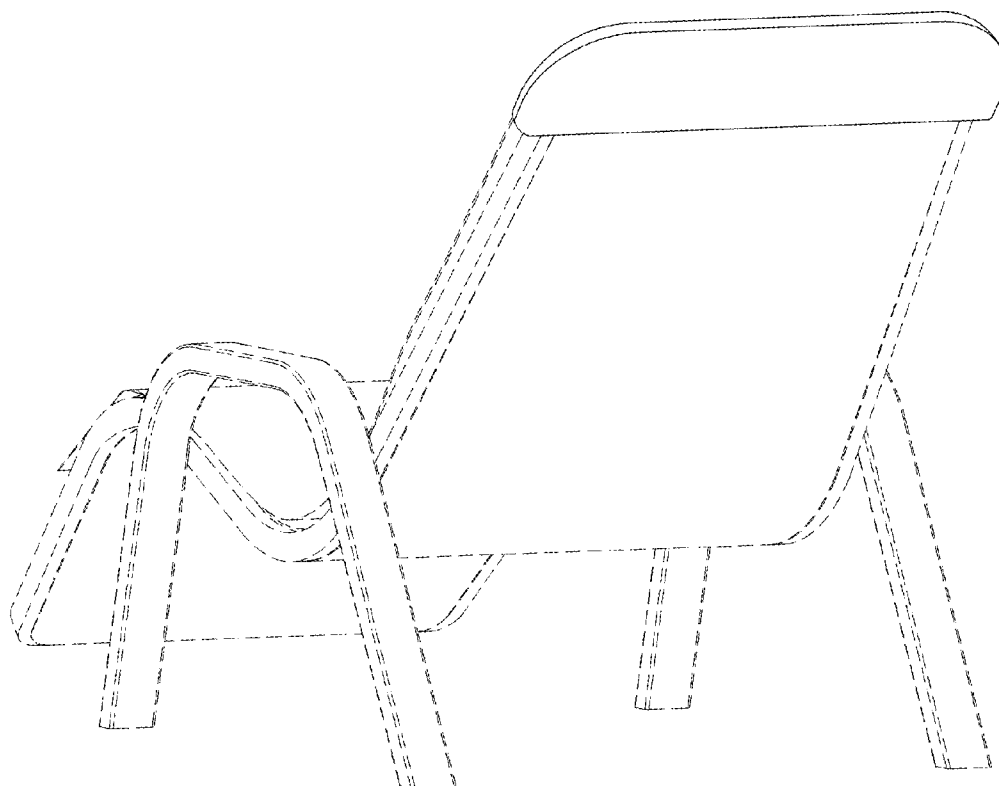


FIG. 1

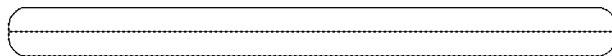


FIG. 2

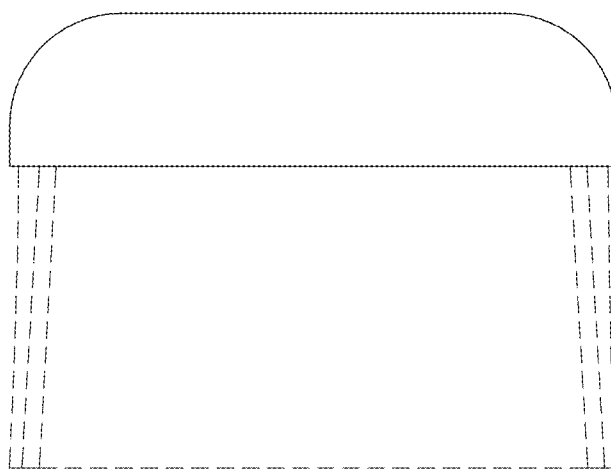


FIG. 3

FIG. 4

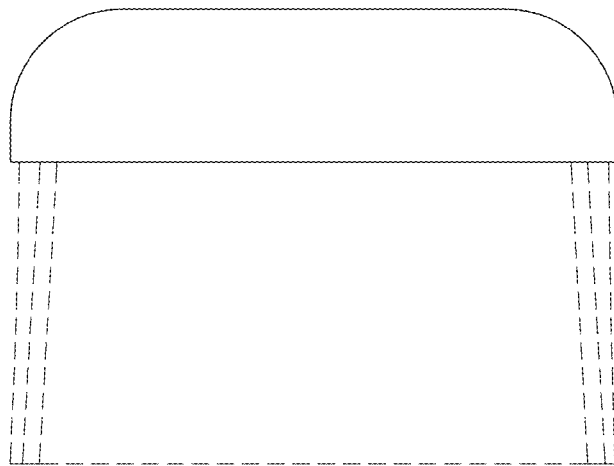


FIG. 5



FIG. 6



FIG. 7