

[54] COMBINED MICROPHONE AND STAND

D. 253,468 11/1979 Peterson D14/12

[75] Inventor: Hiroshi Kubota, Kobe, Japan

OTHER PUBLICATIONS

[73] Assignee: Toa Tokushu Denki Kabushiki Kaisha, Kobe, Japan

Dak Industries Fall '84 Catalog, p. 56, bottom left.
Radio Shack 1986 Catalog No. 393, ©1985, p. 48, left side-Tight-Cardioid Pattern; Realistic Highball-7.

[**] Term: 14 Years

Primary Examiner—Bernard Ansher
Assistant Examiner—Theodore M. Shooman
Attorney, Agent, or Firm—Neuman, Williams, Anderson & Olson

[21] Appl. No.: 783,315

[22] Filed: Sep. 13, 1985

[30] Foreign Application Priority Data

Jul. 3, 1985 [JP] Japan 60-28447

Mar. 13, 1985 [JP] Japan 60-10094

[52] U.S. CL D14/12; D14/13

[58] Field of Search D14/3, 12, 13, 99;
381/91, 122, 155, 159, 168, 169, 170

[57] CLAIM

The ornamental design for a combined microphone and stand, as shown.

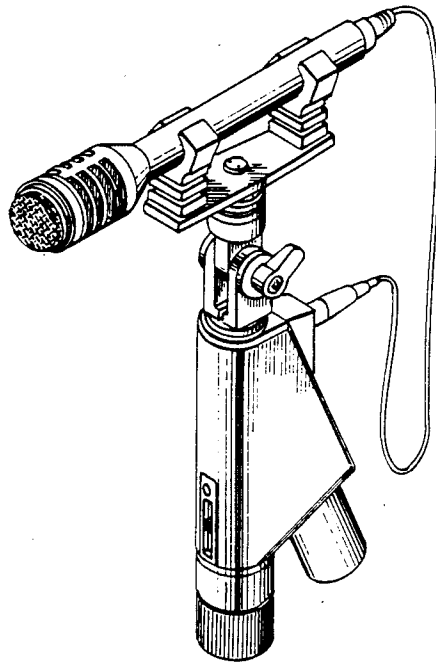
DESCRIPTION

[56] References Cited

U.S. PATENT DOCUMENTS

- D. 189,720 2/1961 Burroughs D14/12
- D. 194,151 11/1962 Deschamps et al. D14/12
- D. 218,315 8/1970 Rusch et al. D14/12
- D. 220,108 3/1971 Van de Poel D14/12
- D. 239,290 3/1976 Saito et al. D14/12
- D. 247,707 4/1978 Armstrong D14/12

FIG. 1 is a front, top and right side perspective view of a combined microphone and stand showing my new design;
 FIG. 2 is a top plan view thereof;
 FIG. 3 is a right side elevational view thereof;
 FIG. 4 is a front elevational view thereof;
 FIG. 5 is a rear elevational view thereof;
 FIG. 6 is a left side elevational view thereof; and
 FIG. 7 is a bottom plan view thereof.



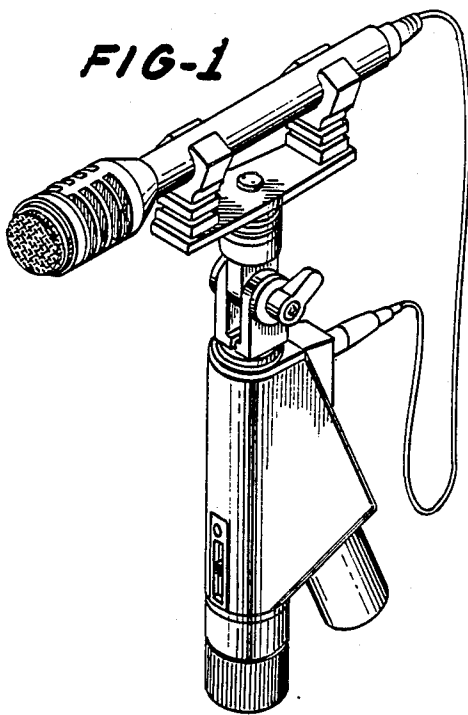


FIG-1

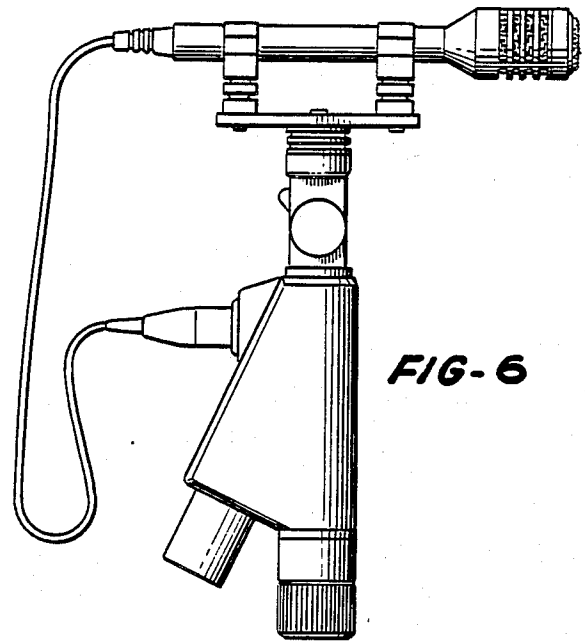


FIG-6

FIG-2

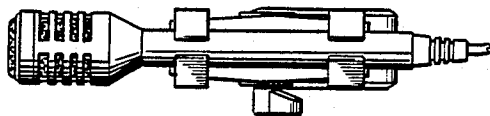


FIG-4

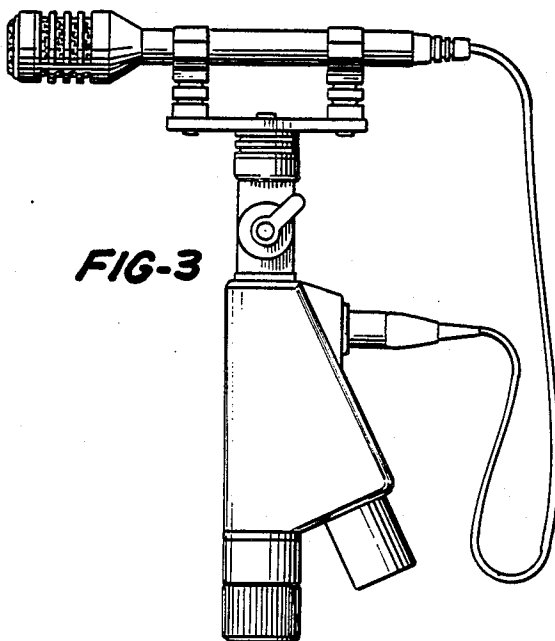
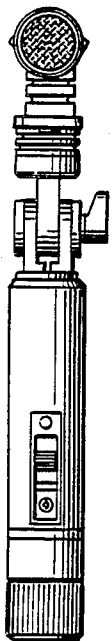


FIG-3



FIG-5

FIG-7

