



US00D717469S

(12) **United States Design Patent**
Nemeth

(10) **Patent No.:** **US D717,469 S**

(45) **Date of Patent:** **** Nov. 11, 2014**

(54) **THREADED BEAKER TOP**

(71) Applicant: **Lee L. Nemeth**, Prospect, CT (US)

(72) Inventor: **Lee L. Nemeth**, Prospect, CT (US)

(**) Term: **14 Years**

(21) Appl. No.: **29/477,380**

(22) Filed: **Dec. 20, 2013**

Related U.S. Application Data

(63) Continuation-in-part of application No. 29/447,785, filed on Mar. 6, 2013, now Pat. No. Des. 696,790.

(51) **LOC (10) Cl.** **24-01**

(52) **U.S. Cl.**

USPC **D24/224**; D9/503

(58) **Field of Classification Search**

USPC D24/216, 223, 224, 225, 226, 121;
D9/503, 504, 529, 548, 549; D7/510,
D7/511, 523; 435/288.7, 308.1, 288.1;
422/547, 549, 500, 556, 557

See application file for complete search history.

(56) **References Cited**

U.S. PATENT DOCUMENTS

D171,578 S *	3/1954	Brucker	D9/778
D217,438 S *	5/1970	Balbach et al.	D9/504
D305,197 S	12/1989	Valdes		
5,335,809 A	8/1994	Toida et al.		
5,672,321 A *	9/1997	Daykin	422/557
D479,951 S	9/2003	Segura		
D493,722 S	8/2004	Cooper		
D506,261 S	6/2005	Hellstrom		
D595,424 S	6/2009	Stvratak et al.		
D602,164 S	10/2009	Speth et al.		
D607,117 S	12/2009	Horton et al.		
D612,240 S	3/2010	Cresswell et al.		
D673,198 S	12/2012	Schneider		
D673,598 S	1/2013	Schneider		

* cited by examiner

Primary Examiner — Anhdao Doan

(74) *Attorney, Agent, or Firm* — Ware Fressola Maguire & Barber LLP

(57) **CLAIM**

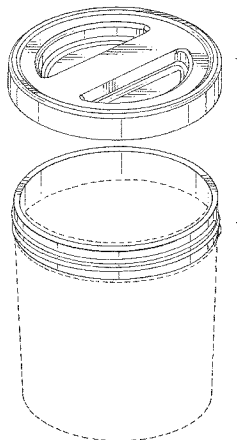
I claim the ornamental design for a threaded beaker top, as shown and described.

DESCRIPTION

FIG. 1 is a left side elevational view of the threaded beaker top showing the invention separated from an exemplary beaker, the right side view would be a mirror image thereof; FIG. 2 is a front elevational view of the threaded beaker top of the invention separated from the exemplary beaker, the rear view would be a mirror image thereof; FIG. 3 is a top perspective view of the threaded beaker top of the invention separated from the exemplary beaker; FIG. 4 is a left side elevational view of the threaded beaker top of the invention assembled on the exemplary beaker, the right side view would be a mirror image thereof; FIG. 5 is a top perspective view of the threaded beaker top of the invention assembled on the exemplary beaker; FIG. 6 is a bottom perspective view of the threaded beaker top of the invention assembled on the exemplary beaker; FIG. 7 is a bottom plan view of the threaded beaker top of the invention assembled on the exemplary beaker; FIG. 8 is a top plan view of the threaded beaker top of the invention; FIG. 9 is a bottom plan view of the threaded beaker top of the invention; FIG. 10 is a left side elevation view of the threaded beaker top of the invention, the right side view would be a mirror image thereof; FIG. 11 is a top perspective view of the threaded beaker top of the invention; and, FIG. 12 is a bottom perspective view of the threaded beaker top of the invention.

The broken lines defining the exemplary beaker are shown for illustrative purposes only and form no part of the claimed design.

1 Claim, 9 Drawing Sheets



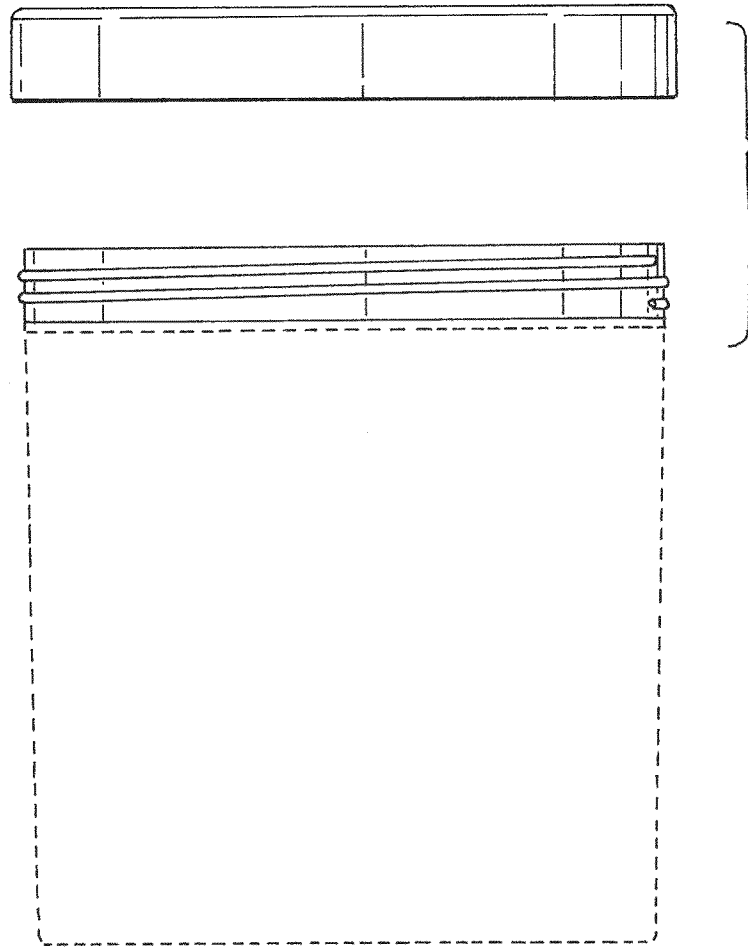


FIG. 1

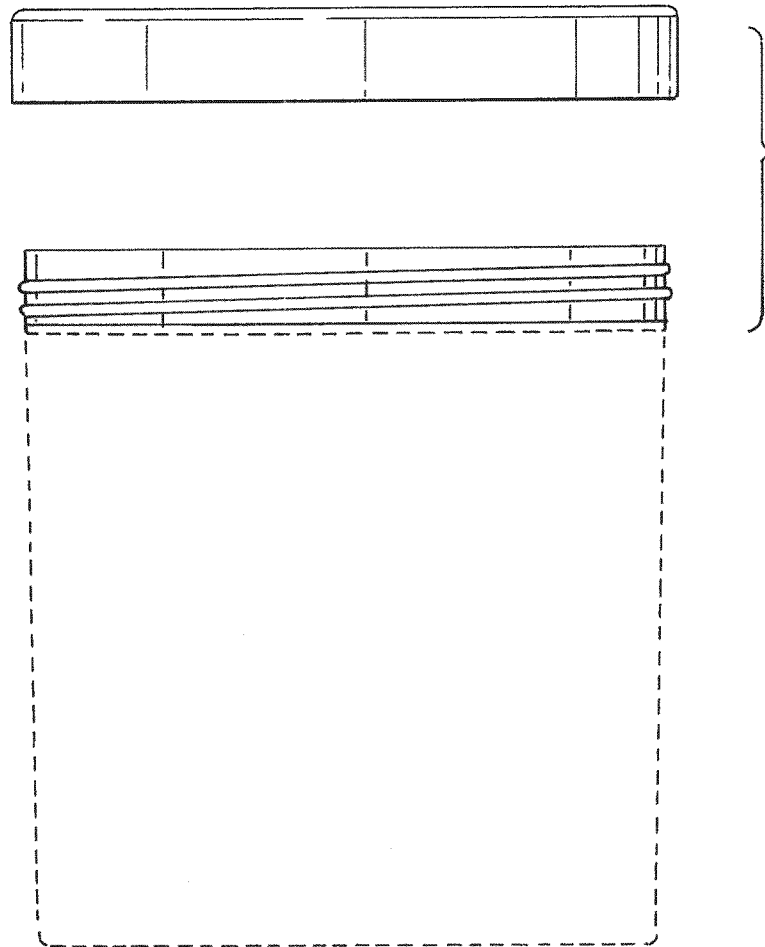


FIG. 2

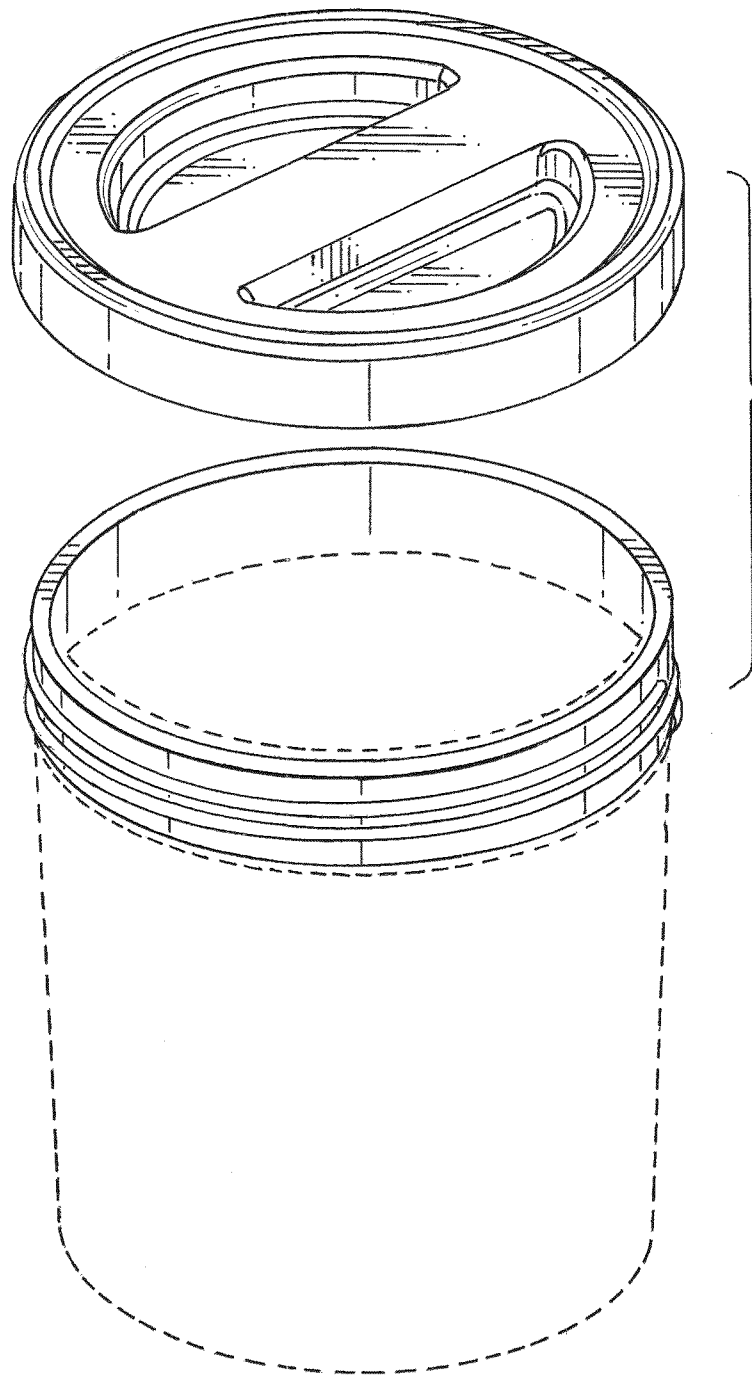


FIG. 3

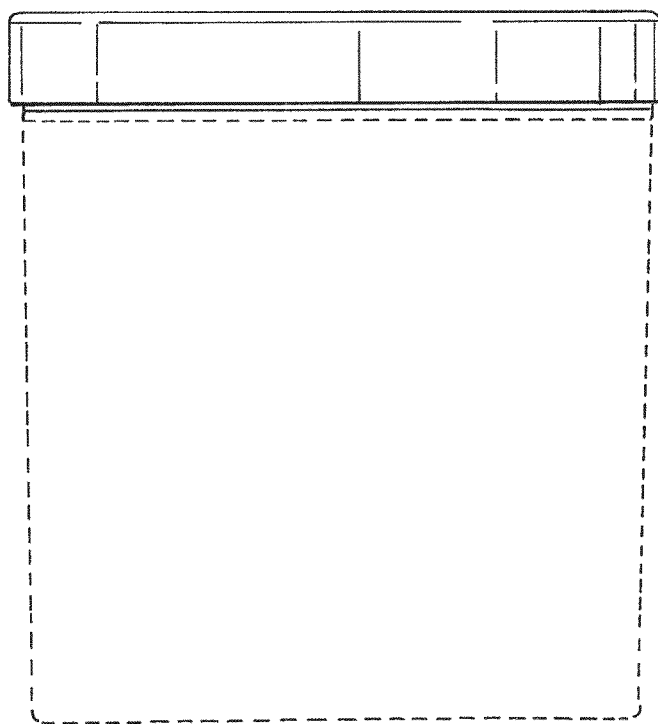


FIG. 4

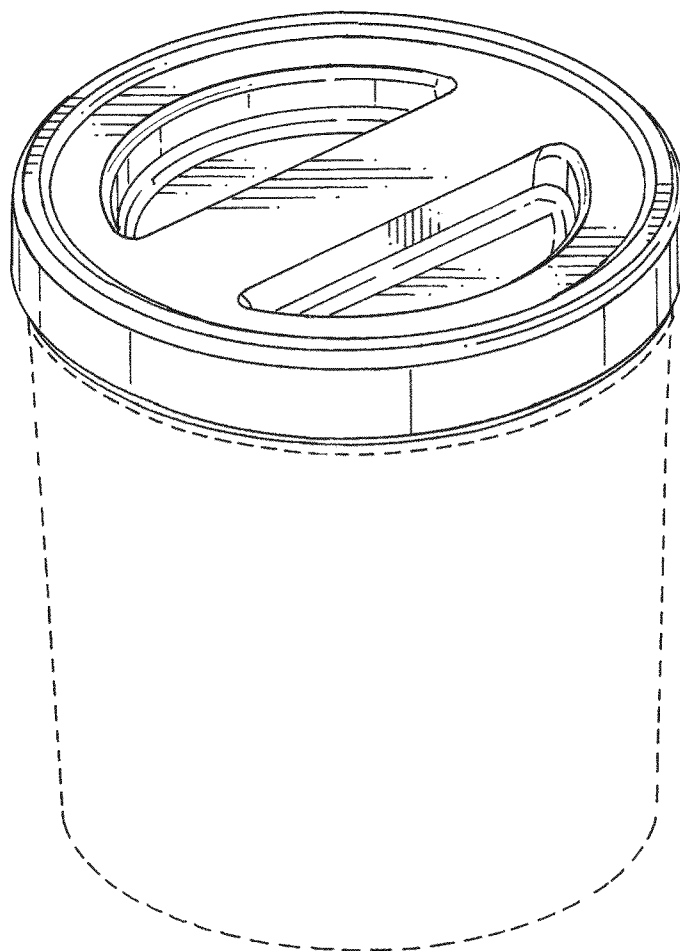


FIG. 5

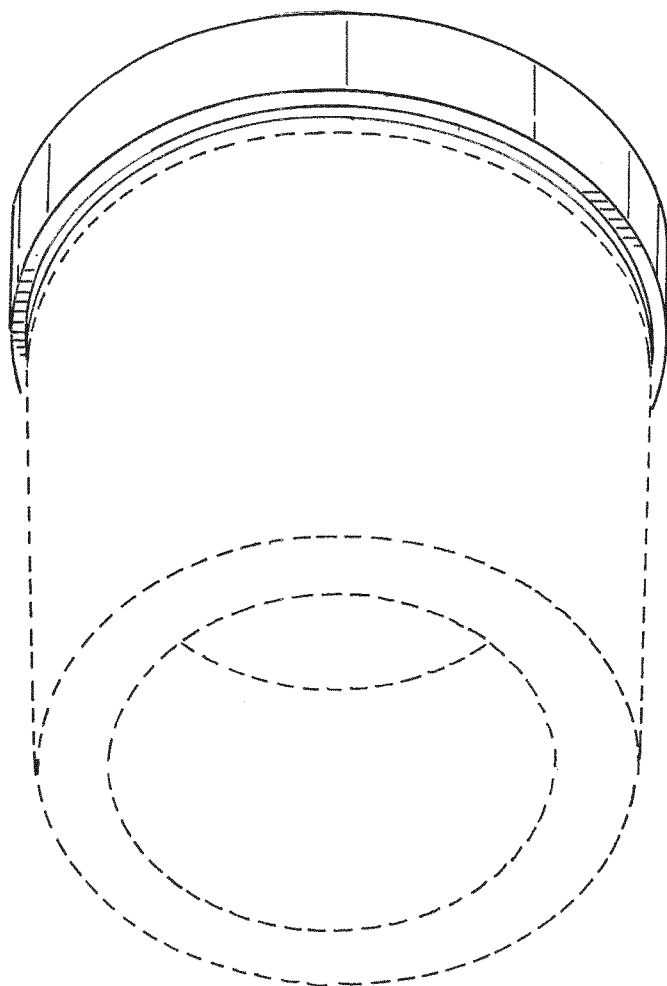


FIG. 6

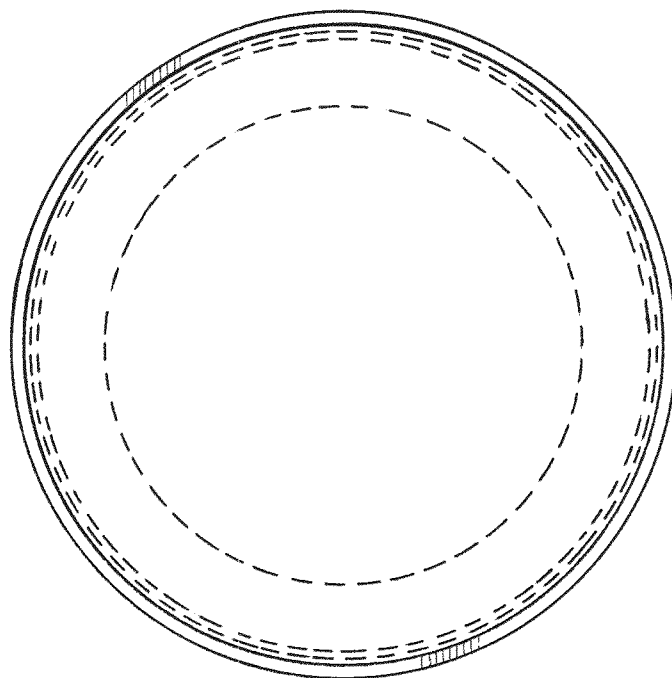


FIG. 7

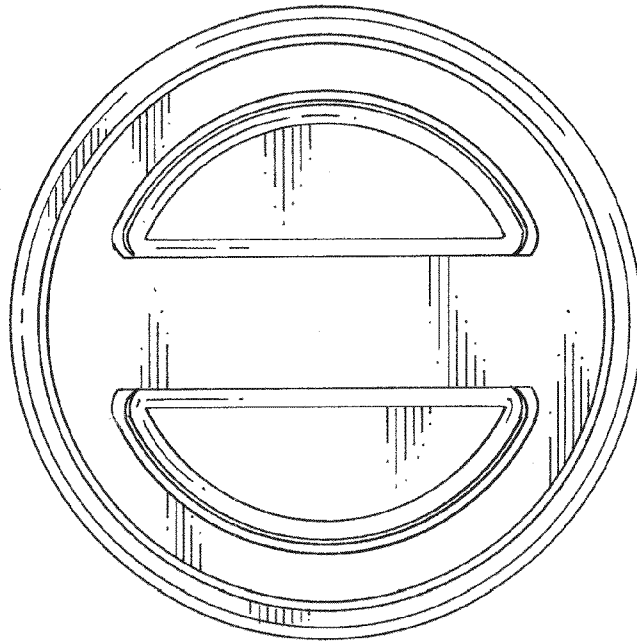


FIG. 8

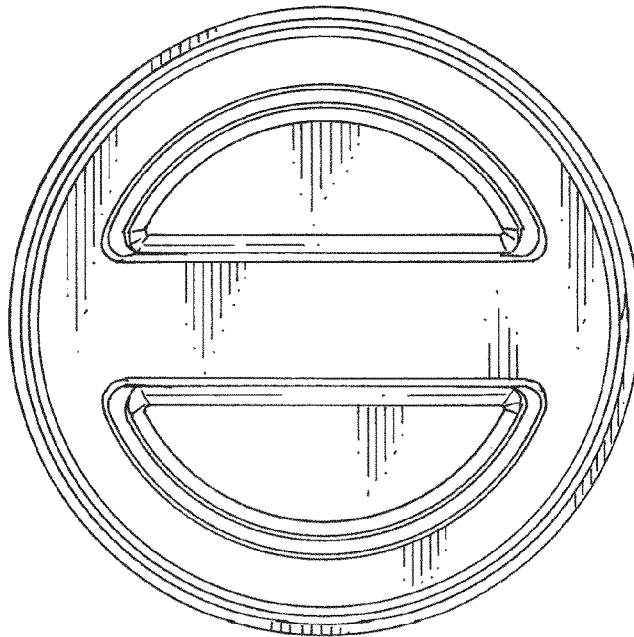


FIG. 9

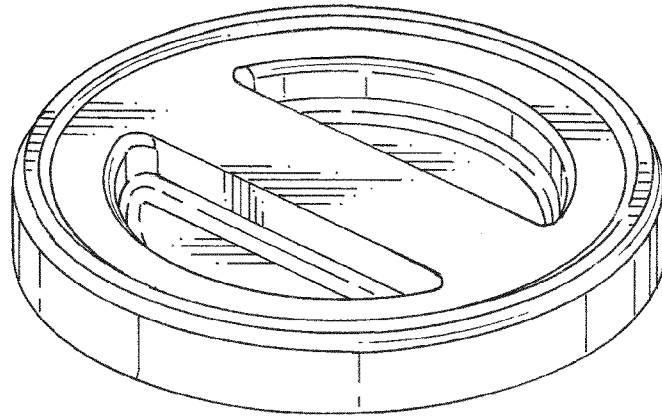


FIG. 11

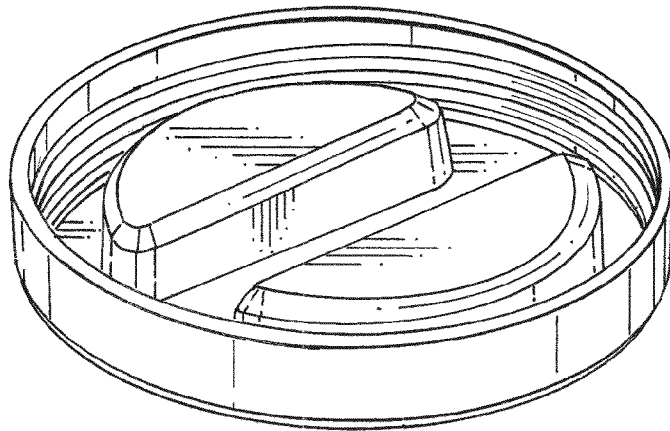


FIG. 12



FIG. 10