



US00D342265S

# United States Patent [19]

[11] Patent Number: Des. 342,265

Rock

[45] Date of Patent: \*\* Dec. 14, 1993

[54] CAN CRUSHER

[76] Inventor: **Kevin S. Rock**, 32-373 Chiricahua Dr., Thousand Palms, Calif. 92276

[\*\*] Term: **14 Years**

[21] Appl. No.: **831,333**

[22] Filed: **Feb. 7, 1992**

[52] U.S. Cl. .... **D15/123**

[58] Field of Search ..... **D15/123; 100/137, 179, 100/185, 193, 237, 259, 260, 264, 280, 289, 982, 35, 41**

4,890,552 1/1990 Yelczyn ..... 100/902  
 4,988,019 1/1991 Dawes ..... 100/54 X  
 5,033,375 7/1991 Reeves ..... 100/902 X

*Primary Examiner*—Alan P. Douglas  
*Assistant Examiner*—Antoine O. Davis  
*Attorney, Agent, or Firm*—Terry M. Gernstein

### [57] CLAIM

The ornamental design for a can crusher as shown and described.

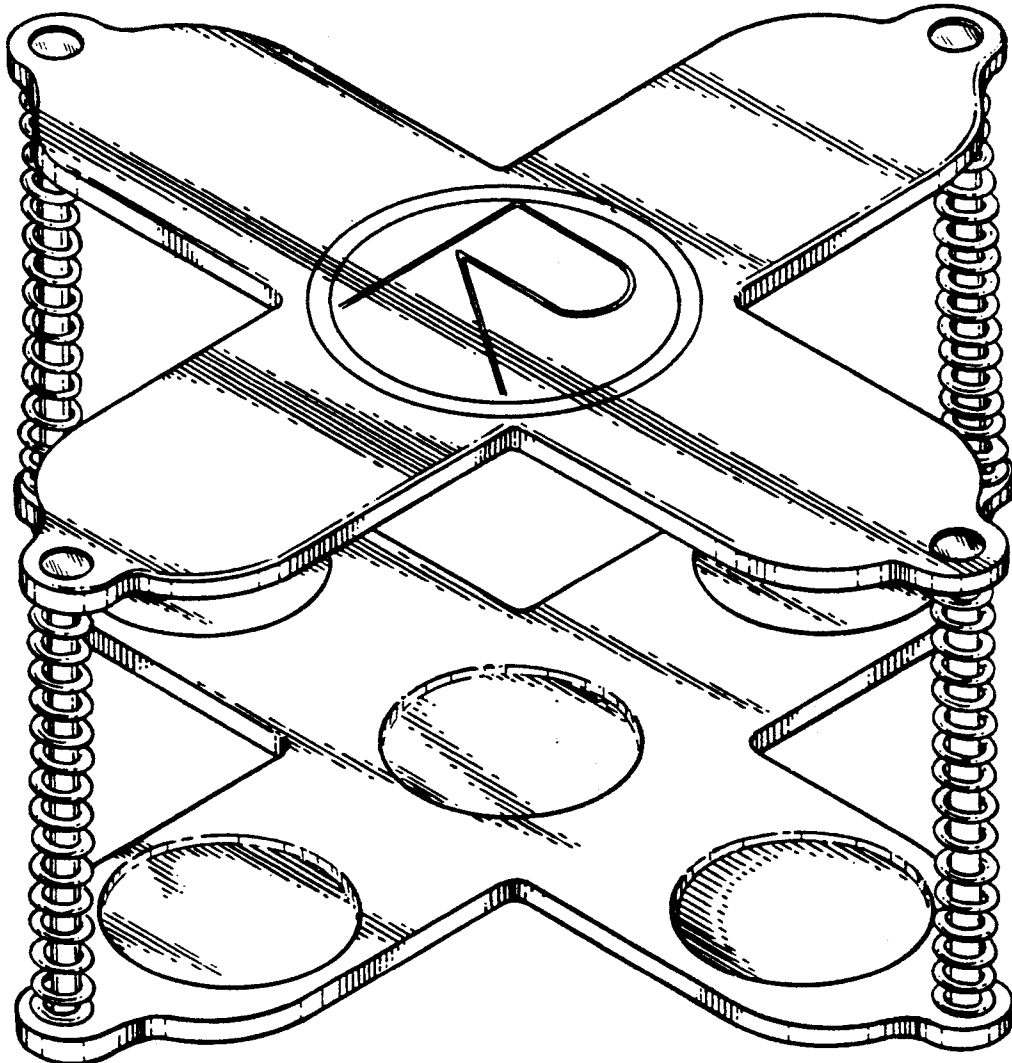
### DESCRIPTION

FIG. 1 is a perspective view of the can crusher embodying the design of the present invention;  
 FIG. 2 is a front elevational view thereof, the rear and sides each being a mirror image of the front shown in FIG. 2; and,  
 FIG. 3 is a top plan view thereof, the bottom view being a mirror image of the top view shown in FIG. 3;

### [56] References Cited

#### U.S. PATENT DOCUMENTS

3,988,978 11/1976 Flick ..... 100/902 X  
 4,257,321 3/1981 Wheeler et al. .... 100/268 X  
 4,667,593 5/1987 Kennedy .  
 4,682,539 7/1987 Bramblett .



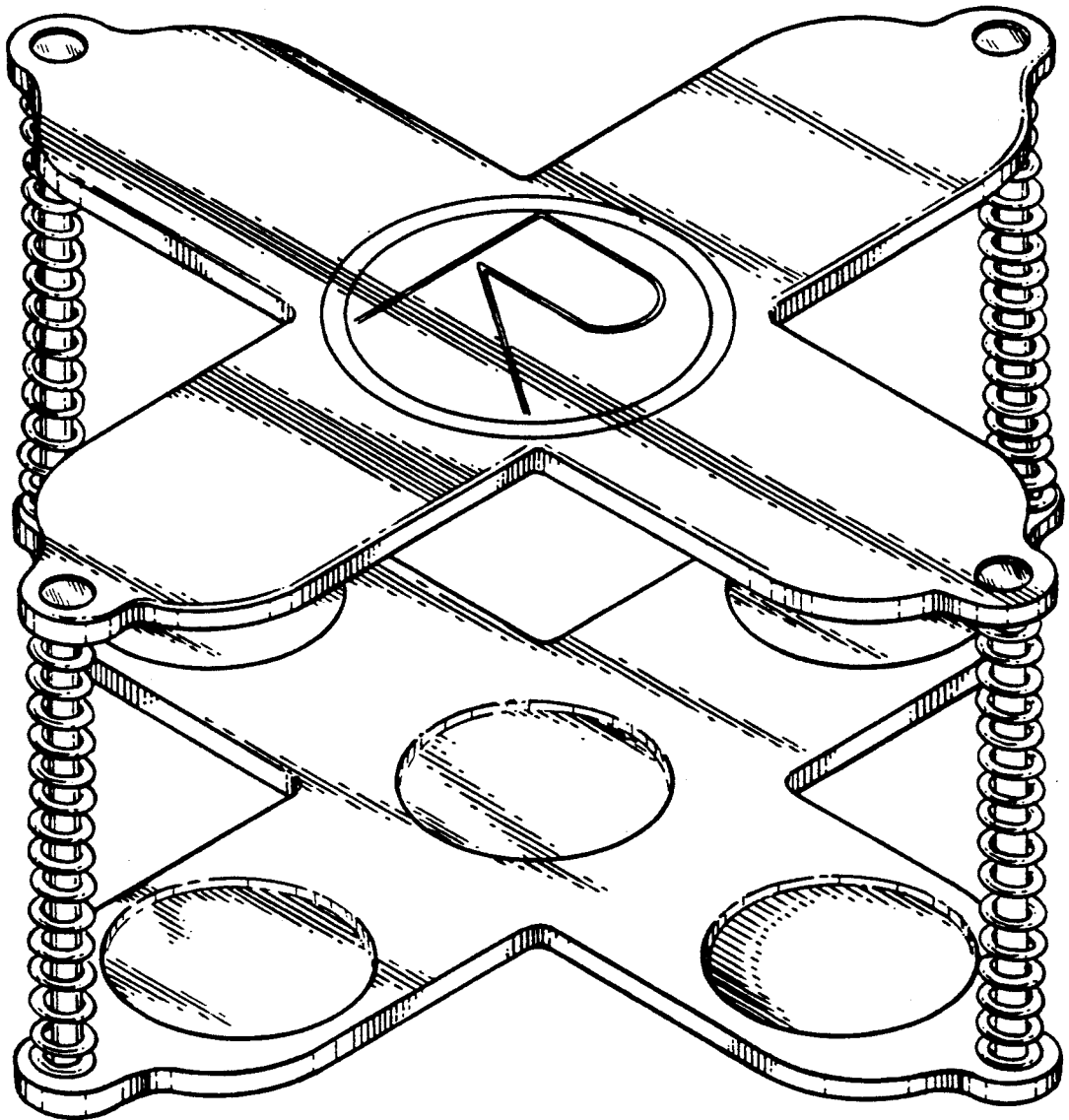


FIG. 1

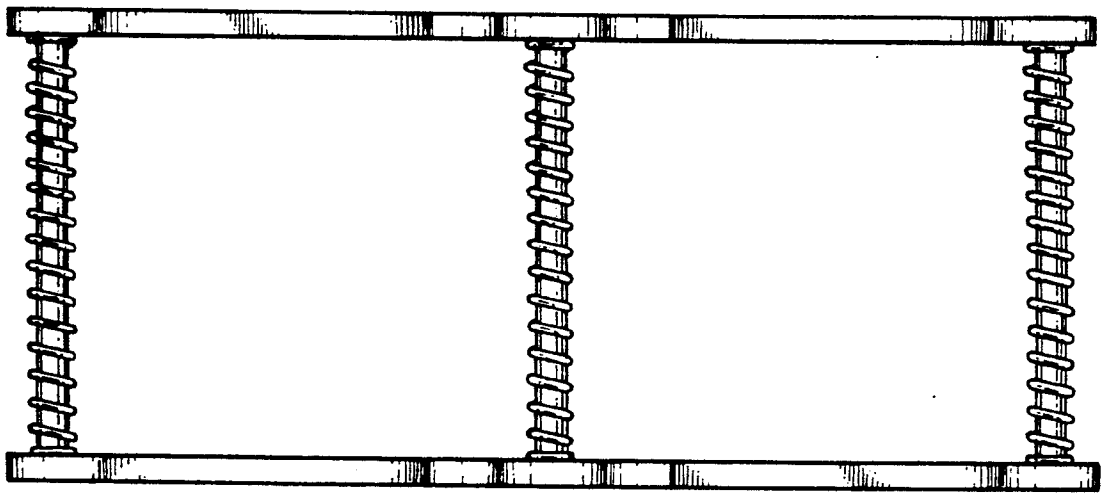


FIG. 2

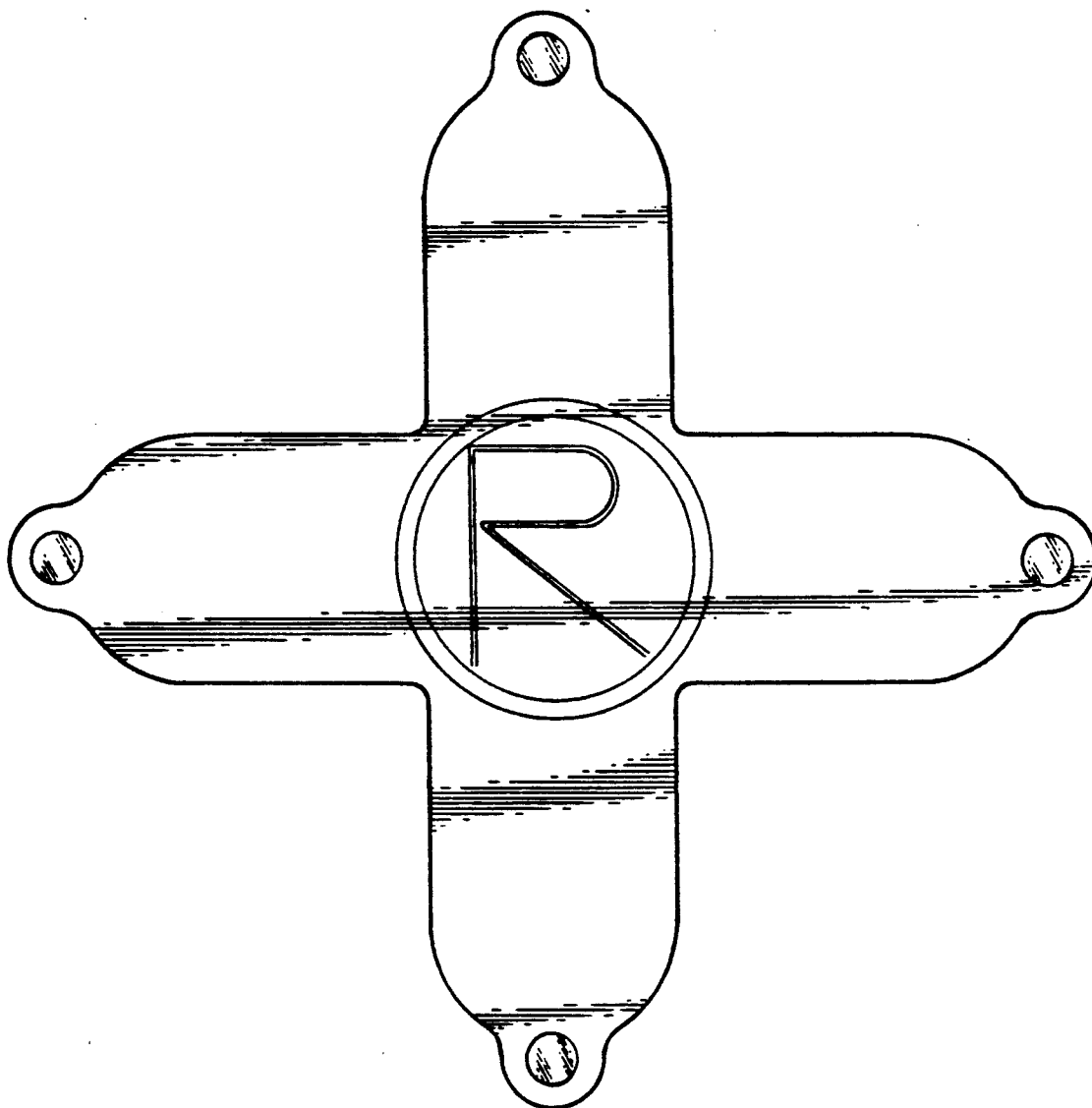


FIG. 3