



US00D815700S

(12) **United States Design Patent**
Brodwick

(10) **Patent No.:** **US D815,700 S**

(45) **Date of Patent:** **** Apr. 17, 2018**

(54) **COMBINED YOGA BLOCK AND ROLLER**

(71) Applicant: **thinkOPERATIONS, LLC**, Austin, TX (US)

(72) Inventor: **Kevin Brodwick**, Austin, TX (US)

(73) Assignee: **thinkOperations, LLC**, Austin, TX (US)

(**) Term: **15 Years**

(21) Appl. No.: **29/577,655**

(22) Filed: **Sep. 14, 2016**

(51) **LOC (11) Cl.** **21-02**

(52) **U.S. Cl.**

USPC **D21/686**

(58) **Field of Classification Search**

USPC D21/688, 686, 671, 690, 662, 797, 484,
D21/685, 501, 500, 499, 680; 482/148,
(Continued)

(56) **References Cited**

U.S. PATENT DOCUMENTS

D104,649 S * 5/1937 Black D9/573
D270,800 S * 10/1983 Fuller D21/479
(Continued)

OTHER PUBLICATIONS

Golds Gym by Walmart dated Jan. 5, 2013. Found online [Jul. 31, 2017] <https://goo.gl/2Cjf2u>.*

Primary Examiner — Robert M. Spear

Assistant Examiner — Ryan Harvey

(74) *Attorney, Agent, or Firm* — Scheinberg & Associates, P.C.; Michael O. Scheinberg

(57) **CLAIM**

I claim the ornamental design for a combined yoga block and roller, as shown and described.

DESCRIPTION

FIG. 1 is a left side perspective view of a combined yoga block and roller according to my new design, with the roller shown fully inserted into the yoga block;

FIG. 2 is right side perspective view thereof, with the roller fully inserted;

FIG. 3 is a left side elevation thereof, with the roller fully inserted;

FIG. 4 is a right side elevation thereof, with the roller fully inserted;

FIG. 5 is a front elevation thereof, with the roller fully inserted;

FIG. 6 is a rear elevation thereof, with the roller fully inserted;

FIG. 7 is a plan view thereof, with the roller fully inserted;

FIG. 8 is a bottom view thereof, with the roller fully inserted;

FIG. 9 is a left side perspective view of the combined yoga block and roller according to my new design, with the roller partially inserted from the front;

FIG. 10 is a right side perspective view thereof, with the roller partially inserted from the front;

FIG. 11 is a right side elevation thereof, with the roller partially inserted from the front;

FIG. 12 is a left side elevation thereof, with the roller partially inserted from the front;

FIG. 13 is a front elevation thereof, with the roller partially inserted from the front;

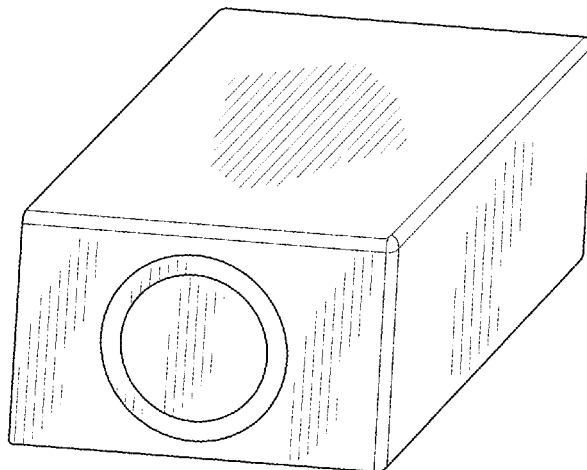
FIG. 14 is a rear elevation thereof, with the roller partially inserted from the front;

FIG. 15 is a top view thereof, with the roller partially inserted from the front; and,

FIG. 16 is a bottom view thereof, with the roller partially inserted from the front.

The dashed lines showing the texture on the roller form no part of the claimed design.

1 Claim, 11 Drawing Sheets



US D815,700 S

(58) **Field of Classification Search**

USPC ... 482/23, 142, 140, 121, 99, 123, 133, 122,
 482/144, 143, 145, 907; D30/160, 118;
 D6/349, 601, 374, 582, 583, 596, 691.4,
 D6/716.5, 375, 334, 361, 366, 584, 587,
 D6/604, 595, 367, 336; 5/420, 636, 922,
 5/655, 655.4, 702, 911, 417, 630, 632;
 D24/190, 191, 192, 183, 186; D14/549,
 D14/458; D12/410; D25/113; 297/397,
 297/284.3, 391, 230.1, 284.5; 14/69.5;
 D9/432, 573
 CPC . A47C 7/425; A63B 21/4035; A63B 21/0004;
 A63B 26/003; A63B 2023/006; A47G
 9/10; A63H 33/04; B60N 2/66
 See application file for complete search history.

(56) **References Cited**

U.S. PATENT DOCUMENTS

D272,167 S * 1/1984 Chatani D21/499
 D272,256 S * 1/1984 Chatani D21/499
 D315,183 S * 3/1991 Meyer D21/501
 D346,627 S * 5/1994 Bach D21/501
 D369,391 S * 4/1996 Jump, Jr. D21/685
 D413,942 S * 9/1999 Rudy D21/499
 D414,530 S * 9/1999 Rudy D21/500

D422,036 S * 3/2000 Laserna Fernandez D21/499
 D423,607 S * 4/2000 Rudy D21/500
 D476,717 S * 7/2003 Pitts D23/207
 D509,270 S 9/2005 Stangler
 7,318,794 B2 1/2008 Davies
 D594,512 S * 6/2009 Richards D21/484
 7,824,319 B2 11/2010 Carlesimo et al.
 8,033,968 B2 10/2011 Chen et al.
 8,052,587 B1 11/2011 Wu
 D675,513 S * 2/2013 Sawa D8/397
 D682,681 S * 5/2013 Oxer D9/424
 9,005,146 B2 4/2015 Phillips
 D733,230 S * 6/2015 Mallory D21/686
 D740,378 S * 10/2015 Walsh-Gomez D21/662
 D749,233 S * 2/2016 Phillips A61H 15/0092
 D24/211
 D755,304 S * 5/2016 Ackerman D21/662
 2004/0192523 A1 9/2004 Wu
 2007/0167301 A1 7/2007 Evans
 2007/0219076 A1 9/2007 Axelrod
 2009/0023563 A1 1/2009 Liang
 2010/0240509 A1* 9/2010 Chen A63B 21/00047
 482/148
 2012/0329623 A1 12/2012 Ramirez
 2013/0190151 A1 7/2013 Scholder
 2013/0274078 A1 10/2013 Andrews
 2013/0324382 A1 12/2013 Wilson
 2015/0258363 A1 9/2015 Kampinski

* cited by examiner

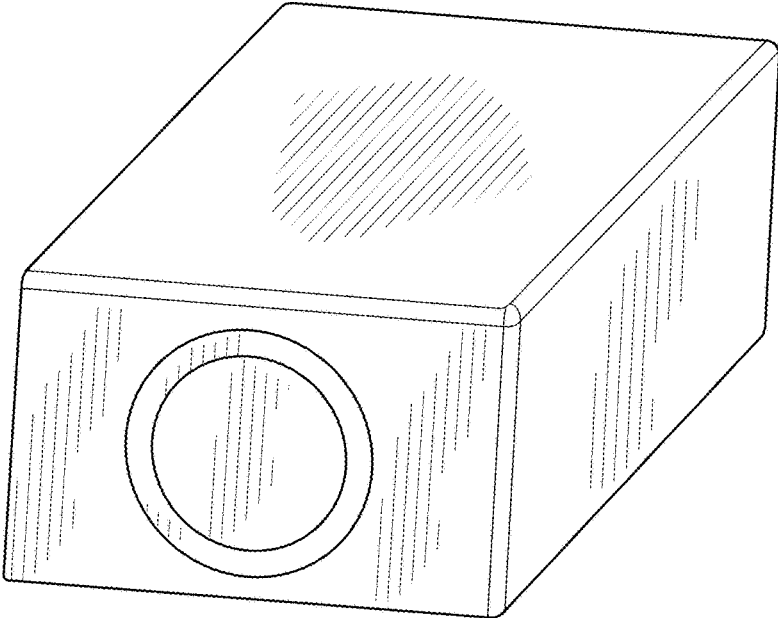


FIG. 1

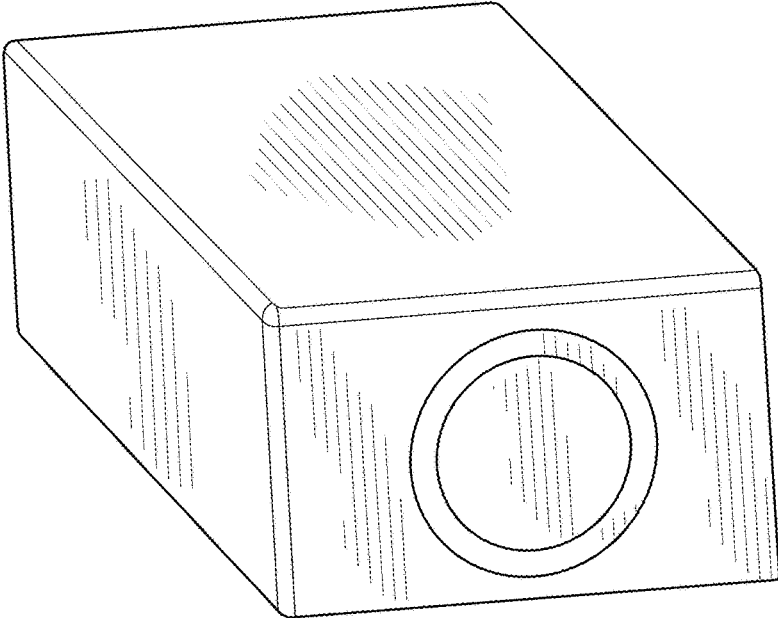


FIG. 2

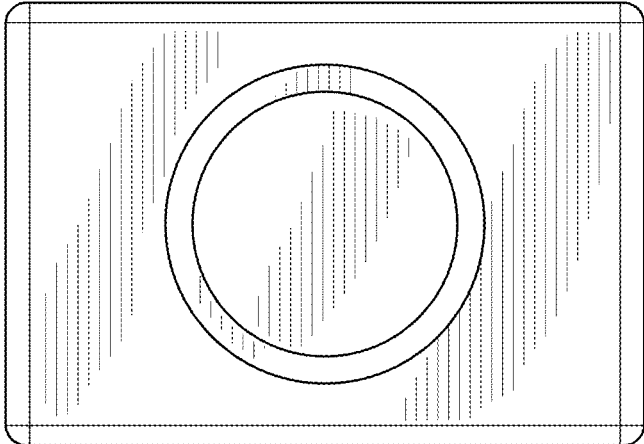


FIG. 3

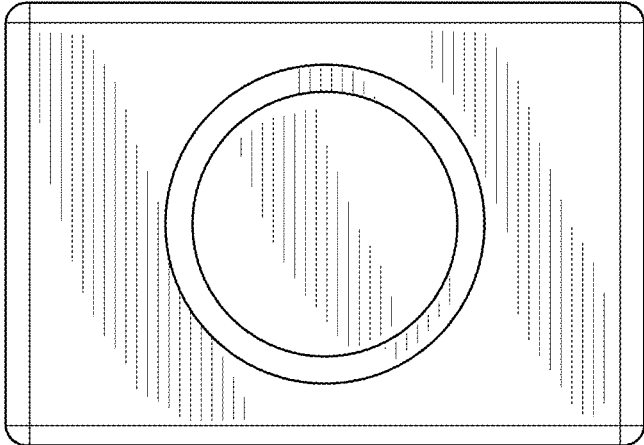


FIG. 4

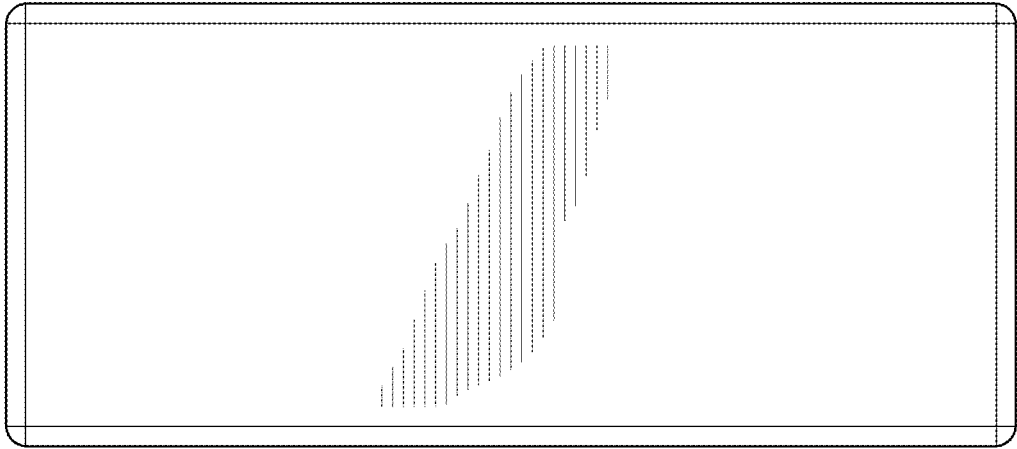


FIG. 5

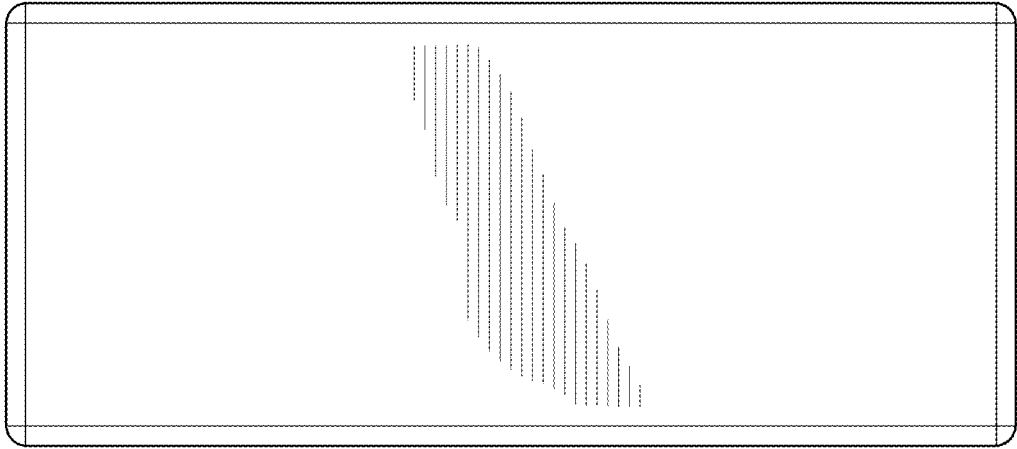


FIG. 6

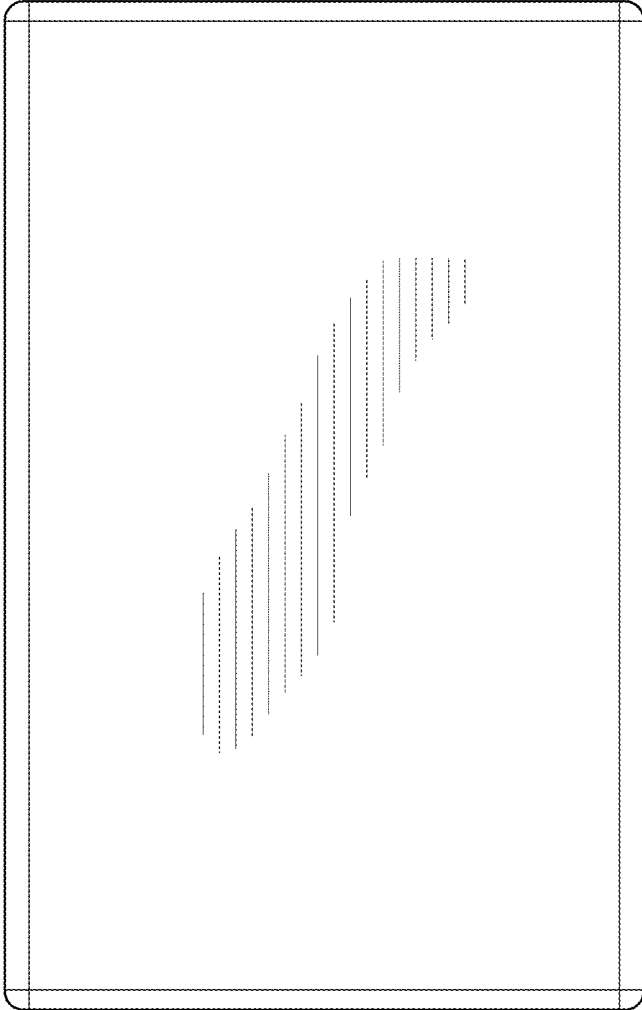


FIG. 7

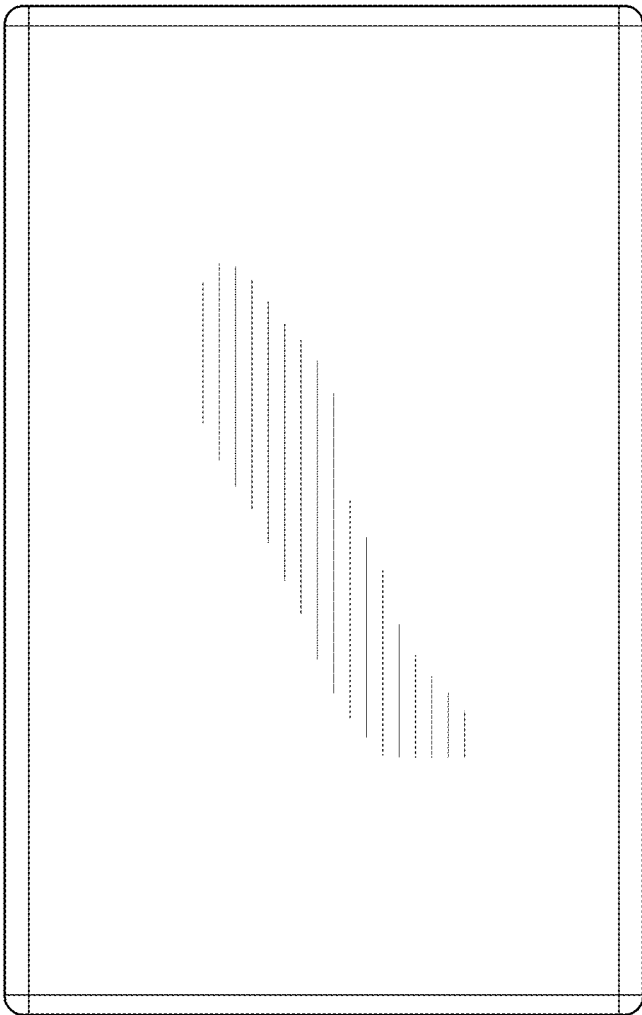


FIG. 8

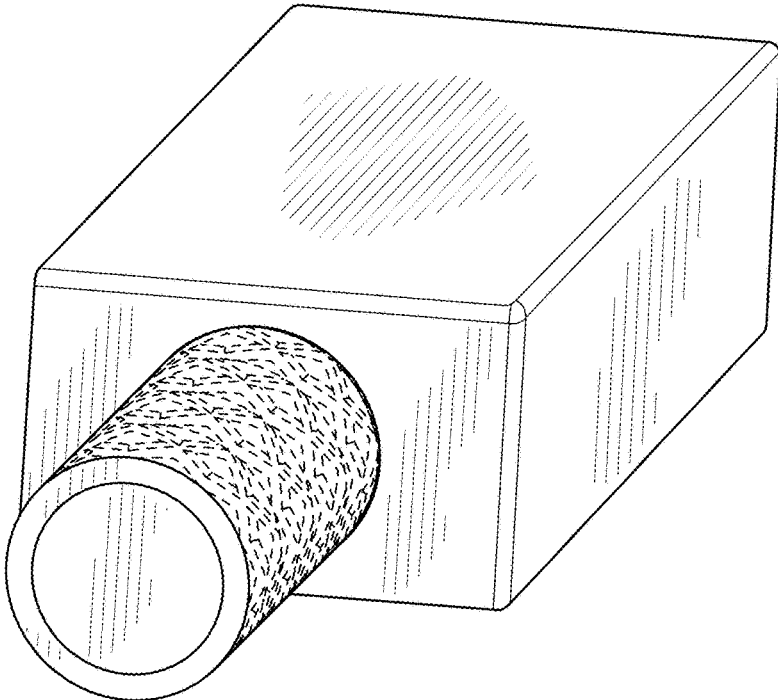


FIG. 9

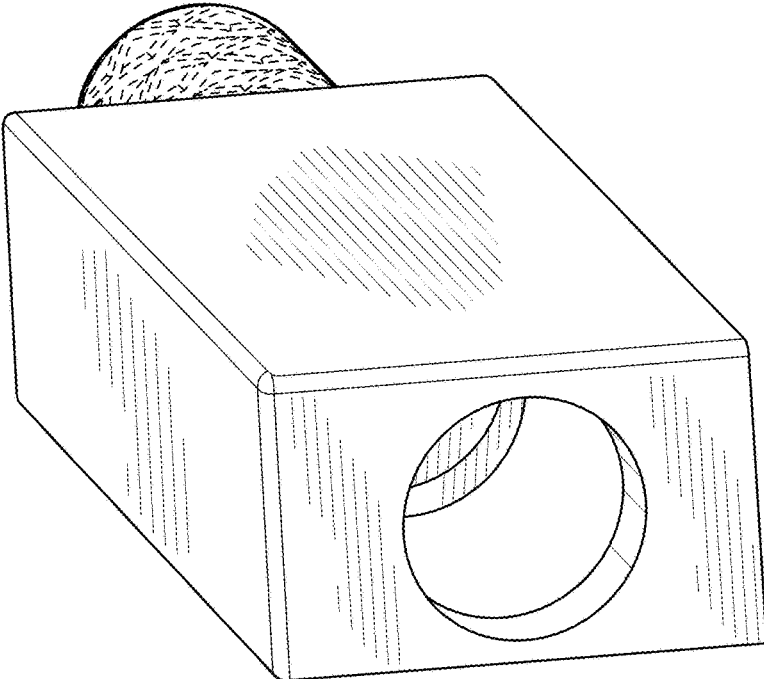


FIG. 10

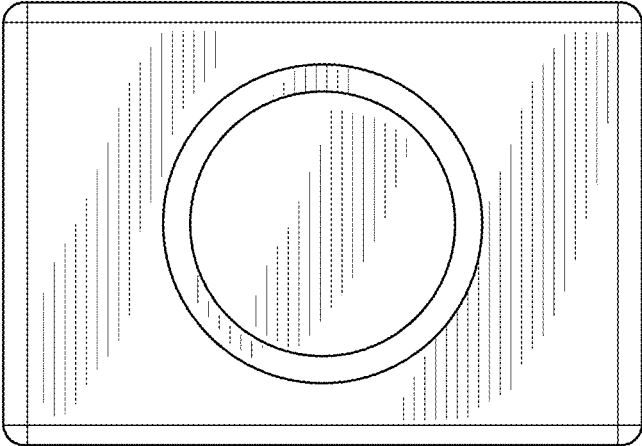


FIG. 11

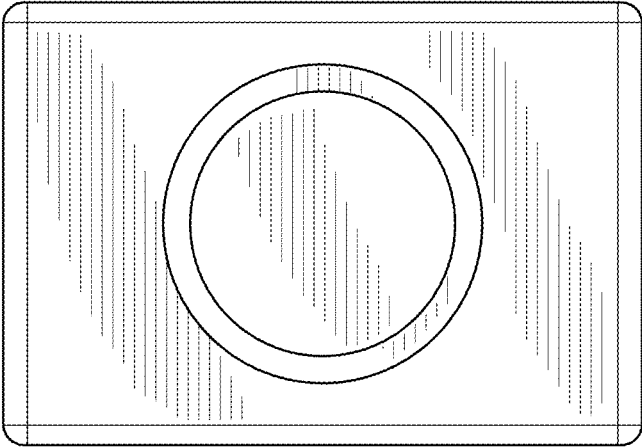


FIG. 12

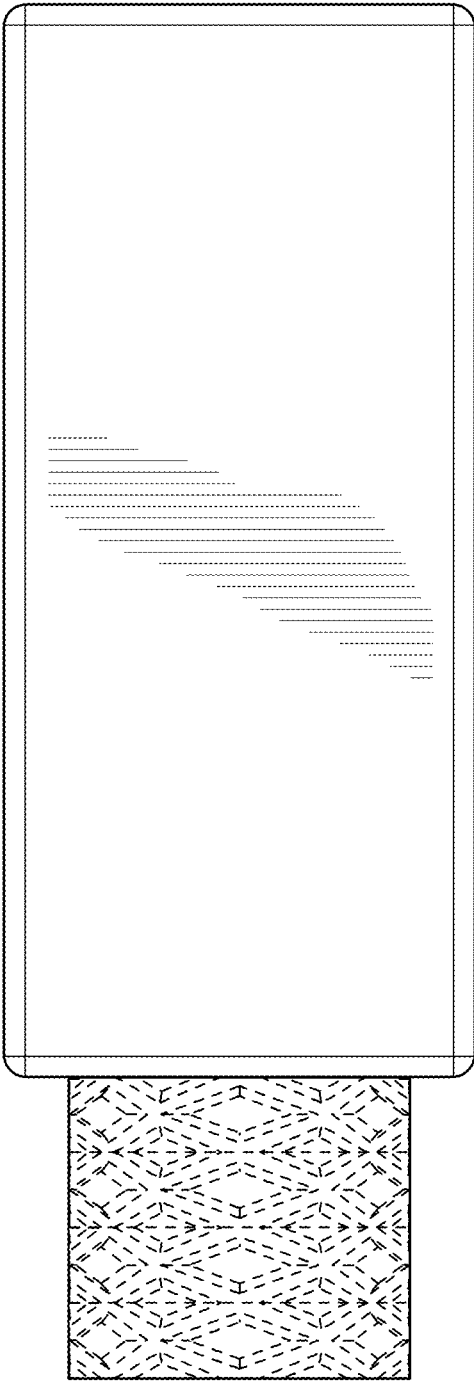


FIG. 13

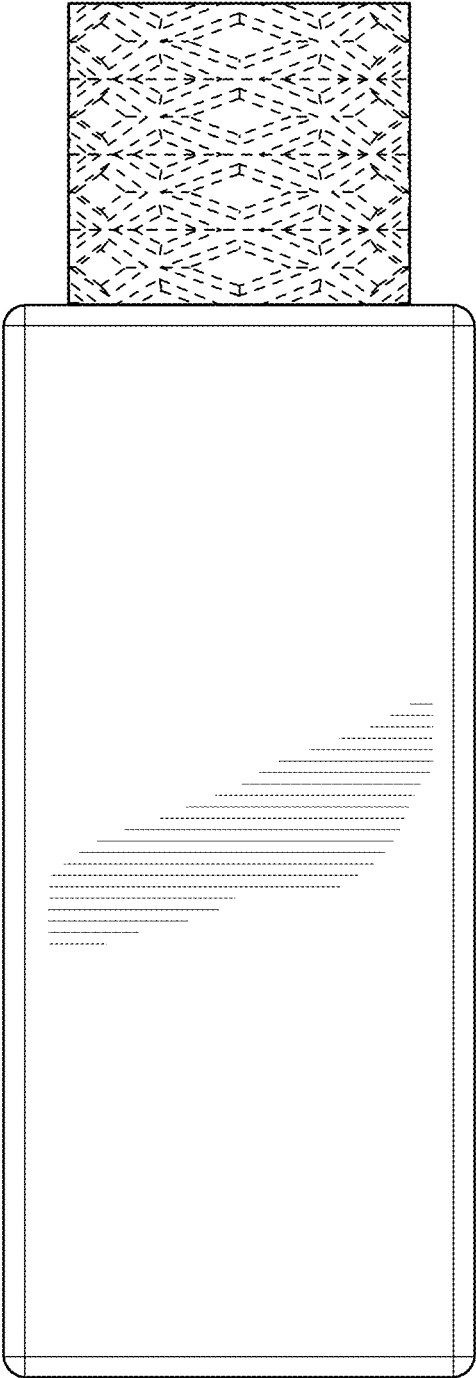


FIG. 14

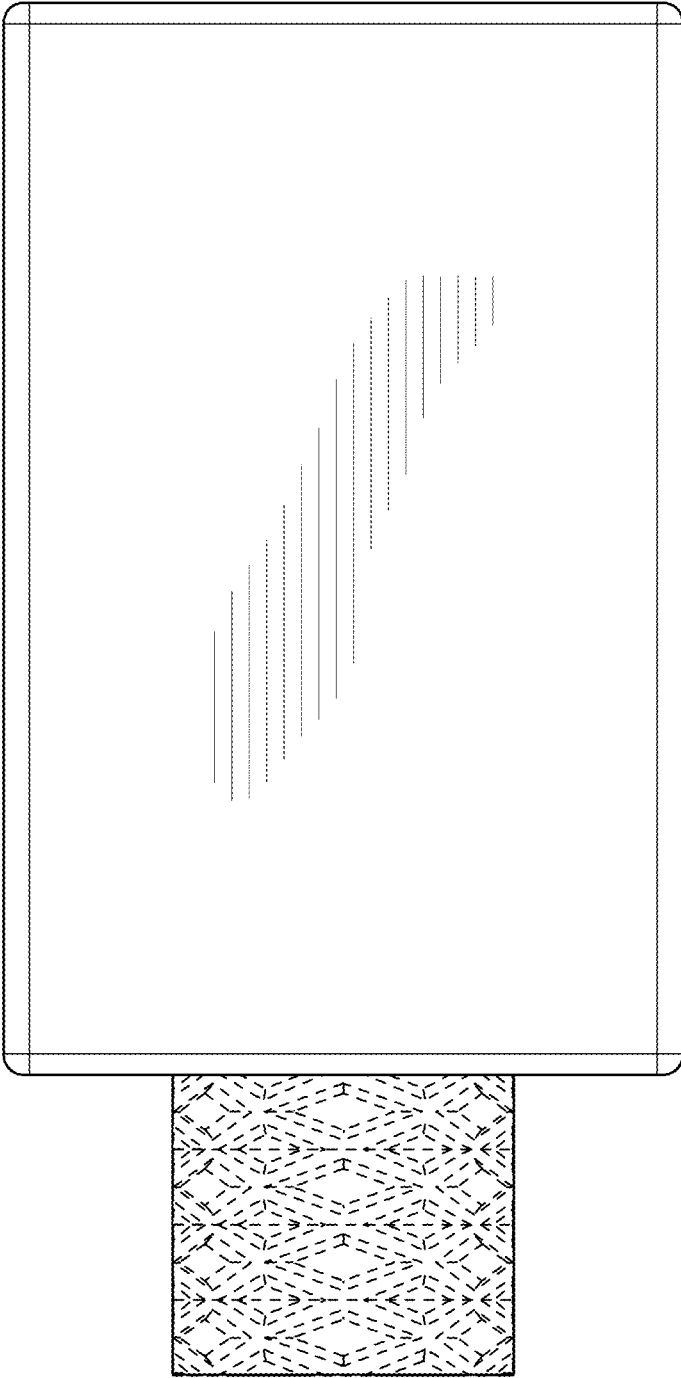


FIG. 15

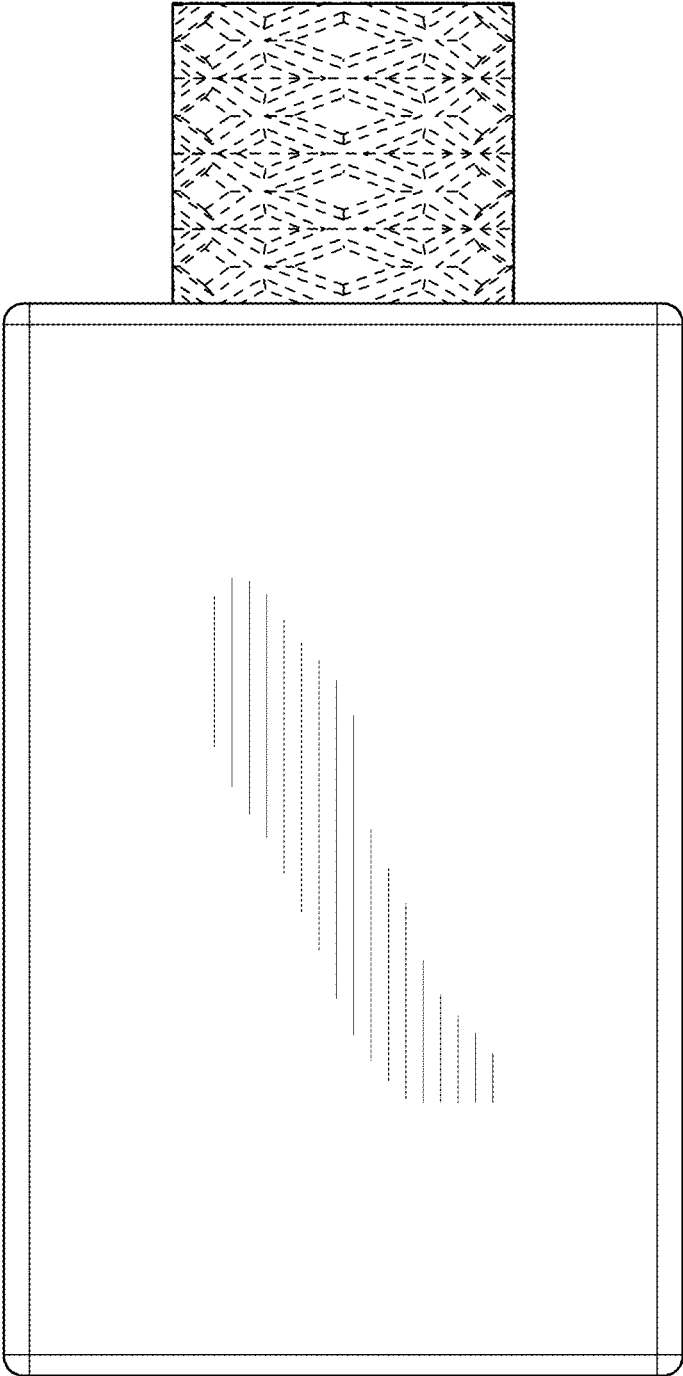


FIG. 16