

CORRECTED VERSION

(19) World Intellectual Property Organization International Bureau



(10) International Publication Number WO 2012/102946 A8

(43) International Publication Date 2 August 2012 (02.08.2012)

- (51) International Patent Classification: F16D 47/04 (2006.01) F16H 55/36 (2006.01) F16D 47/02 (2006.01) F16F 15/121 (2006.01)
(21) International Application Number: PCT/US2012/021956
(22) International Filing Date: 20 January 2012 (20.01.2012)
(25) Filing Language: English
(26) Publication Language: English
(30) Priority Data: 12/931,061 24 January 2011 (24.01.2011) US
(71) Applicant: THE GATES CORPORATION [US/US]; (a Delaware Corporation), 1551 Wewatta Street, Denver, CO 80202 (US).
(72) Inventor: HARVEY, John; 1321 West Lake Drive, Novi, MI 48377 (US).
(74) Agent: THURNAU, Jeffrey, A.; The Gates Corporation, IP Law Dept. 10-A3, 1551 Wewatta Street, Denver, CO 80202 (US).
(81) Designated States (unless otherwise indicated, for every kind of national protection available): AE, AG, AL, AM, AO, AT, AU, AZ, BA, BB, BG, BH, BR, BW, BY, BZ, CA, CH, CL, CN, CO, CR, CU, CZ, DE, DK, DM, DO,

[Continued on nextpage]

(54) Title: ISOLATING DECOUPLER

(57) Abstract: An isolating decoupler comprising a hub, a one-way clutch engaged with the hub, a pulley rotationally engaged with the hub, a spring operationally engaged between the one-way clutch and the pulley, and an inertia member engaged with the hub through an elastomeric member, the inertia member substantially disposed within a width of the pulley, the inertia member moveable independently of the pulley.



WO 2012/102946 A8

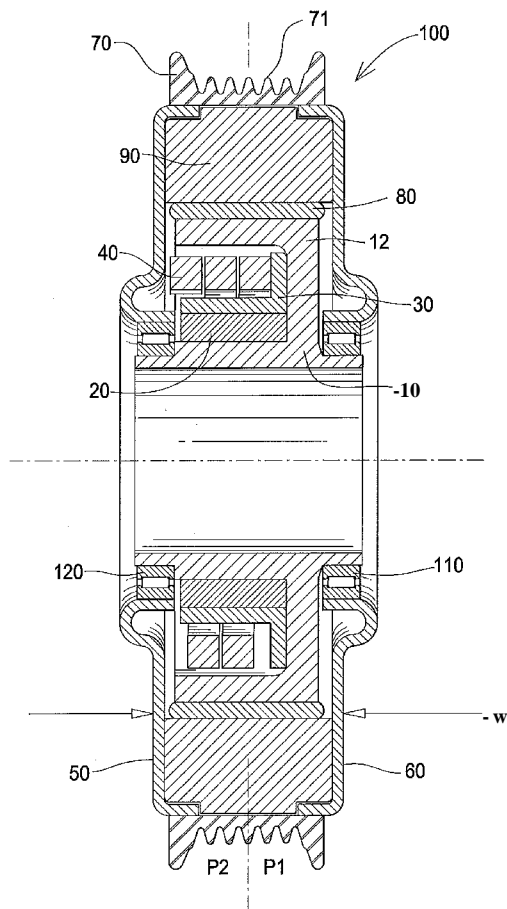


FIG. 1

DZ, EC, EE, EG, ES, FI, GB, GD, GE, GH, GM, GT, HN, HR, HU, ID, IL, IN, IS, JP, KE, KG, KM, KN, KP, KR, KZ, LA, LC, LK, LR, LS, LT, LU, LY, MA, MD, ME, MG, MK, MN, MW, MX, MY, MZ, NA, NG, NI, NO, NZ, OM, PE, PG, PH, PL, PT, QA, RO, RS, RU, RW, SC, SD, SE, SG, SK, SL, SM, ST, SV, SY, TH, TJ, TM, TN, TR, TT, TZ, UA, UG, US, UZ, VC, VN, ZA, ZM, ZW.

- (84) **Designated States** (*unless otherwise indicated, for every kind of regional protection available*): ARIPO (BW, GH, GM, KE, LR, LS, MW, MZ, NA, RW, SD, SL, SZ, TZ, UG, ZM, ZW), Eurasian (AM, AZ, BY, KG, KZ, MD, RU, TJ, TM), European (AL, AT, BE, BG, CH, CY, CZ,

DE, DK, EE, ES, FI, FR, GB, GR, HR, HU, IE, IS, IT, LT, LU, LV, MC, MK, MT, NL, NO, PL, PT, RO, RS, SE, SI, SK, SM, TR), OAPI (BF, BJ, CF, CG, CI, CM, GA, GN, GQ, GW, ML, MR, NE, SN, TD, TG).

Published:

— *with international search report (Art. 21(3))*

(48) **Date of publication of this corrected version:**

13 June 2013

(15) **Information about Correction:**
see Notice of 13 June 2013