



US00D705810S

(12) **United States Design Patent**
Ma et al.

(10) **Patent No.:** **US D705,810 S**

(45) **Date of Patent:** **** May 27, 2014**

(54) **DISPLAY SCREEN OR PORTION THEREOF WITH GRAPHICAL USER INTERFACE**

(71) Applicant: **Samsung Electronics Co., Ltd.,**
Suwon-si (KR)

(72) Inventors: **Cho-Hyang Ma, Yongin-si (KR);**
Hee-Kyung Jeon, Seoul (KR)

(73) Assignee: **Samsung Electronics Co., Ltd.,**
Suwon-si (KR)

(**) Term: **14 Years**

(21) Appl. No.: **29/457,164**

(22) Filed: **Jun. 7, 2013**

(30) **Foreign Application Priority Data**

Mar. 13, 2013 (KR) 30-2013-0012838

(51) **LOC (10) Cl.** **14-04**

(52) **U.S. Cl.**

USPC **D14/492; D14/487**

(58) **Field of Classification Search**

USPC D14/485-488, 492; 715/715, 728, 861
See application file for complete search history.

(56) **References Cited**

U.S. PATENT DOCUMENTS

5,202,828	A *	4/1993	Vertelney et al.	715/236
D391,558	S *	3/1998	Marshall et al.	D14/486
5,724,530	A *	3/1998	Stein et al.	715/748
5,748,927	A *	5/1998	Stein et al.	715/711
5,815,080	A *	9/1998	Taguchi 340/635	
5,877,746	A *	3/1999	Parks et al.	345/156
5,878,274	A *	3/1999	Kono et al.	710/8
6,417,869	B1 *	7/2002	Do 715/718	
6,522,347	B1 *	2/2003	Tsuji et al.	715/848
D488,164	S *	4/2004	Kates et al.	D14/486
6,917,373	B2 *	7/2005	Vong et al.	715/840

D528,557	S *	9/2006	Aoki D14/486	
7,178,111	B2 *	2/2007	Glein et al. 715/848	
D557,699	S *	12/2007	Kim et al. D14/485	
D562,343	S *	2/2008	Fletcher D14/488	
D562,344	S *	2/2008	Anderson et al. D14/488	
D569,875	S *	5/2008	Fletcher et al. D14/488	
D574,842	S *	8/2008	Kwag et al. D14/487	
D576,172	S *	9/2008	Kim D14/486	
D621,410	S *	8/2010	Verfuerth et al. D14/486	
D640,270	S *	6/2011	Barnett et al. D14/487	
D648,346	S	11/2011	Anzures	
8,225,236	B2 *	7/2012	Cho et al. 715/859	

(Continued)

FOREIGN PATENT DOCUMENTS

EM	002084095-0018	8/2012
EM	002084095-0019	8/2012

OTHER PUBLICATIONS

1000 Icons, Symbols + Pictograms: Visual Communication for Every Language, Rockport Publishers, Gloucester, MA © 2006, p. 243.*

(Continued)

Primary Examiner — Karen E Kearney

(74) *Attorney, Agent, or Firm* — NSIP Law

(57) **CLAIM**

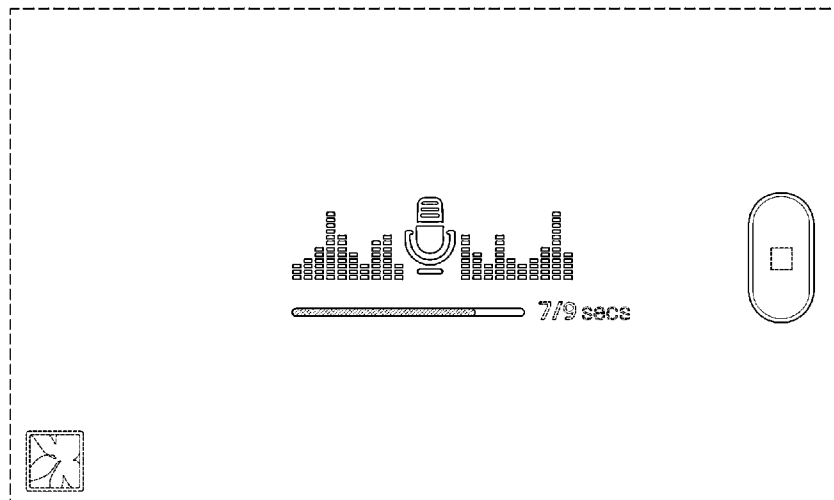
The ornamental design for a display screen or portion thereof with graphical user interface, as shown and described.

DESCRIPTION

FIG. 1 is a front view of a display screen or portion thereof with graphical user interface, showing our new design; and, FIG. 2 is a front view of a second embodiment thereof.

The broken line showings of the display screen, symbols, numbers, and text are included for the purpose of illustrating environmental structure and forms no part of the claimed design.

1 Claim, 2 Drawing Sheets



(56)

References Cited

U.S. PATENT DOCUMENTS

D671,558 S 11/2012 Anzures et al.
D676,871 S * 2/2013 Antonio D14/492
D678,319 S * 3/2013 Lee et al. D14/486
D682,881 S * 5/2013 Davydov et al. D14/492
D687,462 S * 8/2013 Anzures D14/492
2008/0235248 A1 * 9/2008 Krantz et al. 707/100
2009/0077491 A1 * 3/2009 Kim 715/810
2010/0005347 A1 * 1/2010 Kim et al. 714/57
2010/0107069 A1 * 4/2010 Shiga 715/702
2010/0235746 A1 * 9/2010 Anzures 715/723
2011/0161080 A1 * 6/2011 Ballinger et al. 704/235

2012/0022872 A1 * 1/2012 Gruber et al. 704/270.1
2012/0197996 A1 * 8/2012 Raman et al. 709/204
2013/0219277 A1 * 8/2013 Wang et al. 715/728
2013/0275875 A1 * 10/2013 Gruber et al. 715/728

OTHER PUBLICATIONS

Registered Trademark Serial No. 85804376, Pearson Music Group, filed on Dec. 17, 2012.*
Registered Trademark Serial No. 85179945, Tieline Pty Ltd., filed on Nov. 18, 2010.*
Taiwanese Office Action issued Nov. 14, 2013 in counterpart Taiwanese Patent Application No. 102303437 (4 pages, in Taiwanese).

* cited by examiner

FIG. 1

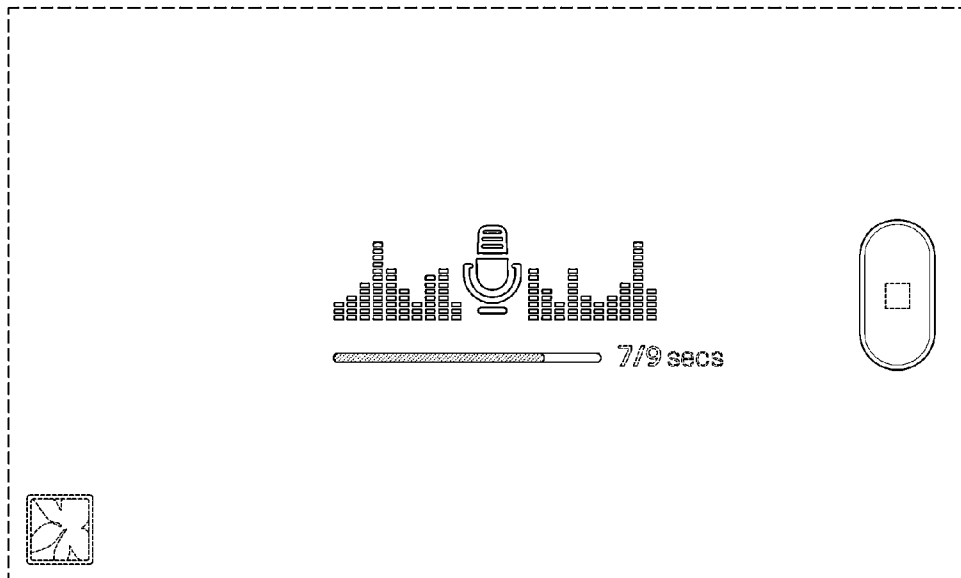


FIG. 2

