



(12) **United States Design Patent**
Coushaine et al.

(10) **Patent No.:** **US D586,751 S**
(45) **Date of Patent:** **** Feb. 17, 2009**

- (54) **LIGHT EMITTING DIODE BULB CONNECTOR**
- (75) Inventors: **Charles M. Coushaine**, Rindge, NH (US); **Thomas Tessnow**, Weare, NH (US); **Kim Albright**, Warner, NH (US)
- (73) Assignee: **Osram Sylvania, Inc.**, Danvers, MA (US)

| | | | |
|-------------------|---------|-----------------------|---------|
| 6,955,451 B2 | 10/2005 | Coushaine et al. | |
| 6,991,355 B1 | 1/2006 | Coushaine et al. | |
| 7,008,095 B2 | 3/2006 | Coushaine et al. | |
| 7,052,166 B2 * | 5/2006 | Tessnow | 362/647 |
| 7,093,958 B2 | 8/2006 | Coushaine | |
| 7,111,971 B2 * | 9/2006 | Coushaine et al. | 362/545 |
| 7,166,955 B2 * | 1/2007 | Coushaine et al. | 313/46 |
| 7,186,010 B2 * | 3/2007 | Coushaine et al. | 362/547 |
| D573,111 S * | 7/2008 | Liu et al. | D13/179 |
| 2005/0047145 A1 * | 3/2005 | Coushaine et al. | 362/294 |
| 2005/0243559 A1 * | 11/2005 | Coushaine et al. | 362/294 |
| 2006/0126328 A1 * | 6/2006 | Coushaine | 362/247 |
| 2007/0047251 A1 * | 3/2007 | Sanroma et al. | 362/545 |

- (**) Term: **14 Years**
- (21) Appl. No.: **29/261,347**
- (22) Filed: **Jun. 13, 2006**

Related U.S. Application Data

- (63) Continuation of application No. 11/109,917, filed on Apr. 20, 2005, now Pat. No. 7,092,612, and a continuation of application No. 11/058,304, filed on Feb. 16, 2005, now Pat. No. 7,110,656, and a continuation of application No. 10/838,090, filed on May 3, 2004, now Pat. No. 7,059,748, and a continuation of application No. 10/830,261, filed on Apr. 22, 2004, now Pat. No. 7,075,224.

- (51) **LOC (9) Cl.** **13-03**
- (52) **U.S. Cl.** **D13/134**
- (58) **Field of Classification Search** D13/123, D13/133, 134, 136, 179; 165/80.3, 104.33, 165/151, 122, 185; 257/706, 707, 718-722; 361/687, 695, 697, 700, 702, 704, 709, 710, 361/711, 719; 362/294

See application file for complete search history.

(56) **References Cited**

U.S. PATENT DOCUMENTS

- D423,453 S * 4/2000 Tremaglio et al. D13/125
- 6,682,211 B2 1/2004 English et al.
- 6,773,138 B2 8/2004 Coushaine

* cited by examiner

Primary Examiner—Daniel D Bui

Assistant Examiner—Thomas J Johannes

(74) *Attorney, Agent, or Firm*—Sterne, Kessler, Goldstein & Fox P.L.L.C.

(57) **CLAIM**

The ornamental design for a light emitting diode bulb connector, as shown and described.

DESCRIPTION

FIG. 1 is a perspective view of a light emitting diode bulb connector showing our new design;

FIG. 2 is a front view thereof;

FIG. 3 is a rear view thereof;

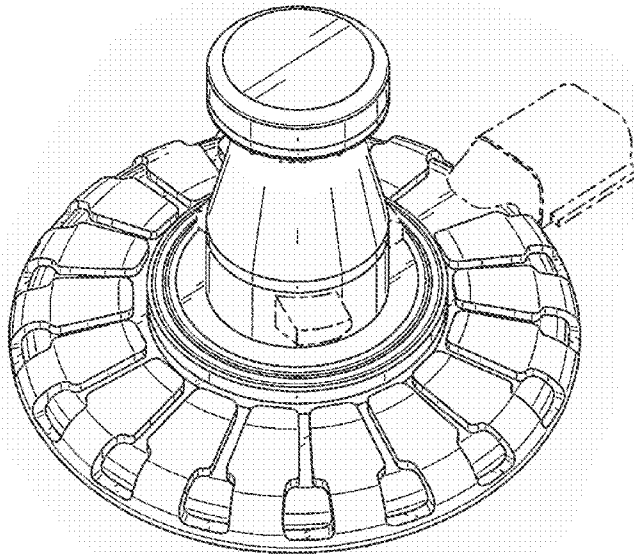
FIG. 4 is a right side view thereof;

FIG. 5 is a left side view thereof; and,

FIG. 6 is a top view thereof.

The broken lines shown in the figures are environmental only and form no part of the claimed design. The inventors reserve the right to claim any part, portion, element or combination thereof of the disclosed design.

1 Claim, 4 Drawing Sheets



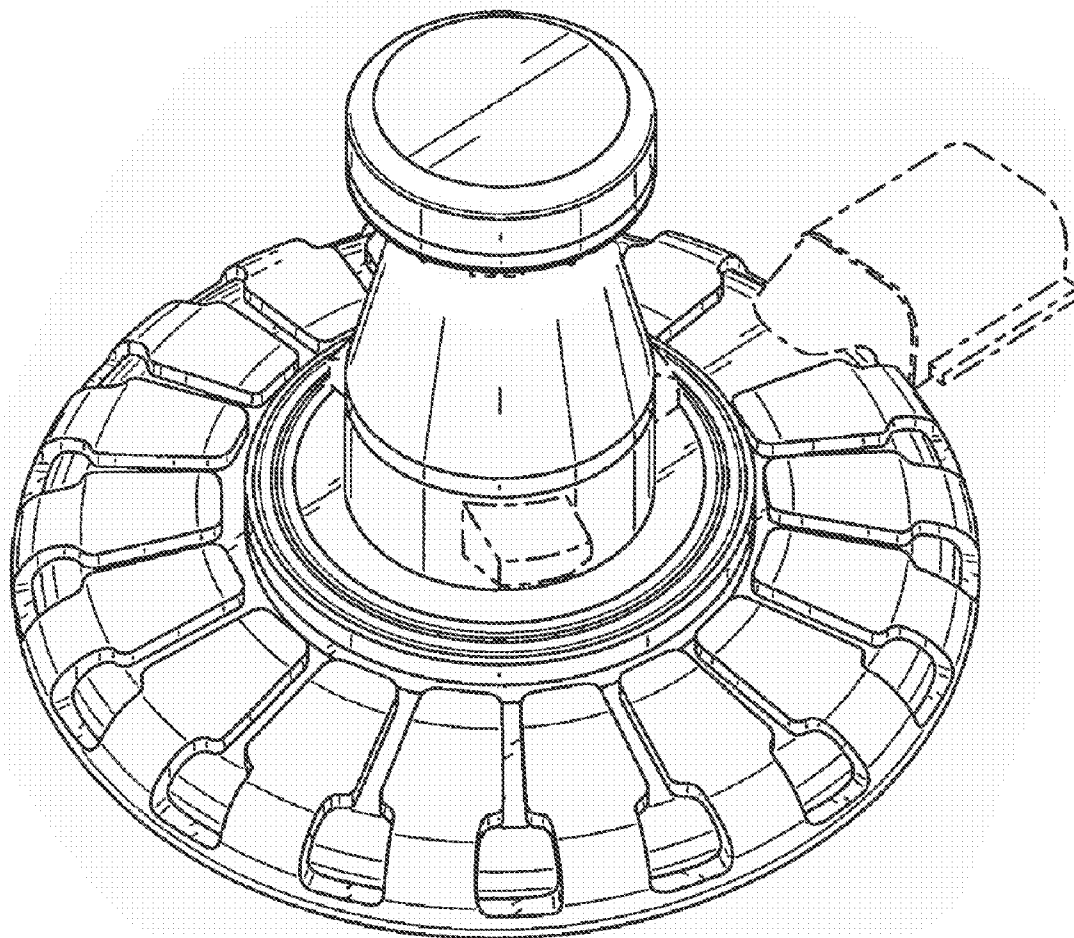


FIG. 1

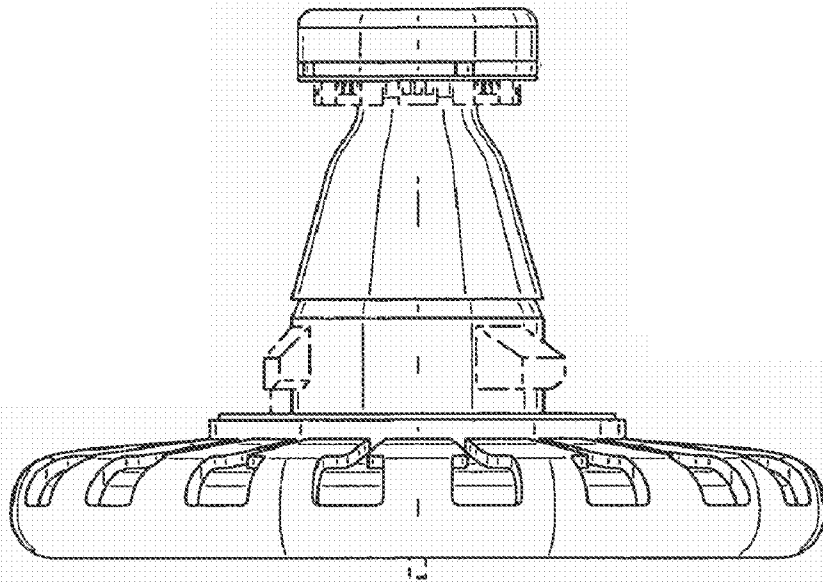


FIG. 2

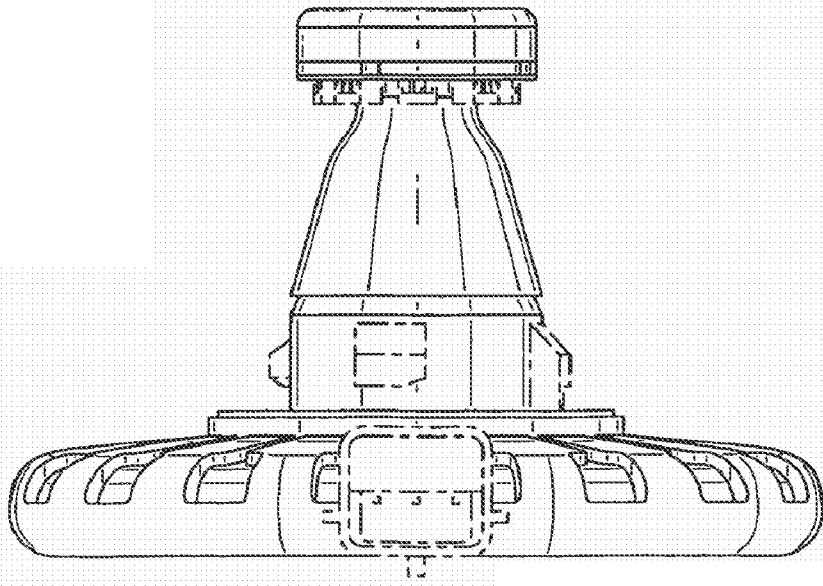


FIG. 3

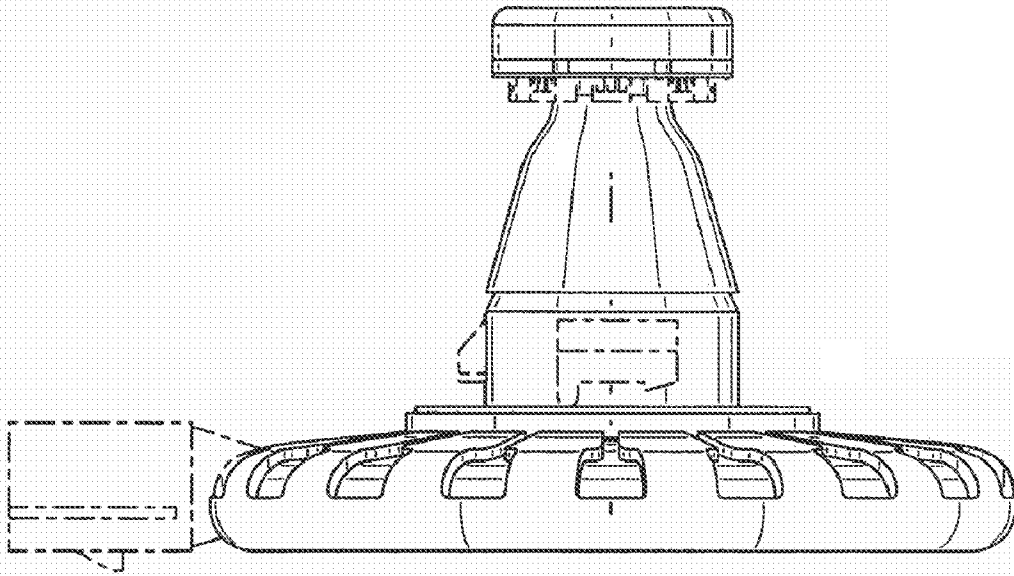


FIG. 4

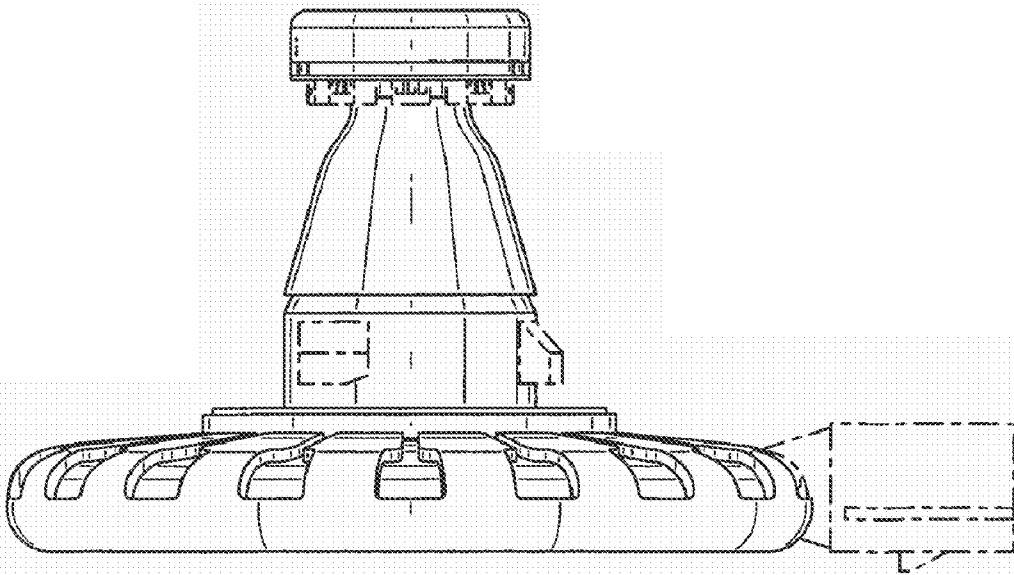


FIG. 5

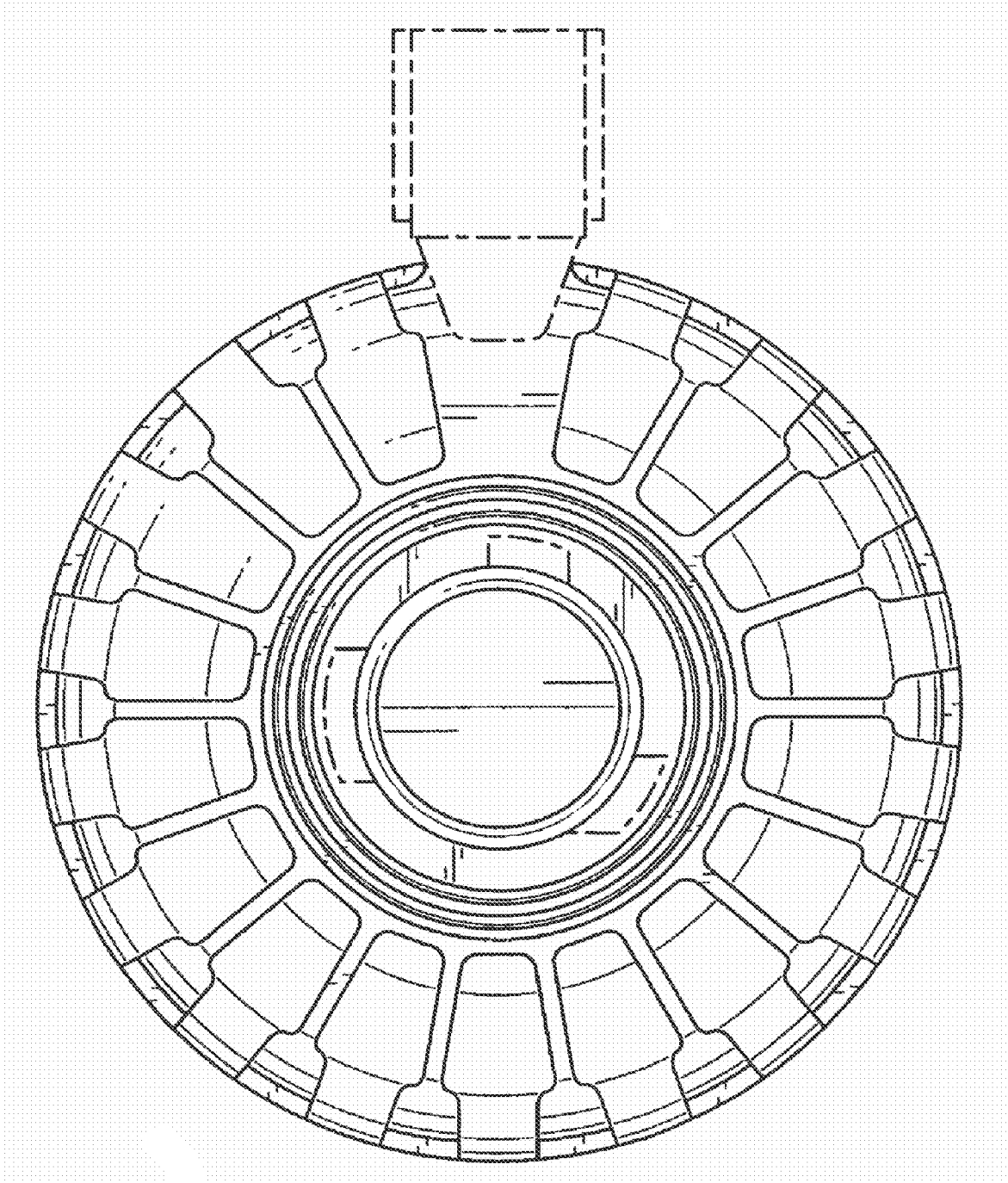


FIG. 6