

[54] PANEL UNIT FOR A WORK STATION

[75] Inventor: Thomas D. Hontz, Quakertown, Pa.

[73] Assignee: J.G. Furniture Systems, Quakertown, Pa.

[\*\*] Term: 14 Years

[21] Appl. No.: 931,152

[22] Filed: Nov. 17, 1986

[52] U.S. Cl. .... D6/421; D6/332

[58] Field of Search ..... D6/332, 422, 423, 424, D6/425, 426, 427, 428, 421; 108/59, 60; 312/194, 195, 196; 160/135

[56] References Cited

U.S. PATENT DOCUMENTS

D. 278,395 4/1985 Keeler ..... D6/332

OTHER PUBLICATIONS

*Interiors*, Jul. 1980, inside back cover, Panel Work Station Unit on page.

"System One.5" by Panel Concepts Inc., inside pamphlet.

*Primary Examiner*—Carmen H. Vales-Lado  
*Attorney, Agent, or Firm*—Nixon & Vanderhye

[57] CLAIM

The ornamental design for a panel unit for a work station, as shown and described.

DESCRIPTION

FIG. 1 is a perspective view of a panel unit for a work station showing my new design;

FIG. 2 is a top plan view thereof;

FIG. 3 is a left side elevational view thereof;

FIG. 4 is a rear elevational view thereof;

FIG. 5 is a right side elevational view thereof;

FIG. 6 is a front elevational view thereof;

FIG. 7 is a perspective view, the showing of broken line matter is for illustrative purposes only and forms no part of the claimed design;

FIG. 8 is a top plan view thereof.

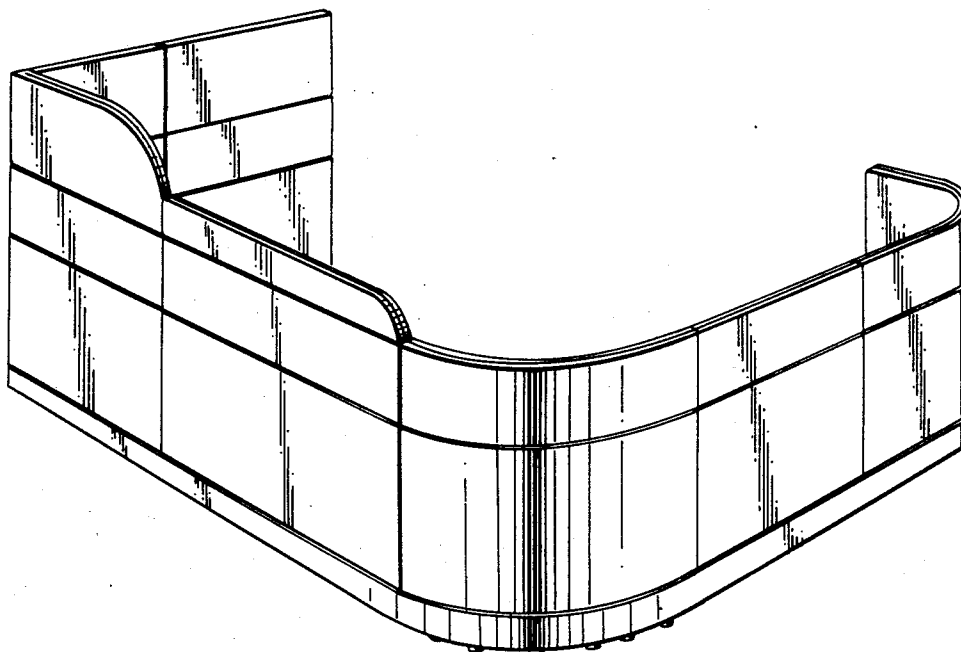


FIG. 1

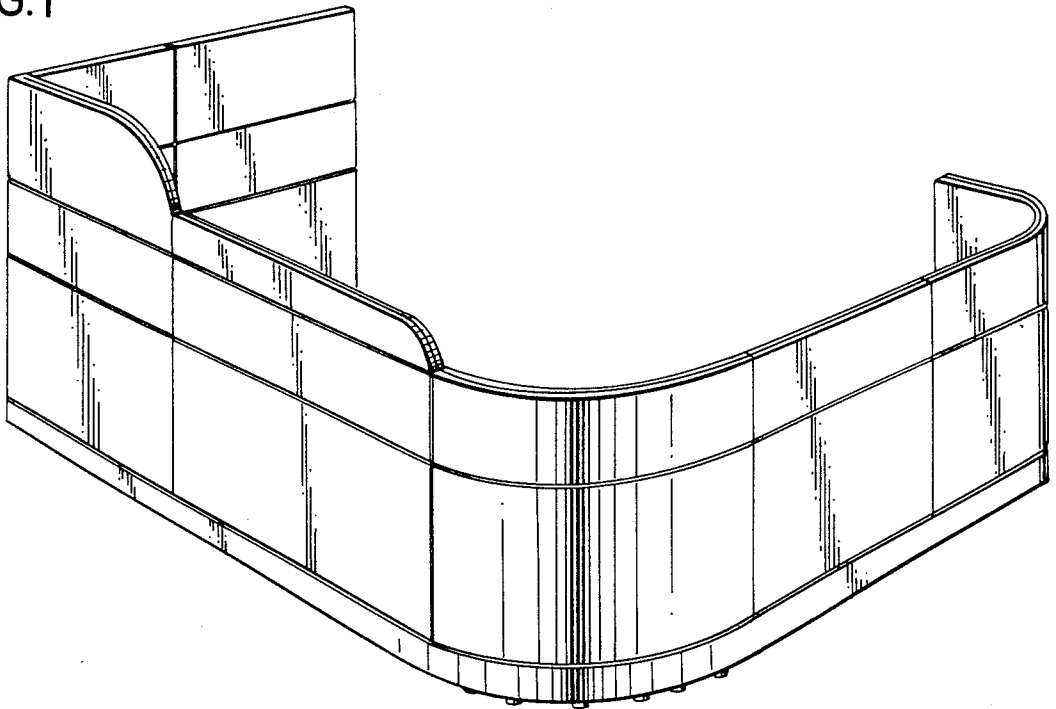


FIG. 2

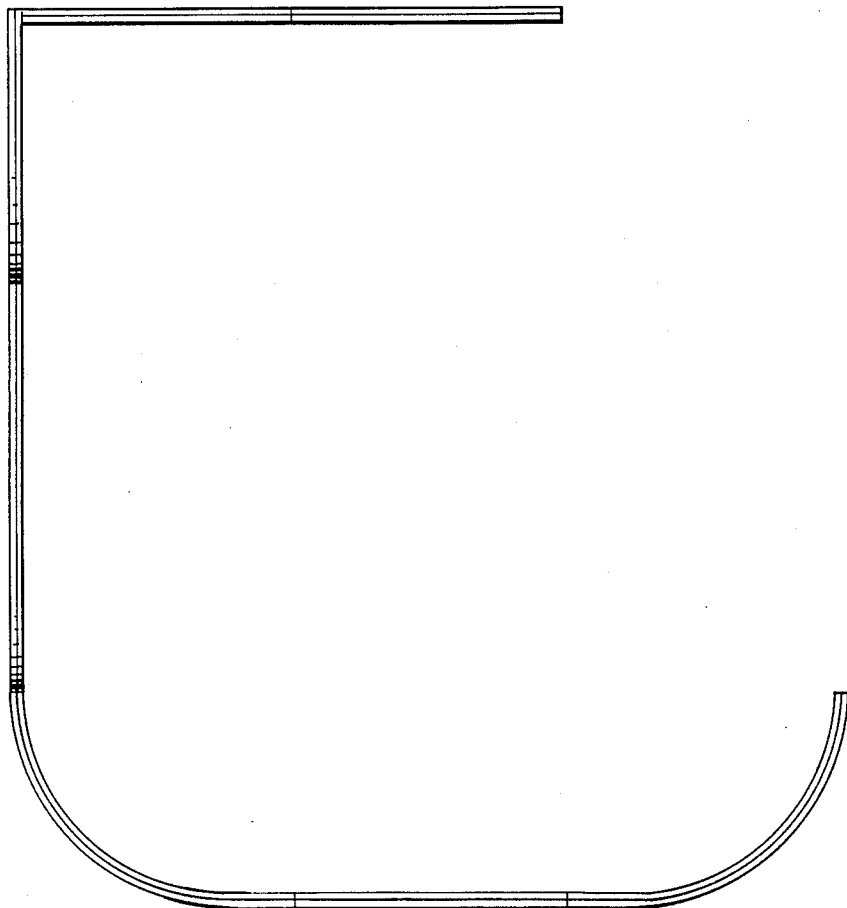


FIG. 3

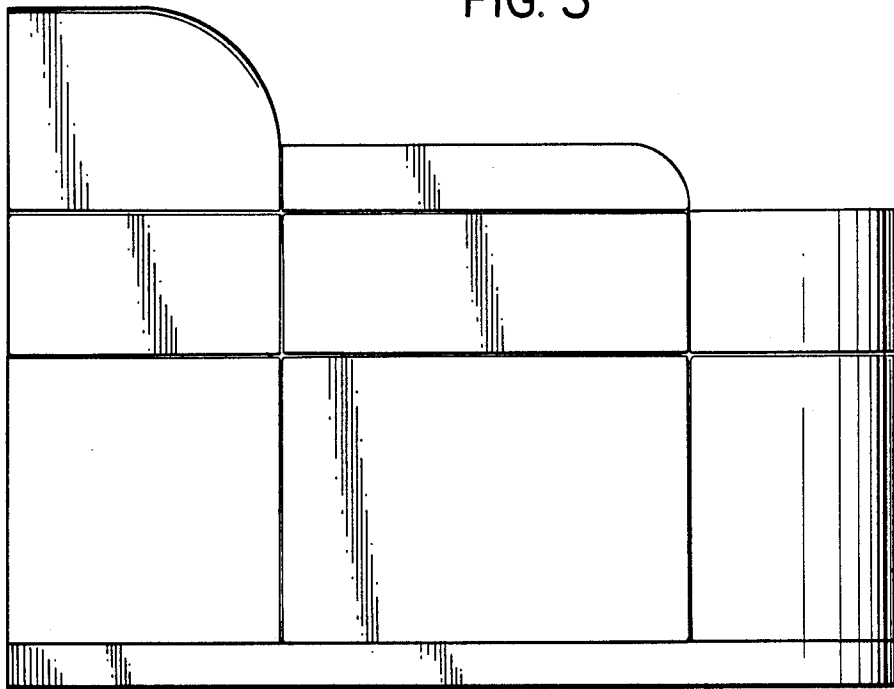


FIG. 4

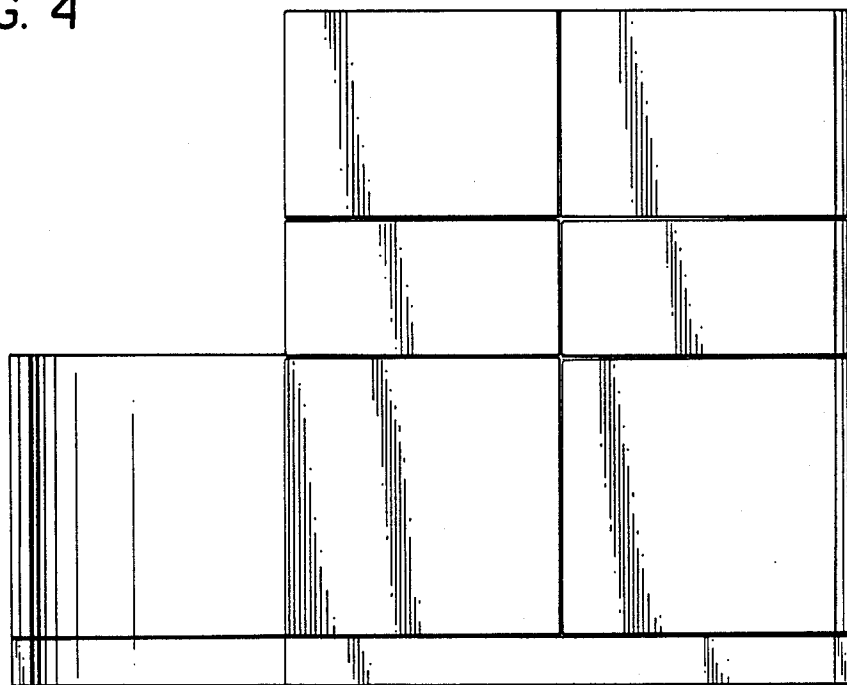


FIG. 5

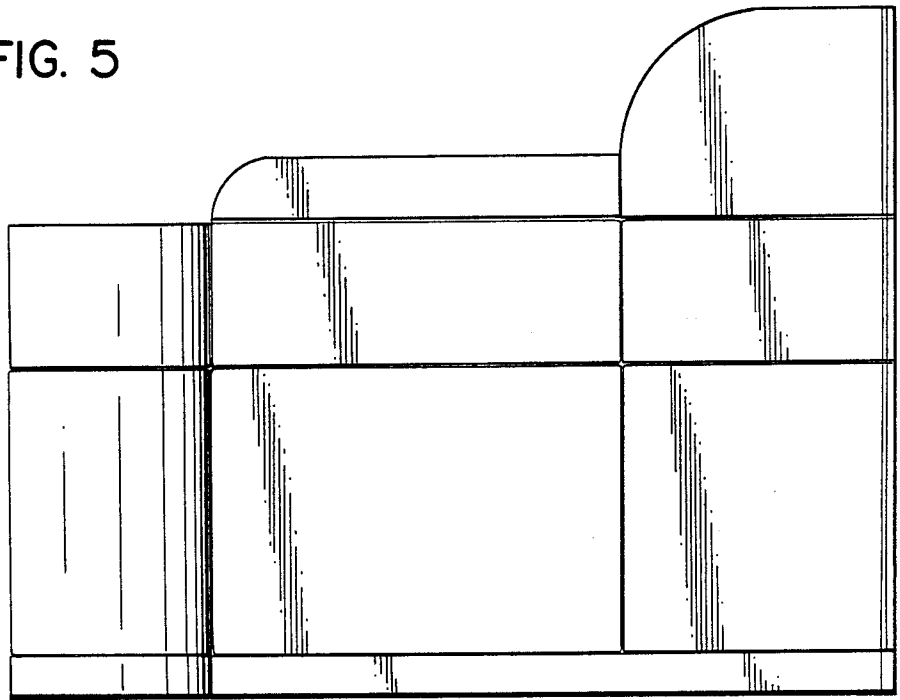


FIG. 6

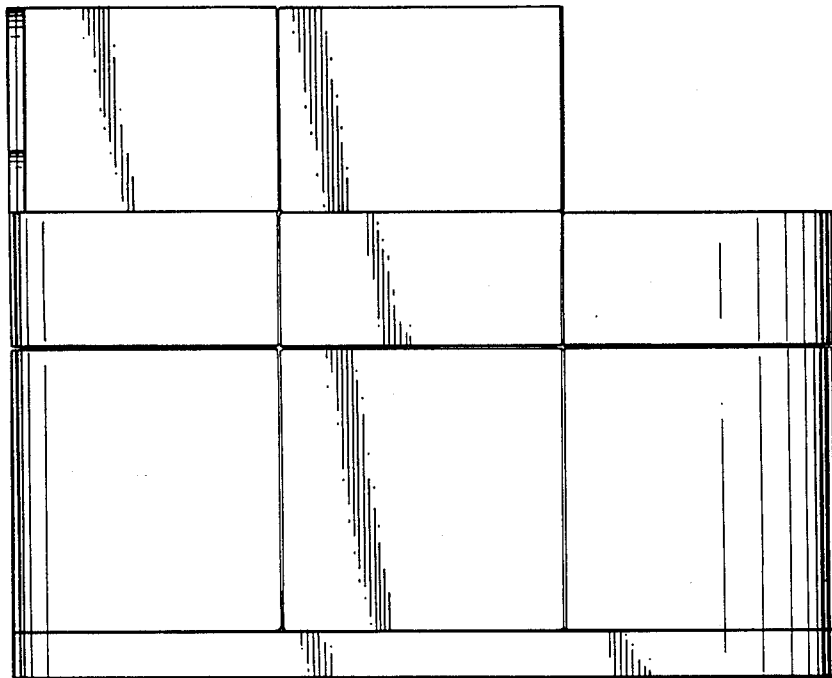


FIG. 7

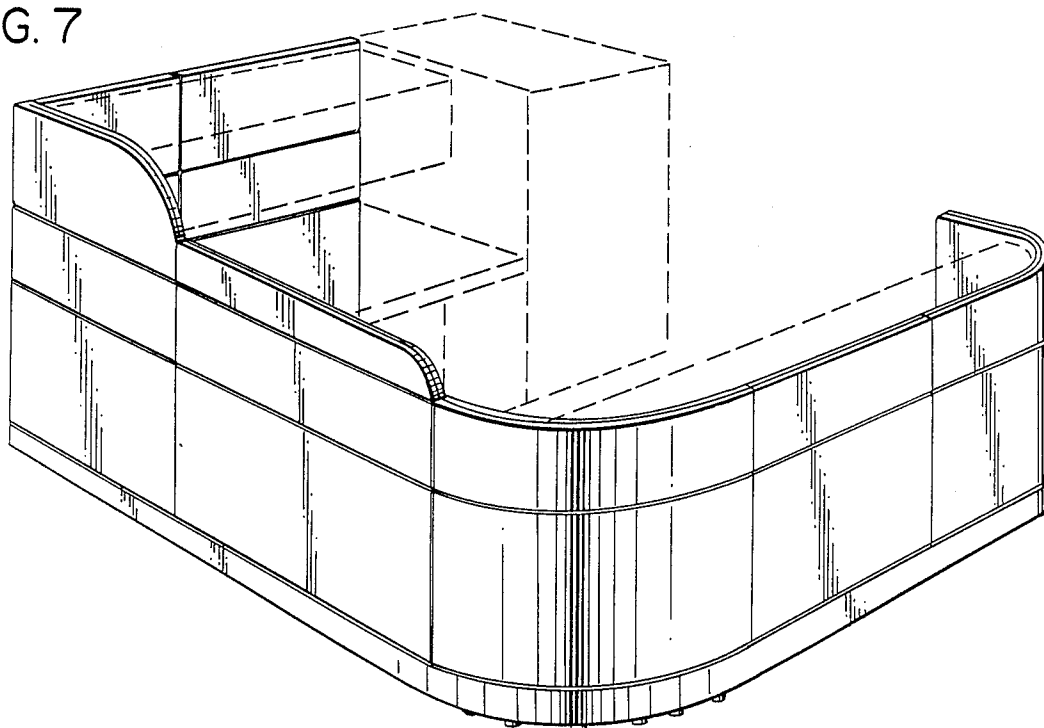


FIG. 8

