

[54] HAIR DRYER WITH ACCESSORY ATTACHMENTS

[75] Inventor: Heinz-Ulrich Haase, Kronberg, Fed. Rep. of Germany

[73] Assignee: Braun A G, Frankfurt am Main, Fed. Rep. of Germany

[\*\*] Term: 14 Years

[21] Appl. No.: 902,790

[22] Filed: May 3, 1978

[30] Foreign Application Priority Data

Nov. 9, 1977 [DE] Fed. Rep. of Germany ..... 738660

[51] Int. Cl. .... D28-03

[52] U.S. Cl. .... D28/13; D28/18

[58] Field of Search ..... D28/10, 12, 13, 15-18, D28/24; D4/14; 34/96-101; 132/9, 7

[56] References Cited

U.S. PATENT DOCUMENTS

- D. 230,431 2/1974 Anderson ..... D28/13
- D. 252,472 7/1979 Wistrand ..... D28/13
- 3,397,463 8/1968 Laing ..... D28/13 X

FOREIGN PATENT DOCUMENTS

2307992 8/1974 Fed. Rep. of Germany ..... 34/96

OTHER PUBLICATIONS

*The Sunday Star & Daily News*, p. A-19-Sun Valley Styler.

Primary Examiner—Louis S. Zarfes

Attorney, Agent, or Firm—Michael J. Striker

[57] CLAIM

The ornamental design for a hair dryer with accessory attachments, substantially as shown and described.

DESCRIPTION

FIG. 1 is a front elevational view of a hair dryer showing my new design;  
 FIG. 2 is a right side elevational view thereof;  
 FIG. 3 is a left side elevational view thereof;  
 FIG. 4 is a rear elevational view thereof;  
 FIG. 5 is a front end view thereof;  
 FIG. 6 is a rear end view thereof;  
 FIG. 7 is a perspective view thereof;  
 FIG. 8 is another perspective view thereof, but showing a comb accessory attached to the hair dryer;  
 FIG. 9 is a perspective view of the hair dryer with a nozzle accessory attached thereto;  
 FIG. 10 is a perspective view of the hair dryer with a brush accessory attached thereto.

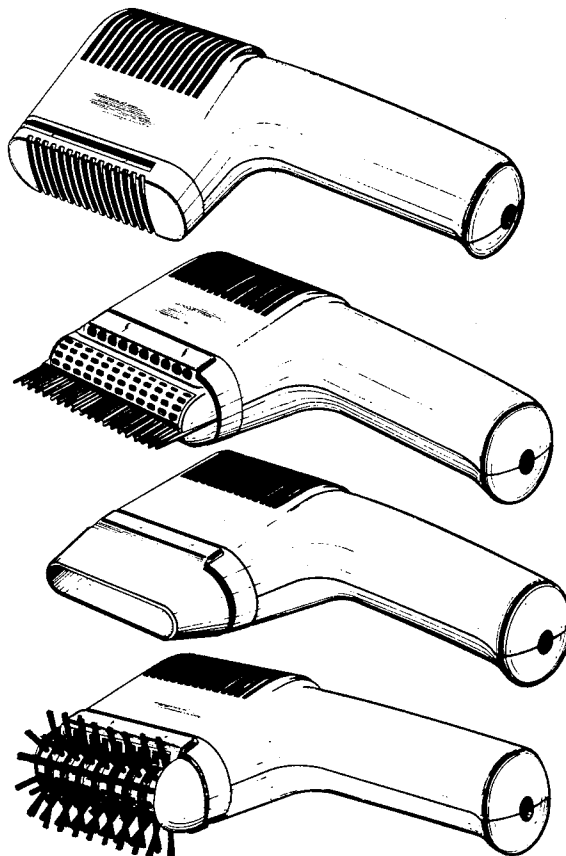


FIG. 1

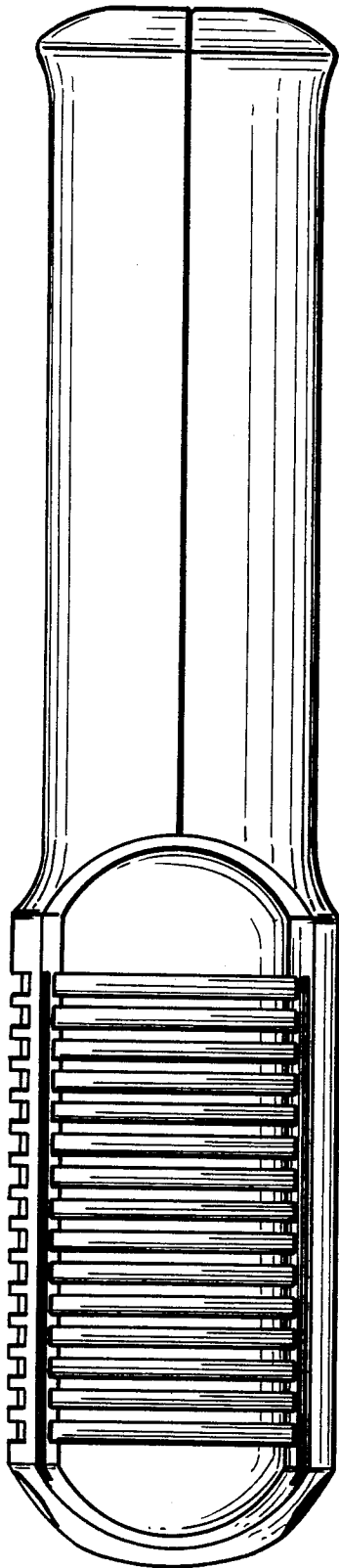


FIG. 4

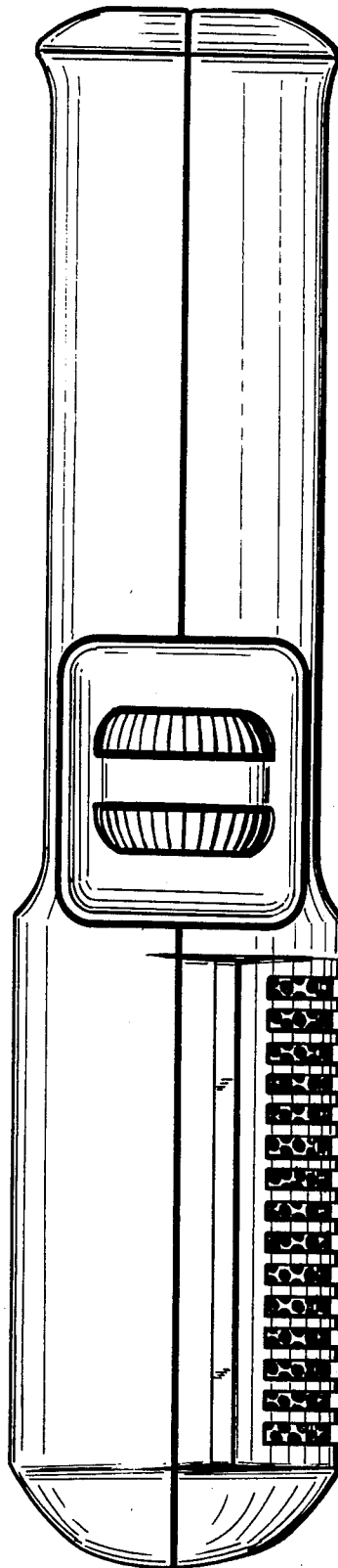


FIG. 2

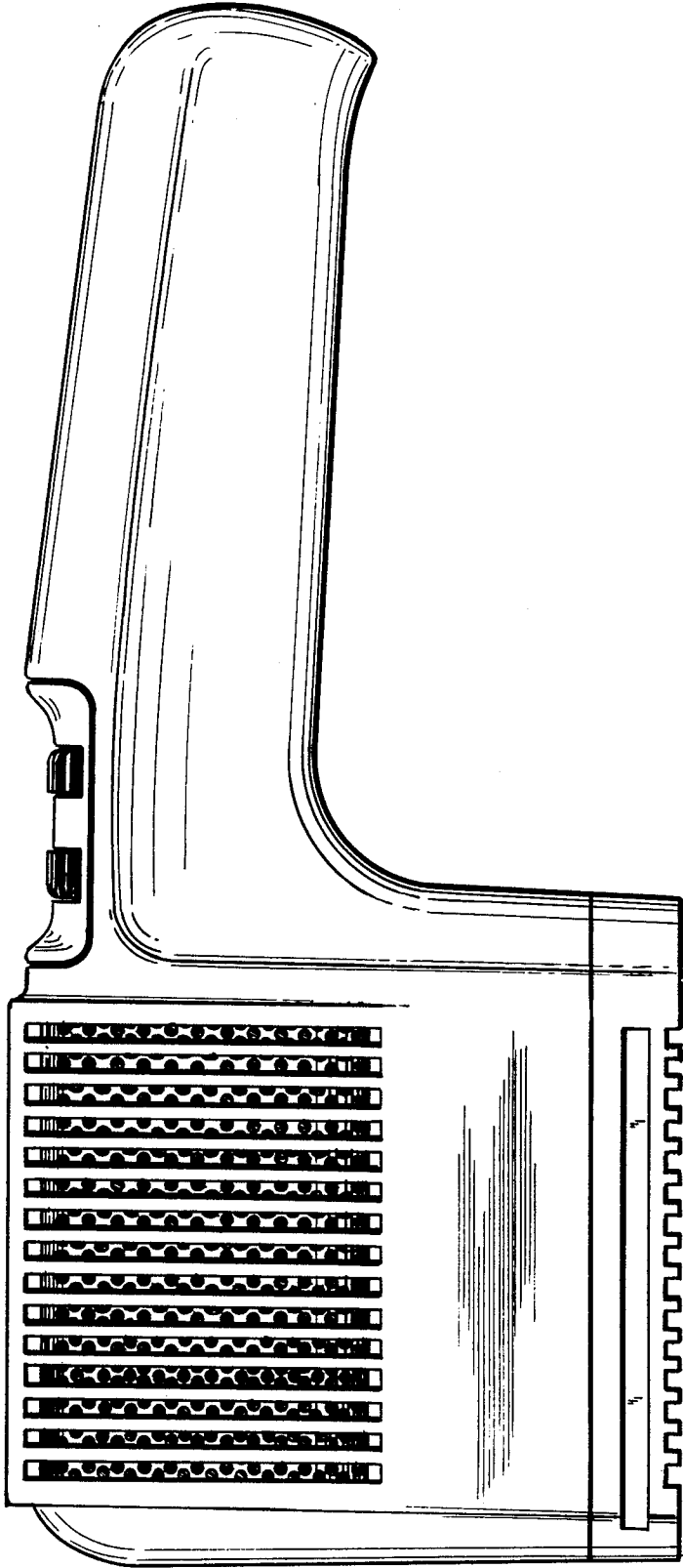
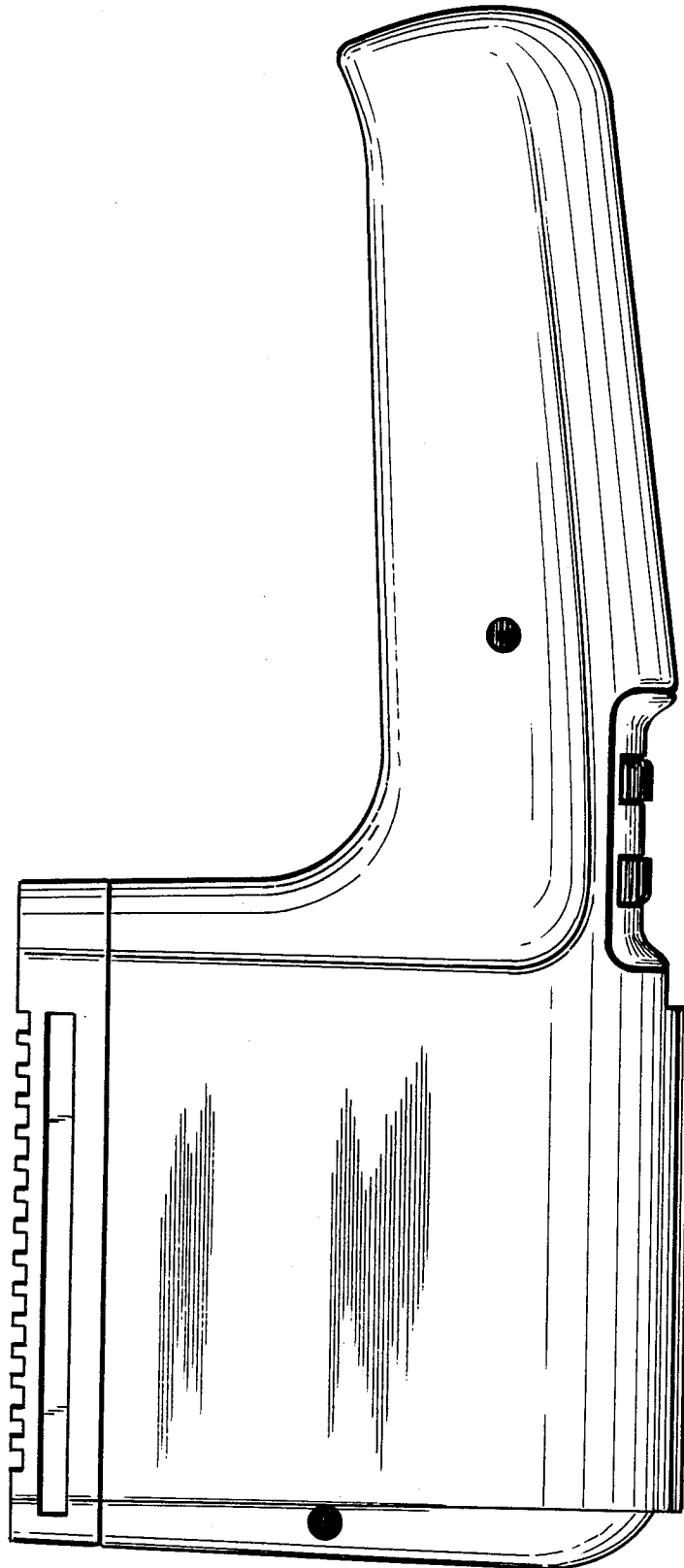
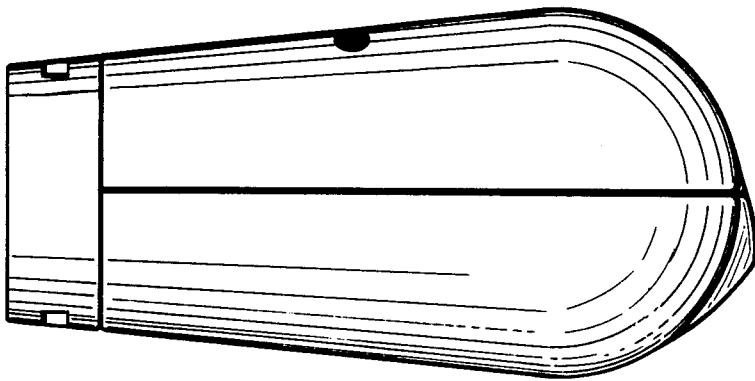


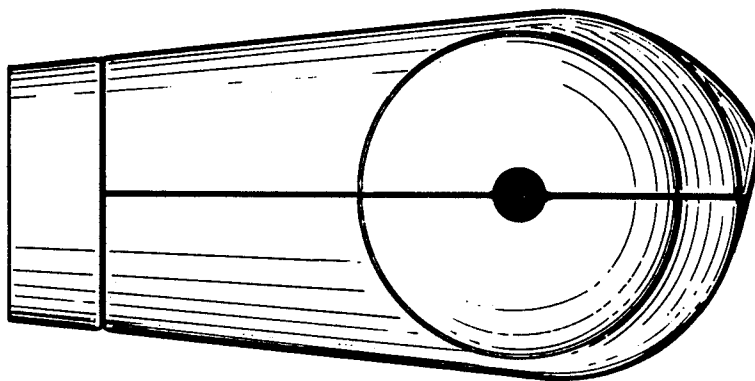
FIG. 3



*FIG. 5*



*FIG. 6*



*FIG. 7*

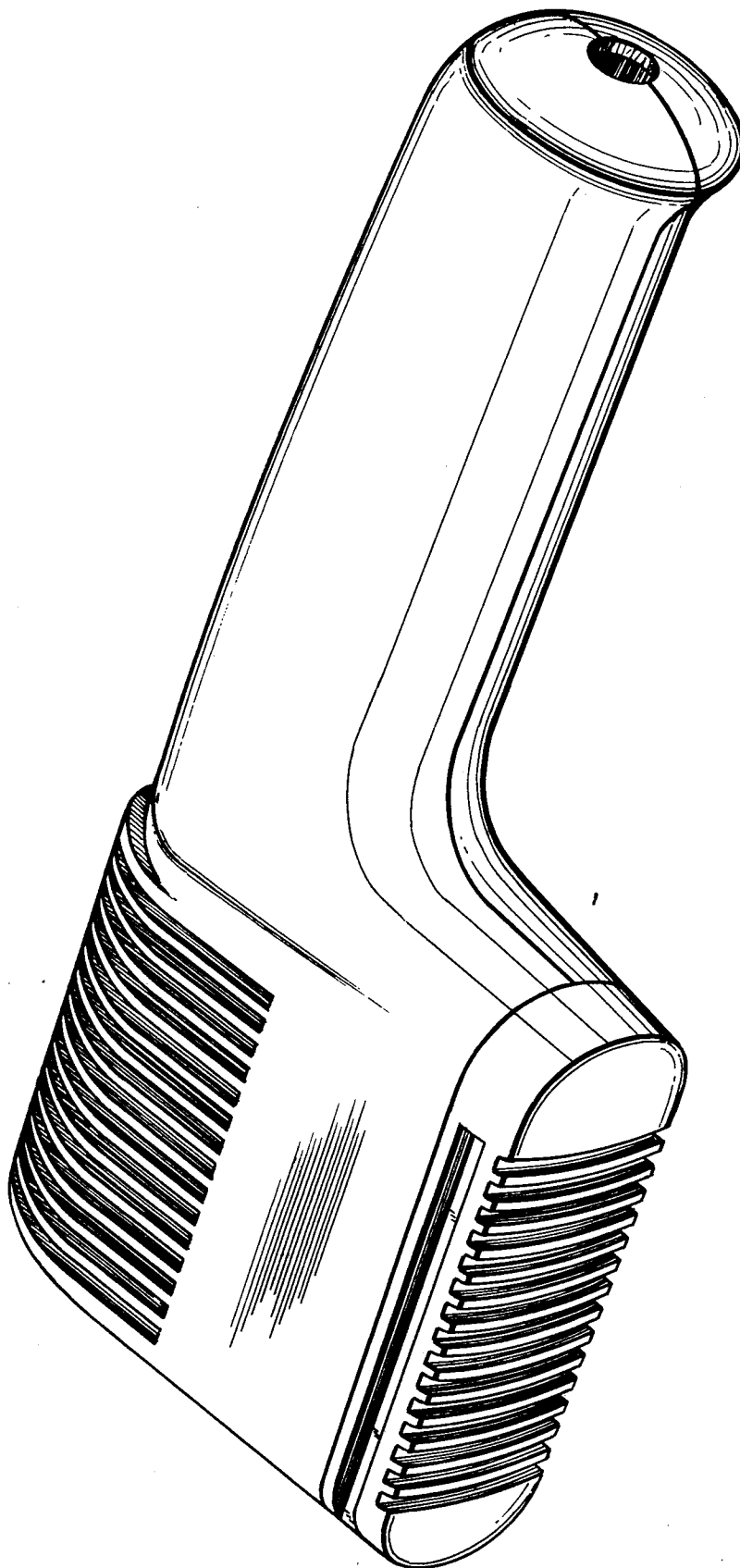
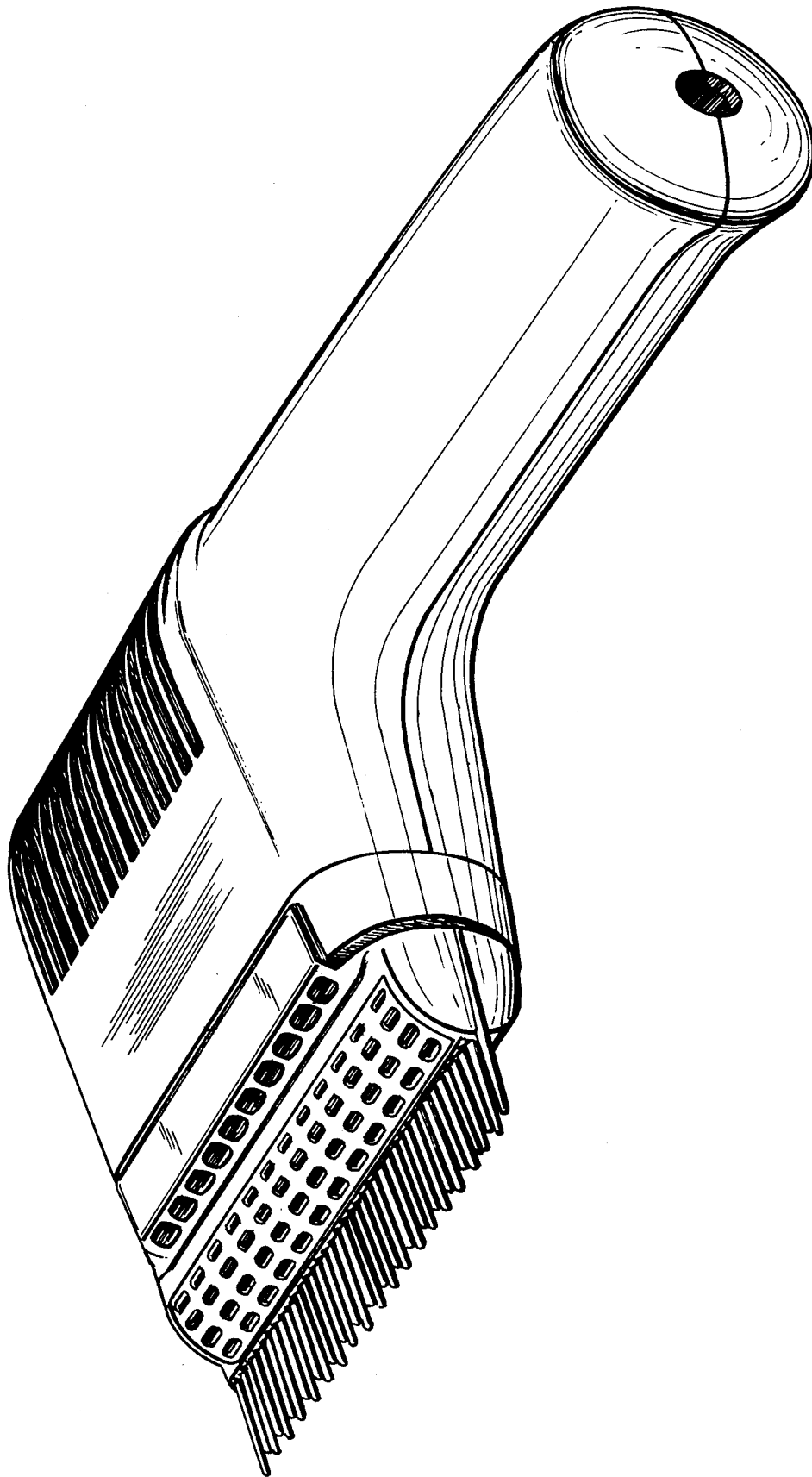
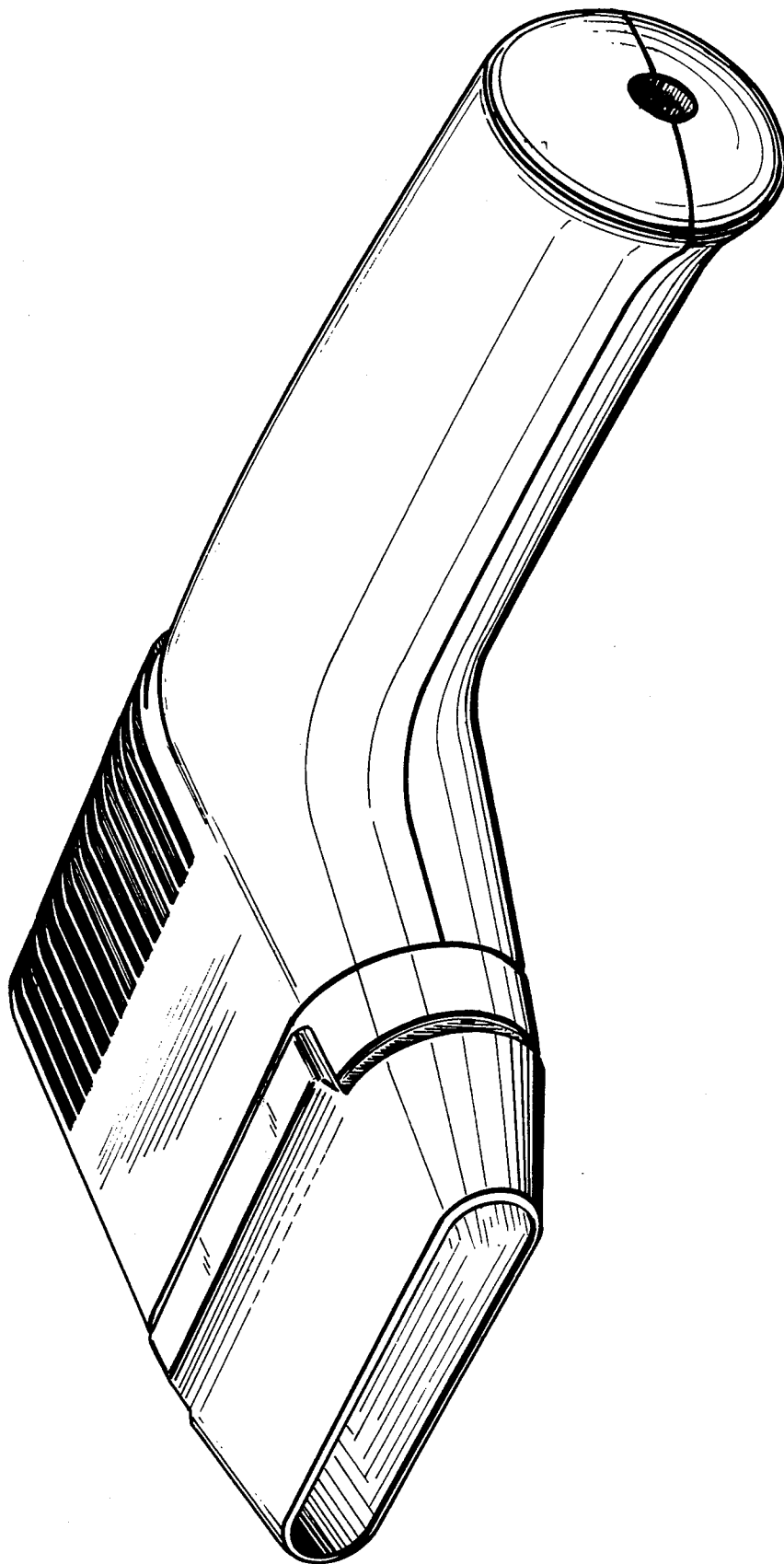


FIG. 8



*FIG. 9*





*FIG. 10*

