

(19) World Intellectual Property Organization  
International Bureau



(43) International Publication Date  
5 February 2009 (05.02.2009)

PCT

(10) International Publication Number  
WO 2009/017761 A2

- (51) International Patent Classification:  
A61F 5/457 (2006.01) A61F 5/44 (2006.01)
- (21) International Application Number:  
PCT/US2008/009211
- (22) International Filing Date: 31 July 2008 (31.07.2008)
- (25) Filing Language: English
- (26) Publication Language: English
- (30) Priority Data:  
60/962,702 1 August 2007 (01.08.2007) US
- (71) Applicant and  
(72) Inventor: TIMMONS, Vicki C. [US/US]; 380 Mickey  
Inn Road, Chambersburg, Pennsylvania 17202 (US).
- (74) Agents: MURATORI, Alfred H. et al.; Litman Law Of-  
fices, Ltd., P.O. Box 15035, Crystal City Station, Arlington,  
Virginia 22215 (US).

- (81) Designated States (unless otherwise indicated, for every  
kind of national protection available): AE, AG, AL, AM,  
AO, AT, AU, AZ, BA, BB, BG, BH, BR, BW, BY, BZ, CA,  
CH, CN, CO, CR, CU, CZ, DE, DK, DM, DO, DZ, EC, EE,  
EG, ES, FI, GB, GD, GE, GH, GM, GT, HN, HR, HU, ID,  
IL, IN, IS, JP, KE, KG, KM, KN, KP, KR, KZ, LA, LC, LK,  
LR, LS, LT, LU, LY, MA, MD, ME, MG, MK, MN, MW,  
MX, MY, MZ, NA, NG, NI, NO, NZ, OM, PG, PH, PL, PT,  
RO, RS, RU, SC, SD, SE, SG, SK, SL, SM, ST, SV, SY, TJ,  
TM, TN, TR, TT, TZ, UA, UG, US, UZ, VC, VN, ZA, ZM,  
ZW.
- (84) Designated States (unless otherwise indicated, for every  
kind of regional protection available): ARIPO (BW, GH,  
GM, KE, LS, MW, MZ, NA, SD, SL, SZ, TZ, UG, ZM,  
ZW), Eurasian (AM, AZ, BY, KG, KZ, MD, RU, TJ, TM),  
European (AT, BE, BG, CH, CY, CZ, DE, DK, EE, ES, FI,  
FR, GB, GR, HR, HU, IE, IS, IT, LT, LU, LV, MC, MT, NL,  
NO, PL, PT, RO, SE, SI, SK, TR), OAPI (BF, BJ, CF, CG,  
CI, CM, GA, GN, GQ, GW, ML, MR, NE, SN, TD, TG).

**Published:**  
— without international search report and to be republished  
upon receipt of that report

(54) Title: URINE COLLECTION BAG SUPPORT BELT

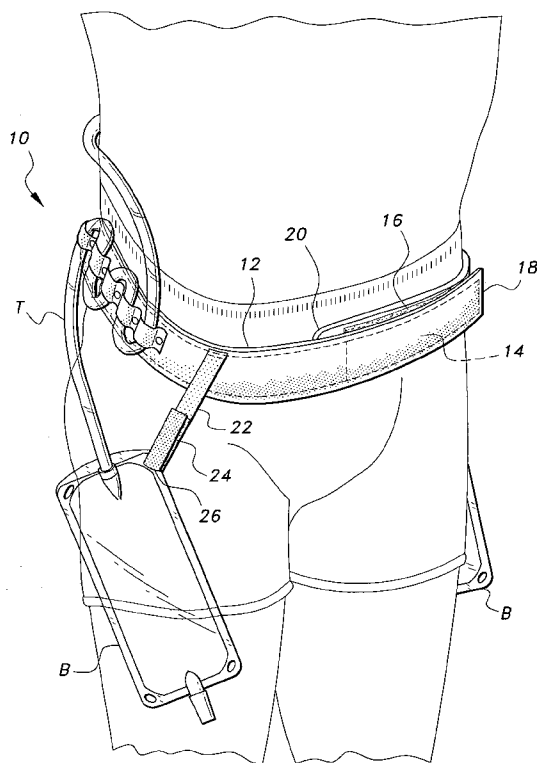


Fig. 1

(57) Abstract: The urine collection bag support belt (10) supports urine bags (B) beneath clothing or when sleeping. The support (10) includes a waist cinch (12) having opposed first and second ends (18, 20) and a central portion. At least one releasable fastener (14, 16) is provided for releasably securing the first end (18) to the second end (20) in order to secure the cinch (12) to the waist. At least one strap (22) is attached to the central portion of the belt (12) and extends downward. The strap (22) is adapted for releasably supporting the urine bag (B). In addition, at least one elongated strip is secured to the belt (12) that supports the tubing (T) connected to the urine collection bag (B) by retaining a serpentine portion of the tubing (T) against the waist cinch (12).

WO 2009/017761 A2

## **URINE COLLECTION BAG SUPPORT BELT**

### **TECHNICAL FIELD**

The present invention relates to devices for supporting medical implants, and particularly to a urine collection bag support belt for supporting a urine collection bag and related tubing, especially the type of bag and tubing used by patients who have undergone a nephrostomy.

### **BACKGROUND ART**

A nephrostomy is a procedure that inserts a tube into the renal pelvis in order to divert the flow of urine from the kidney out through the skin. A nephrostomy may be resorted to in cases of trauma or certain diseases, such as cancer. Since there is no longer sphincter control over the flow of urine, the patient must wear and learn to manage an artificial device for the collection of urine. Typically urine is collected in a bag or pouch.

The patient must support the tubing and collection bag beneath his or her clothing and when sleeping. The patient may feel physically uncomfortable from supporting the weight of the tubing and bag, experience local irritation and skin deterioration if urine comes into contact for prolonged periods, and be subject to lower self-esteem concerning his or her body image.

The necessary tubing and bags are typically secured to the patient by surgical tape and/or rubber straps. However, such tape often causes the wearer irritation on the skin, and removal of the tape may be damaging to the user's skin, particularly around the opening formed through the user's skin adjacent the kidneys. As the bag fills, the bag gets progressively heavier, and it becomes more difficult (and less comfortable) for the tape to support the bag. Thus, a urine collection bag support belt solving the aforementioned problems is desired.

### **DISCLOSURE OF THE INVENTION**

The urine collection bag support belt is a belt for holding a urine collection bag and supporting the attached tubing, particularly in patients who have undergone a nephrostomy. The support for a urine collection bag includes a belt adapted to be worn about the waist of a user, with the belt having opposed first and second ends and a central portion.

At least one releasable fastener is provided for securing the first end of the belt to the second end thereof. The at least one fastener may be, for example, hook and loop type fasteners attached to the respective first and second ends of the belt.

Further, at least one strap is attached to the central portion of the belt and extends  
5 downward therefrom. The strap is adapted for releasably supporting the urine collection bag. Preferably, at least one releasable fastener is provided for releasably attaching the strap(s) to the urine collection bag. The releasable fastener may be, for example, hook and loop fasteners attached to the strap(s). Preferably, a pair of straps are provided, each strap being attached to the belt adjacent a respective one of the first and second ends thereof.

10 In addition, a portion of the collection bag tubing is releasably secured to the belt, preferably by at least one elongated strip secured to the belt. The at least one elongated strip is adapted for at least partially covering the portion of tubing and releasably securing the portion of tubing against the belt. At least one releasable fastener is provided for releasably attaching the at least one elongated strip to the belt. Preferably, a pair of such strips are  
15 provided.

Further, the belt is preferably adjustable in length. The central portion of the belt is adapted to be folded in order to selectively adjust the length thereof, and a clip is preferably provided for clipping the folded material of the central portion in place.

20 These and other features of the present invention will become readily apparent upon further review of the following specification and drawings.

### **BRIEF DESCRIPTION OF THE DRAWINGS**

Fig. 1 is a front, environmental, perspective view of a urine collection bag support belt according to the present invention.

25 Fig. 2 is a rear, environmental, perspective view of the urine collection bag support belt according to the present invention.

Fig. 3 is a bottom view of the urine collection bag support belt according to the present invention.

Fig. 4 is a top view of the urine collection bag support belt according to the present invention.

30 Fig. 5 is an exploded perspective view of the urine collection bag support belt according to the present invention.

Similar reference characters denote corresponding features consistently throughout the attached drawings.

### BEST MODES FOR CARRYING OUT THE INVENTION

The present invention is directed towards a urine collection bag support belt **10**. As best shown in Figs. 1 and 2, the belt **10** supports a urine collection bag **B** and tubing **T** connected to the bag **B**. Such bags are often used by patients who have undergone a nephrostomy.

The belt **10** includes a waist cincture **12** adapted to be worn about the waist of a user, as shown, with the cincture **12** having opposed first and second ends **18**, **20** (as best shown in Figs. 3 and 4) and a central portion **28** extending between the opposing ends **18**, **20**. Cincture **12** is preferably formed from a fabric material selected for both comfort and strength in supporting bag **B**. The fabric is preferably washable and durable, and may incorporate elastic therein, similar to a typical undergarment.

At least one releasable fastener is provided for securing the first end **18** of the cincture **12** to the second end **20** thereof. The at least one fastener may be, for example, mating hook and loop fasteners **14**, **16** attached to the respective first and second ends **18**, **20** of the cincture **12**, as best shown in Figs. 3 and 4. It should be understood that any suitable type of releasable fastener may be used.

Further, at least one strap **22** is secured to the central portion **28** of the cincture **12** and extends downward therefrom. The strap **22** is adapted for releasably supporting the urine collection bag **B**. Preferably, at least one releasable fastener is provided for releasably securing the at least one strap **22** to the urine collection bag **B**. The strap fastener may be, for example, mating hook and loop fasteners **23**, **24** attached to the strap **22**, as best shown in Figs. 3 and 4. It should be understood that any suitable type of releasable fastener may be used. Preferably, a pair of straps **22** are provided, as shown, each strap **22** being attached to the cincture **12** adjacent a respective one of the first and second ends **18**, **20** thereof. As best illustrated in Fig. 2, nephrostomies often result in drainage of urine from both kidneys, thus requiring a pair of urine bags. When so equipped, the pair of straps **22** may be arranged symmetrically on cincture **12** for supporting a respective pair of bags **B**.

In addition, a portion of tubing **T** connected to the urine collection bag **B** is releasably secured to the cincture **12**, preferably by at least one elongated strip **30** attached to the cincture **12**. The strip **30** is adapted for at least partially covering the portion of tubing **T** and

releasably securing the portion of tubing **T** against the cincture **12**. At least one releasable fastener is provided for releasably attaching the strip **30** to the cincture **12**, such as the snap-type fasteners **32** shown in the drawings. It will be noted that strip **30** extends parallel to cincture **12**, and that snap fasteners **32** are spaced apart on the strip **30** and the cincture **12** in such a manner that strip **30** forms loops adapted for securing a sinuous portion of the tubing **T** to the cincture, thereby distributing the load formed by urine filling the bag **B** and relieving stress and discomfort that might otherwise be referred to the point where tubing **T** exits the skin. Preferably, a pair of such tubing support strips **30** are provided, allowing for the retention of a pair of tubing portions, one for each of the pair of bags **B**. It should be understood that any suitable releasable fastener may be utilized for releasably securing the tubing **T** to cincture **12**.

Further, the cincture **12** is preferably adjustable in length. As shown in Figs. 2 and 5, the central portion **28** of the cincture **12** is adapted to be folded (indicated in Fig. 5 by fold **F**) in order to selectively adjust the length thereof, and a clip **34** is preferably provided for releasably clipping the folded material of the central portion **28** in place.

In use, the cincture **12** is secured about the waist of the user through engagement of hook and loop fasteners **14**, **16** on first and second ends **18**, **20**. The length of the cincture **12** may be adjusted to fit securely about the user's waist by folding the central portion **28** and securing the fold **F** with clip **34**. Tubing **T** is then wound through, and secured by, snaps **32** of strips **30**, and bags **B** are secured by straps **22**. Typical urine bags, such as exemplary bags **B**, include openings for receiving straps, and straps **22** are threaded through these openings for supporting bags **B**. Straps **22** are secured to bags **B** by engagement of hook and loop fasteners **23**, **24**. The belt **10** may then be worn comfortably under the user's clothing, and bags **B** may be removed, as necessary, through disengagement of hook and loop fasteners **23**, **24** of straps **22**, and disengagement of snaps **32** of strips **30** to free tubing **T**.

It is to be understood that the present invention is not limited to the embodiments described above, but encompasses any and all embodiments within the scope of the following claims.

**CLAIMS**

1. A urine collection bag support belt, comprising:

a waist cincture adapted to be worn about the waist of a user, the cincture having opposed first and second ends and a central portion extending between the opposed ends;

5 a cincture fastener releasably securing the first end of the cincture to the second end thereof;

at least one bag-supporting strap extending downward from the central portion of the cincture, the strap being adapted for releasably supporting a urine collection bag;

10 at least one tube-supporting strip disposed on the central portion of the cincture, the strip forming spaced apart loops on the central portion of the cincture adapted for supporting tubing connected to the urine collection bag when the tubing is folded in serpentine manner.

2. The urine collection bag support belt as recited in claim 1, wherein said cincture fastener comprises mating hook and loop fasteners attached to the opposing ends of the cincture.

15 3. The urine collection bag support belt as recited in claim 1, further comprising a releasable strap fastener attached to said bag supporting strap adapted for releasably securing said at least one bag-supporting strap to the urine collection bag.

4. The urine collection bag support belt as recited in claim 4, wherein said strap fastener comprises mating hook and loop fasteners.

20 5. The urine collection bag support belt as recited in claim 1, wherein said at least one bag-supporting strap comprises a pair of straps, each said strap being secured to said belt adjacent a respective one of said first and second ends thereof.

25 6. The urine collection bag support belt as recited in claim 1, further comprising a plurality of mating releasable fasteners attached to said strip and to said cincture for forming the loops.

7. The urine collection bag support belt as recited in claim 6, wherein said plurality of mating releasable fasteners comprises mating snap fasteners.

8. The urine collection bag support belt as recited in claim 1, wherein said tube-supporting strip extends parallel to said cincture.

30 9. The urine collection bag support belt as recited in claim 1, wherein said at least one tube-supporting strip comprises a pair of elongated strips.

10. The urine collection bag support belt as recited in claim 1, further comprising means for selectively adjusting said cincture in length.

11. The urine collection bag support belt as recited in claim 10, wherein the central portion of said cincture is foldable to selectively adjust the length of said cincture, said means for selectively adjusting the length of said cincture comprising a clip releasably attachable to the folded central portion of said cincture.

1/4

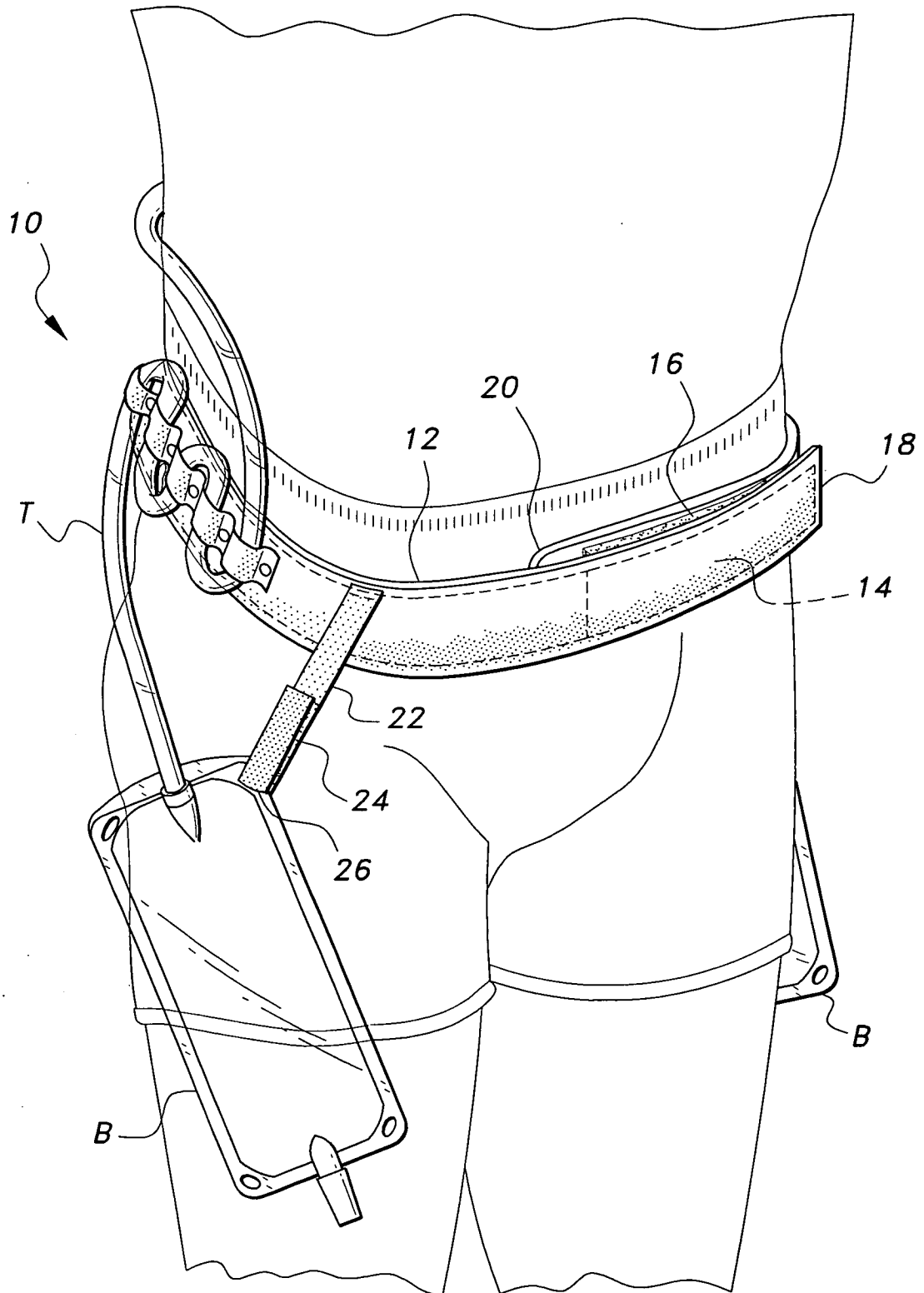


Fig. 1

2/4

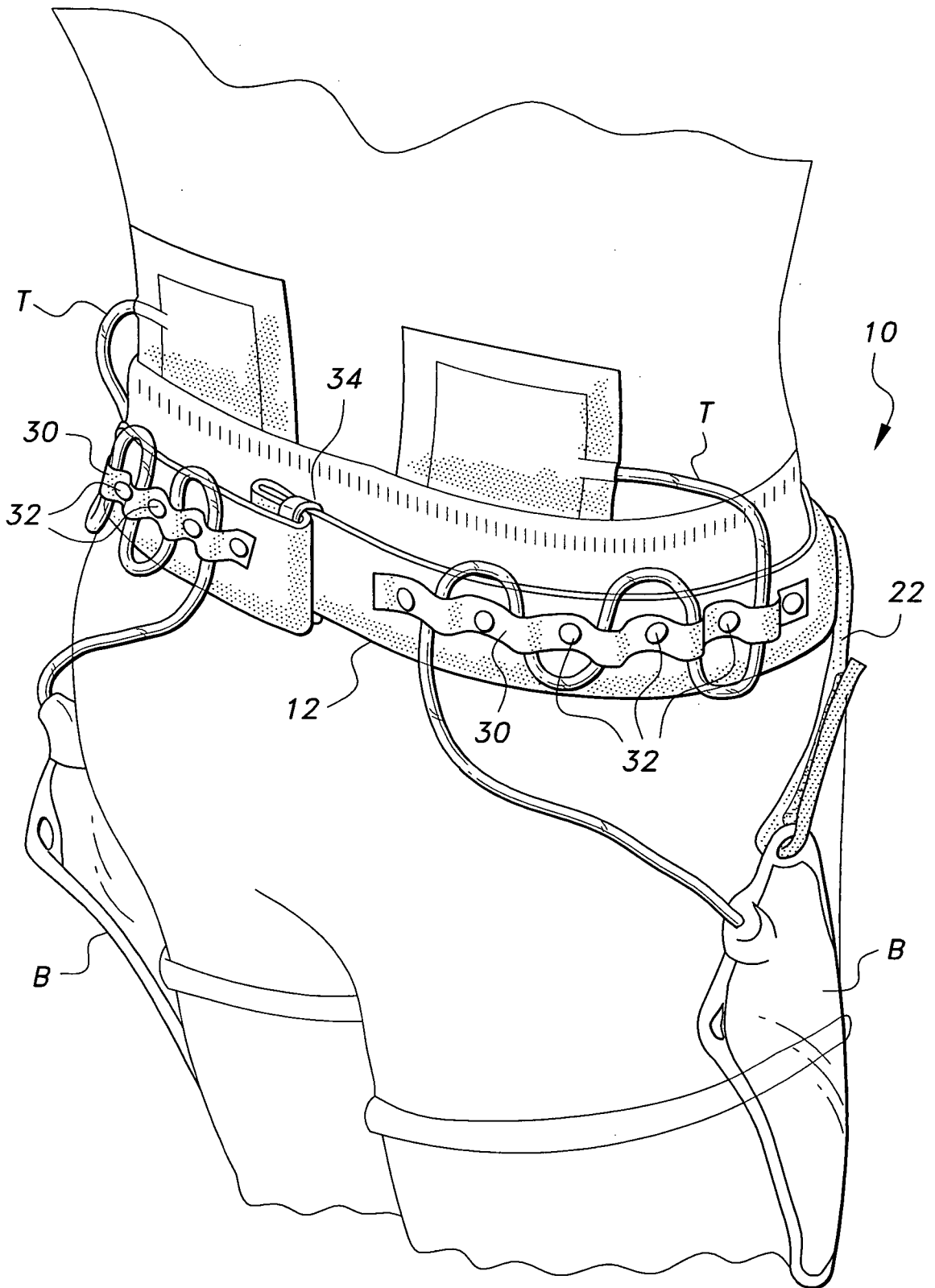
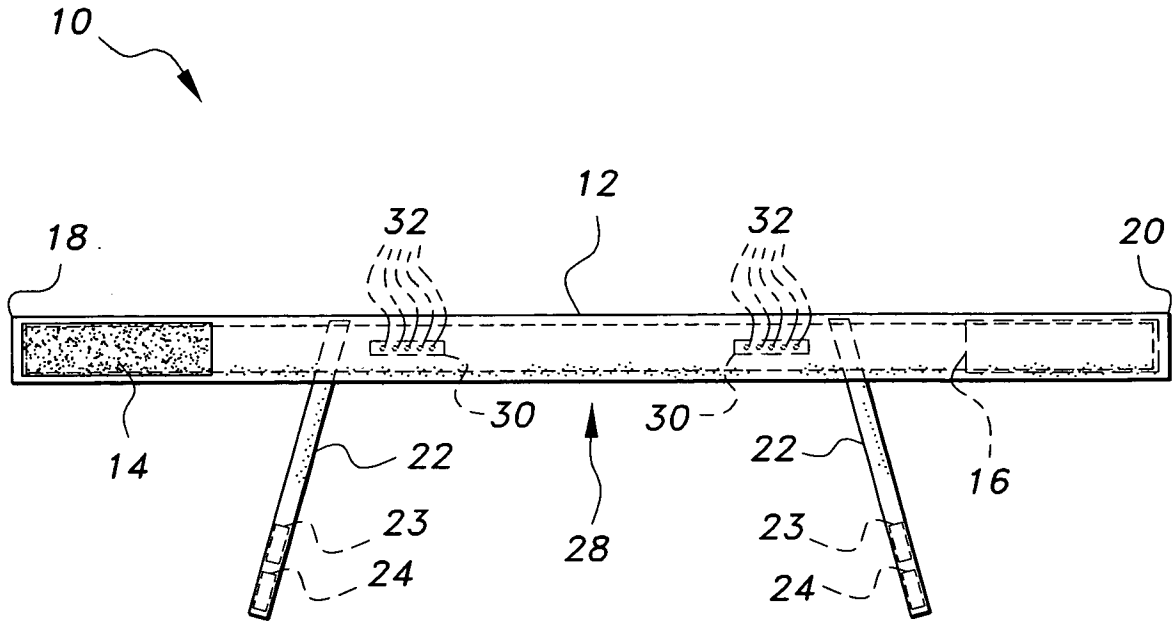
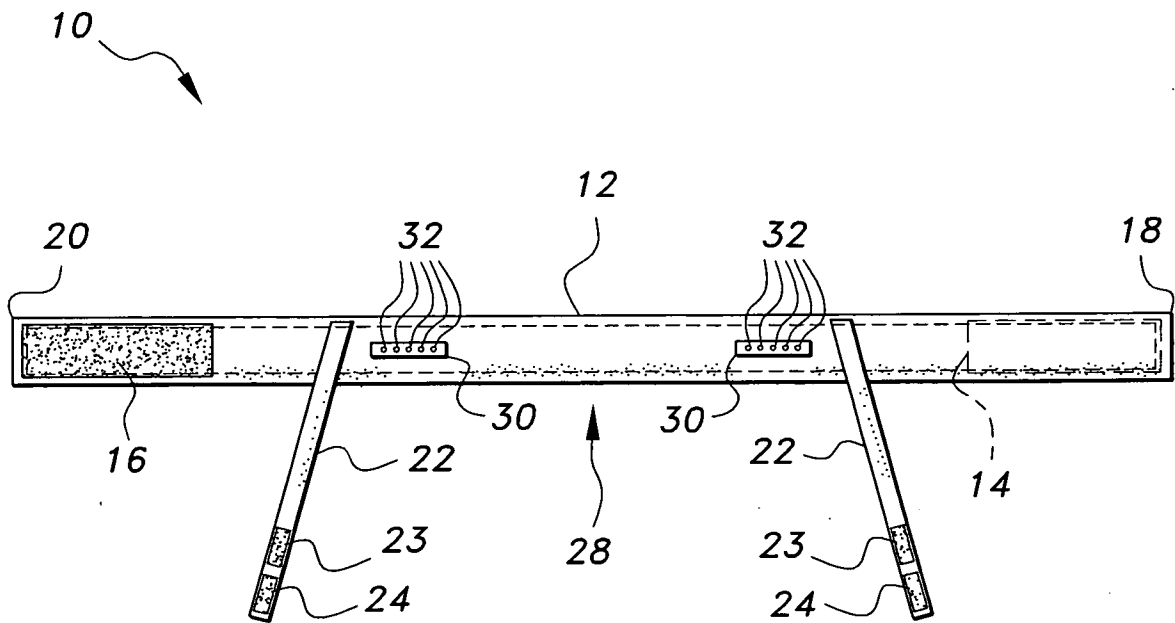


Fig. 2



*Fig. 3*



*Fig. 4*

