

(19) World Intellectual Property Organization
International Bureau



(43) International Publication Date
30 March 2006 (30.03.2006)

PCT

(10) International Publication Number
WO 2006/032082 A3

(51) International Patent Classification:
E05B 51/00 (2006.01) E05B 65/10 (2006.01)
E05B 65/00 (2006.01)

(21) International Application Number:
PCT/AU2005/001431

(22) International Filing Date:
20 September 2005 (20.09.2005)

(25) Filing Language: English

(26) Publication Language: English

(30) Priority Data:
2004905399 20 September 2004 (20.09.2004) AU
2005901637 4 April 2005 (04.04.2005) AU

(71) Applicant (for all designated States except US):
TELEZYGOLGY INC [AU/AU]; Level 12, 92
Pitt Street, Sydney, NSW 2000 (AU).

(72) Inventors; and

(75) Inventors/Applicants (for US only): RUDDUCK, Dick-
ory [AU/US]; 680 North Lake Shore Drive, Unit 1406,
Chicago, IL 60611 (US). BLATTMANN, Lee, David
[AU/US]; 110 13th Street, Wilmette, IL 60091 (US).
RUDDUCK, Grenfell, Saxon [AU/AU]; 27 Sydenham
Road, Norwood, S.A. 5076 (AU).

(74) Agents: CHRYSILIOU, Kerry et al.; Chrysiliou Law,
Level 2, 15-19 Parraween St, Cremorne, NSW 2090 (AU).

(81) Designated States (unless otherwise indicated, for every
kind of national protection available): AE, AG, AL, AM,
AT, AU, AZ, BA, BB, BG, BR, BW, BY, BZ, CA, CH, CN,
CO, CR, CU, CZ, DE, DK, DM, DZ, EC, EE, EG, ES, FI,
GB, GD, GE, GH, GM, HR, HU, ID, IL, IN, IS, JP, KE,
KG, KM, KP, KR, KZ, LC, LK, LR, LS, LT, LU, LV, LY,
MA, MD, MG, MK, MN, MW, MX, MZ, NA, NG, NI, NO,
NZ, OM, PG, PH, PL, PT, RO, RU, SC, SD, SE, SG, SK,
SL, SM, SY, TJ, TM, TN, TR, TT, TZ, UA, UG, US, UZ,
VC, VN, YU, ZA, ZM, ZW.

(84) Designated States (unless otherwise indicated, for every
kind of regional protection available): ARIPO (BW, GH,
GM, KE, LS, MW, MZ, NA, SD, SL, SZ, TZ, UG, ZM,
ZW), Eurasian (AM, AZ, BY, KG, KZ, MD, RU, TJ, TM),
European (AT, BE, BG, CH, CY, CZ, DE, DK, EE, ES, FI,
FR, GB, GR, HU, IE, IS, IT, LT, LU, LV, MC, NL, PL, PT,
RO, SE, SI, SK, TR), OAPI (BF, BJ, CF, CG, CI, CM, GA,
GN, GQ, GW, ML, MR, NE, SN, TD, TG).

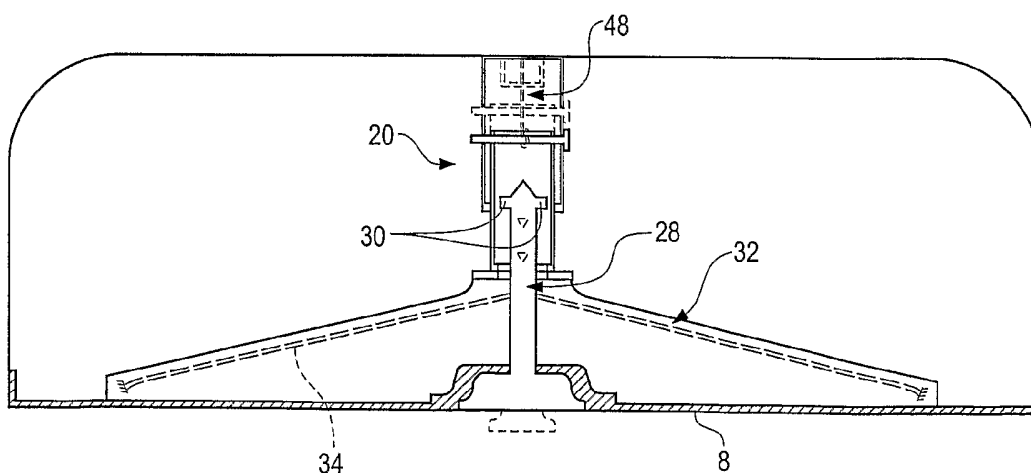
Published:

— with international search report

(88) Date of publication of the international search report:
12 October 2006

For two-letter codes and other abbreviations, refer to the "Guid-
ance Notes on Codes and Abbreviations" appearing at the begin-
ning of each regular issue of the PCT Gazette.

(54) Title: ASSEMBLIES FOR PARTIAL RELEASE



(57) Abstract: The invention provides an assembly (20) for release of an element (8) such as a hatch. The assembly (20) includes first means such as a peg (28) moveable between a first position in which the first means (28) restricts full release of the element (8) and a second position in which the first means (28) does not restrict full release of the element (8), and second means, such as shape memory alloy wire (32) which is adapted to contract when activated to move the first means (28) from the second position to the first position. Optionally, the assembly (20) includes third means, such as shape memory alloy wire (34) which is adapted to contract when activated to move the first means (28) from the first position to the second position. The assembly (20) is useful for testing oxygen release apparatus in aircraft.

WO 2006/032082 A3

INTERNATIONAL SEARCH REPORT

International application No.

PCT/AU2005/001431

A. CLASSIFICATION OF SUBJECT MATTER		
Int. Cl. ⁷ : E05B 51/00, 65/00, 65/10.		
According to International Patent Classification (IPC) or to both national classification and IPC		
B. FIELDS SEARCHED		
Minimum documentation searched (classification system followed by classification symbols) IPC: E05B 51/00, 65/00, 65/10.		
Documentation searched other than minimum documentation to the extent that such documents are included in the fields searched AU IPC: E05B 51/00, 65/00, 65/10.		
Electronic data base consulted during the international search (name of data base and, where practicable, search terms used) DWPI: IPC: E05B 51/00, 65/00, 65/10. (E05B/IC OR E05C/IC) AND (CONTRACT+ OR SHRINK+) OR (SHAPE+ AND MEMORY+) OR (ALLOY+ AND MEMORY+)		
C. DOCUMENTS CONSIDERED TO BE RELEVANT		
Category*	Citation of document, with indication, where appropriate, of the relevant passages	Relevant to claim No.
A	US 6675536 B (WILLIAMS ET AL) 13 January 2004. See entire specification.	
A	CH 682857 A (HALTER) 30 November 1993. See entire specification.	
A	EP 1245762 B (C.R.F. SOCIETA CONSORTILE PER AZIONI) 28 January 2004. See entire specification.	
<input checked="" type="checkbox"/> Further documents are listed in the continuation of Box C <input checked="" type="checkbox"/> See patent family annex		
* Special categories of cited documents:		
"A" document defining the general state of the art which is not considered to be of particular relevance	"T" later document published after the international filing date or priority date and not in conflict with the application but cited to understand the principle or theory underlying the invention	
"E" earlier application or patent but published on or after the international filing date	"X" document of particular relevance; the claimed invention cannot be considered novel or cannot be considered to involve an inventive step when the document is taken alone	
"L" document which may throw doubts on priority claim(s) or which is cited to establish the publication date of another citation or other special reason (as specified)	"Y" document of particular relevance; the claimed invention cannot be considered to involve an inventive step when the document is combined with one or more other such documents, such combination being obvious to a person skilled in the art	
"O" document referring to an oral disclosure, use, exhibition or other means	"&" document member of the same patent family	
"P" document published prior to the international filing date but later than the priority date claimed		
Date of the actual completion of the international search 17 October 2005	Date of mailing of the international search report 24 OCT 2005	
Name and mailing address of the ISA/AU AUSTRALIAN PATENT OFFICE PO BOX 200, WODEN ACT 2606, AUSTRALIA E-mail address: pct@ipaustalia.gov.au Facsimile No. (02) 6285 3929	Authorized officer R. WEBER Telephone No : (02) 6283 2546	

INTERNATIONAL SEARCH REPORT

International application No.

PCT/AU2005/001431

C (Continuation). DOCUMENTS CONSIDERED TO BE RELEVANT		
Category*	Citation of document, with indication, where appropriate, of the relevant passages	Relevant to claim No.
A	DE 2719345 A (R. ALKAN & CIE) 26 January 1978. See entire specification.	
A	DE 3928580 A (AISIN SEIKI K.K.) 5 April 1990. See entire specification.	
A	DE 4142531 A (BERGMEISTER) 24 June 1993. See entire specification.	
A	DE 4203214 C (DRAGERWERK AG) 8 July 1993. See entire specification.	
A	Derwent Abstract Accession No. 2004-53302/49, Class Q12, JP 2004197379 A (MITSUBISHI MOTOR CORPORATION) 15 June 2004. See entire abstract.	

INTERNATIONAL SEARCH REPORT

Information on patent family members

International application No.

PCT/AU2005/001431

This Annex lists the known "A" publication level patent family members relating to the patent documents cited in the above-mentioned international search report. The Australian Patent Office is in no way liable for these particulars which are merely given for the purpose of information.

Patent Document Cited in Search Report		Patent Family Member			
US	6675536	NIL			
CH	682857	NIL			
EP	1245762	BR	200910	US	2002139157
DE	2719345	FR	2359268	GB	1563157
				US	4111473
DE	3928580	JP	2096072	US	5002322
DE	4142531	NIL			
DE	4203214	FR	2688256	GB	2263935

Due to data integration issues this family listing may not include 10 digit Australian applications filed since May 2001.

END OF ANNEX