



US00D715955S

(12) **United States Design Patent**
Hsu

(10) **Patent No.:** **US D715,955 S**

(45) **Date of Patent:** **** Oct. 21, 2014**

(54) **HANDLE FOR A MESSAGE DEVICE**

(71) Applicant: **Ching-Feng Hsu**, New Taipei (TW)

(72) Inventor: **Ching-Feng Hsu**, New Taipei (TW)

(**) Term: **14 Years**

(21) Appl. No.: **29/485,806**

(22) Filed: **Mar. 24, 2014**

(51) **LOC (10) CI.** **28-03**

(52) **U.S. CI.**

CPC **A61H 19/00** (2013.01)

USPC **D24/215**

(58) **Field of Classification Search**

CPC A61H 19/30; A61H 19/32; A61H 19/34;
A61H 19/40; A61H 19/44; A61H 19/50;
A61H 19/00; A61H 2201/0153; A61H
2201/0207; A61H 2201/0263; A61H
2201/0111; A61H 2201/1253; A61H
2205/082; A61H 2205/085; A61H 15/0085
USPC D24/200, 211, 212, 213, 214, 215;
D21/685; 601/19, 27-32, 46, 49, 52,
601/DIG. 12, DIG. 14, DIG. 15, DIG. 16,
601/DIG. 17

See application file for complete search history.

(56) **References Cited**

U.S. PATENT DOCUMENTS

D548,850 S * 8/2007 Gladieux, III D24/214
D607,116 S * 12/2009 Morganstern D24/214

D637,728 S * 5/2011 Sevier et al. D24/211
D638,134 S * 5/2011 Nikitzuk et al. D24/215
D673,688 S * 1/2013 Zeng et al. D24/215
D687,960 S * 8/2013 Zeng et al. D24/215

* cited by examiner

Primary Examiner — Sandra Snapp

(74) *Attorney, Agent, or Firm* — Alan Kamrath; Kamrath IP
Lawfirm, P.A.

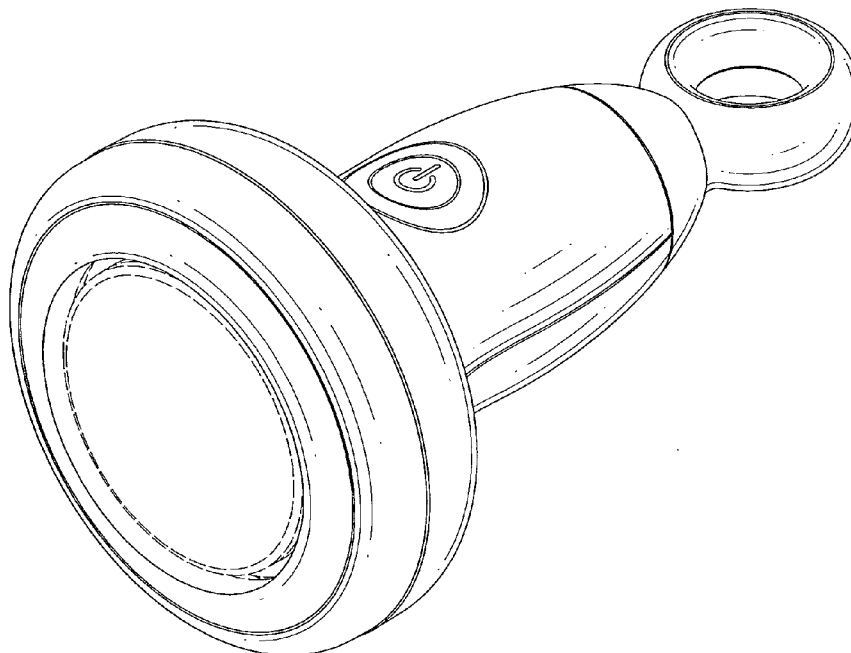
(57) **CLAIM**

The ornamental design for a handle for a massage device, as
shown and described.

DESCRIPTION

FIG. 1 is a perspective view of a handle for a massage device
showing my new design;
FIG. 2 is a front view thereof;
FIG. 3 is a rear view thereof;
FIG. 4 is a left side view thereof;
FIG. 5 is a right side view thereof;
FIG. 6 is a top view thereof;
FIG. 7 is a bottom view thereof;
FIG. 8 is a perspective view showing the handle for a massage
device connected with a massaging head;
FIG. 9 is a perspective view showing the handle for a massage
device connected with another massaging head; and,
FIG. 10 is a perspective view showing the handle for a mas-
sage device connected with still another massaging head.
The broken lines are shown for illustrative purposes only and
form no part of the claimed design.

1 Claim, 10 Drawing Sheets



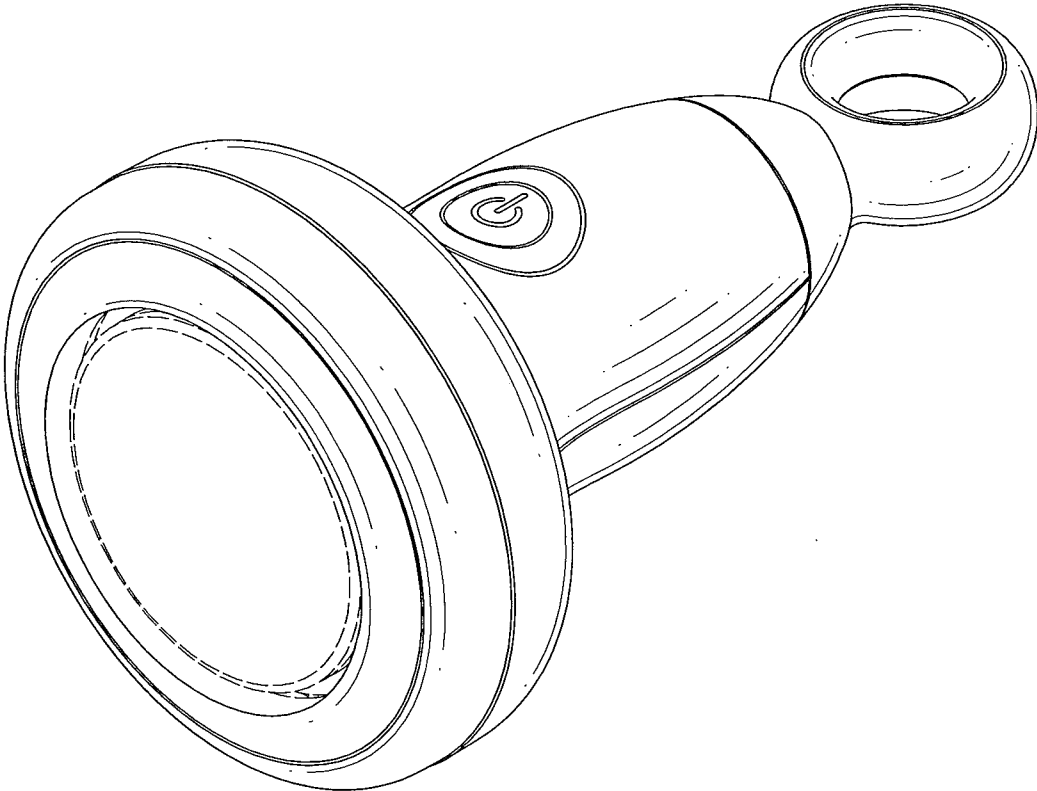


FIG.1

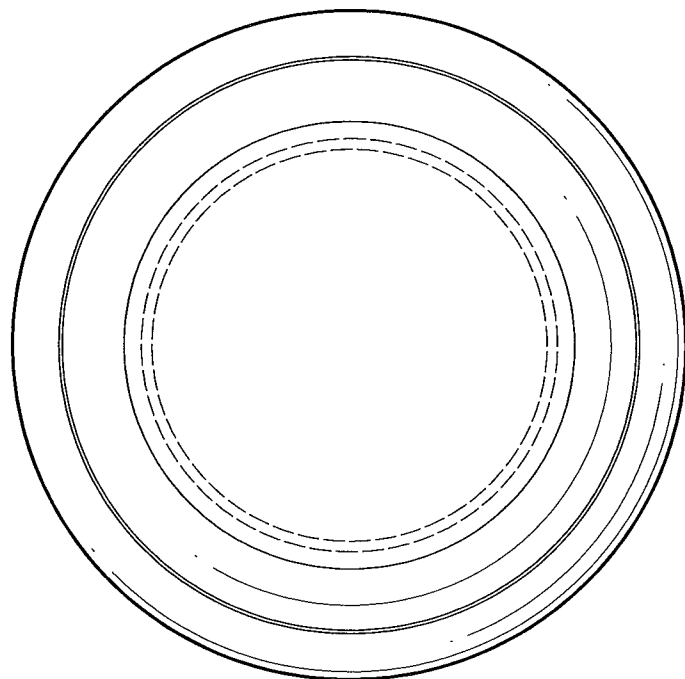


FIG.2

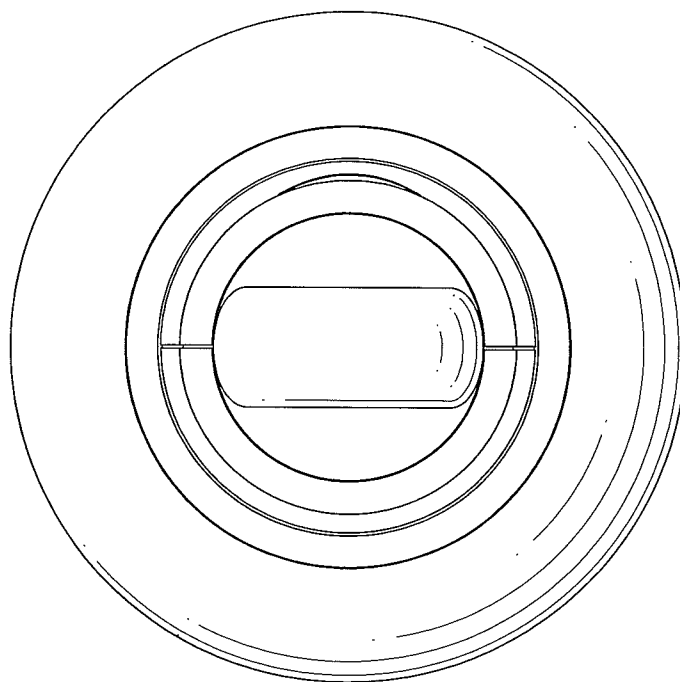


FIG.3

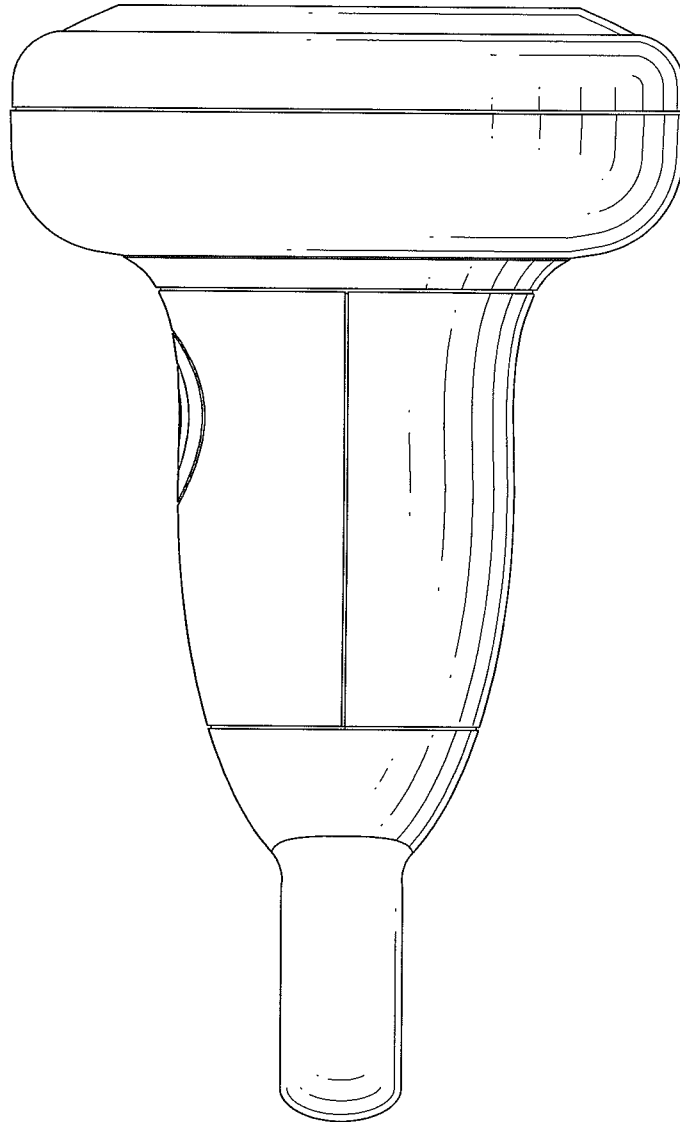


FIG.4

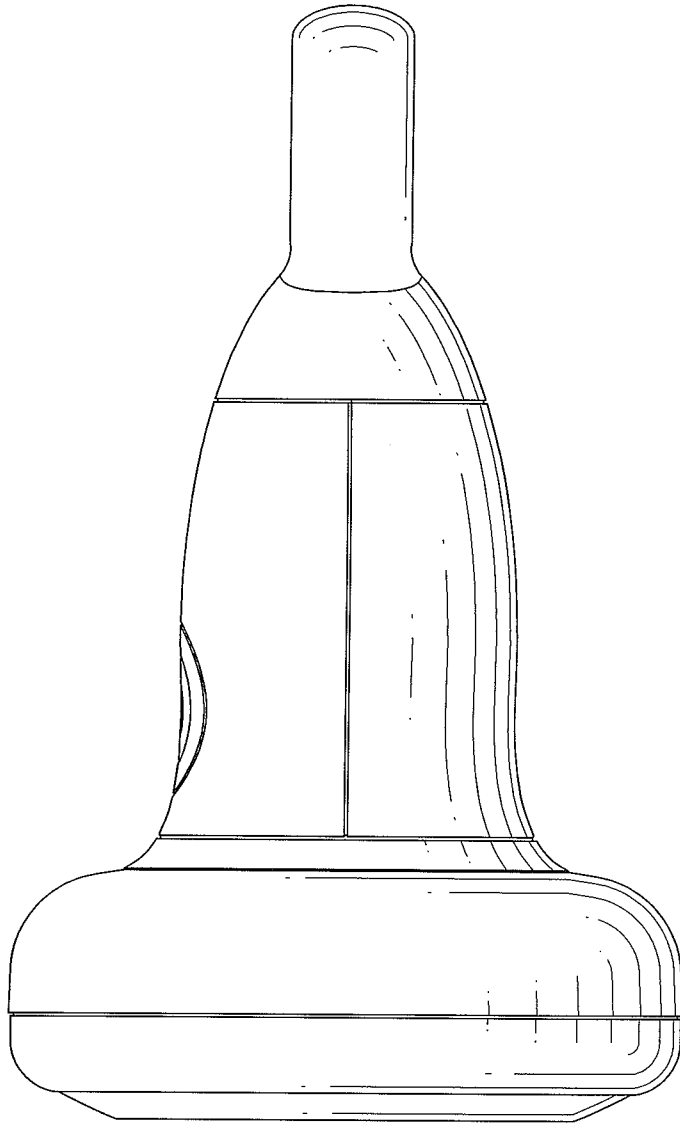


FIG.5

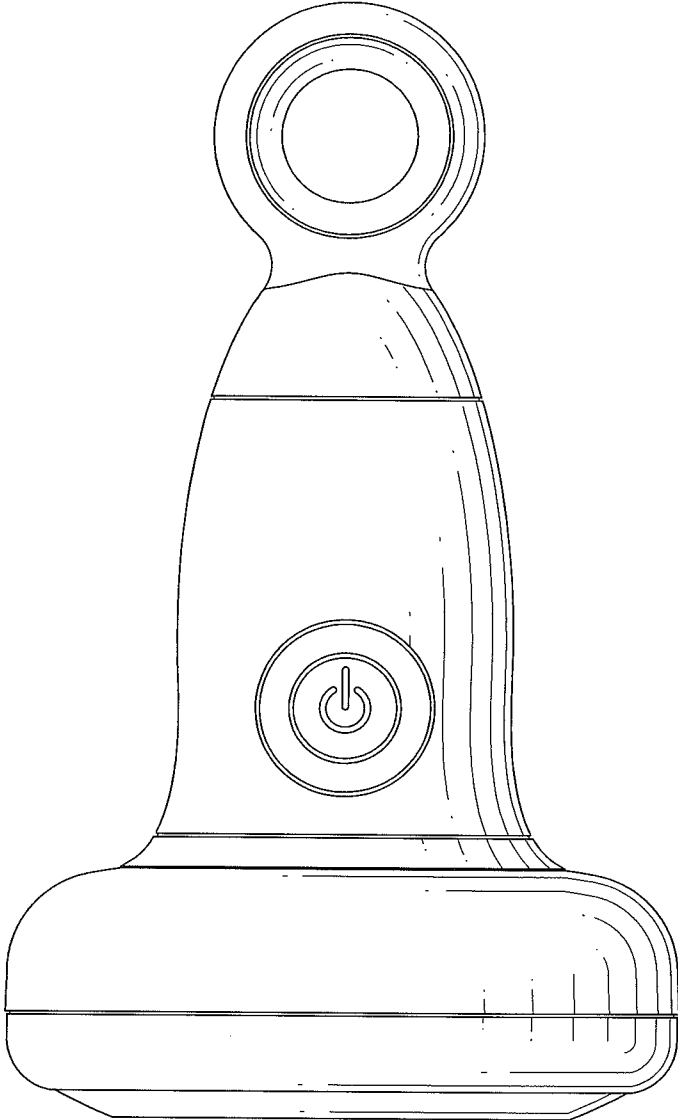


FIG.6

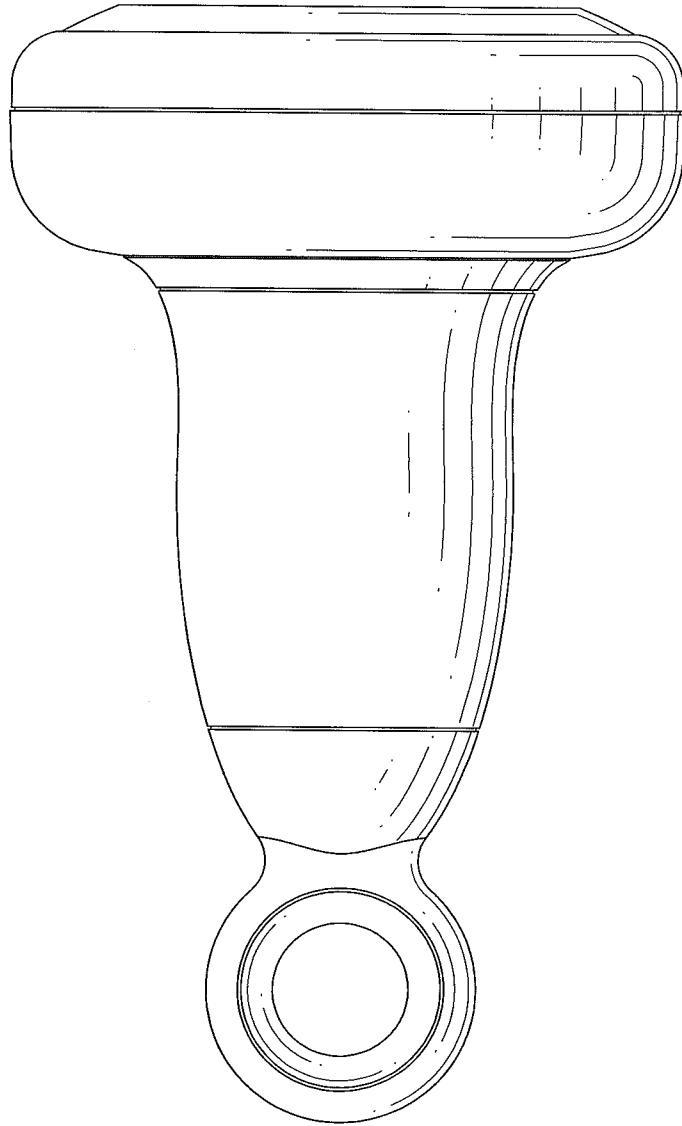


FIG.7

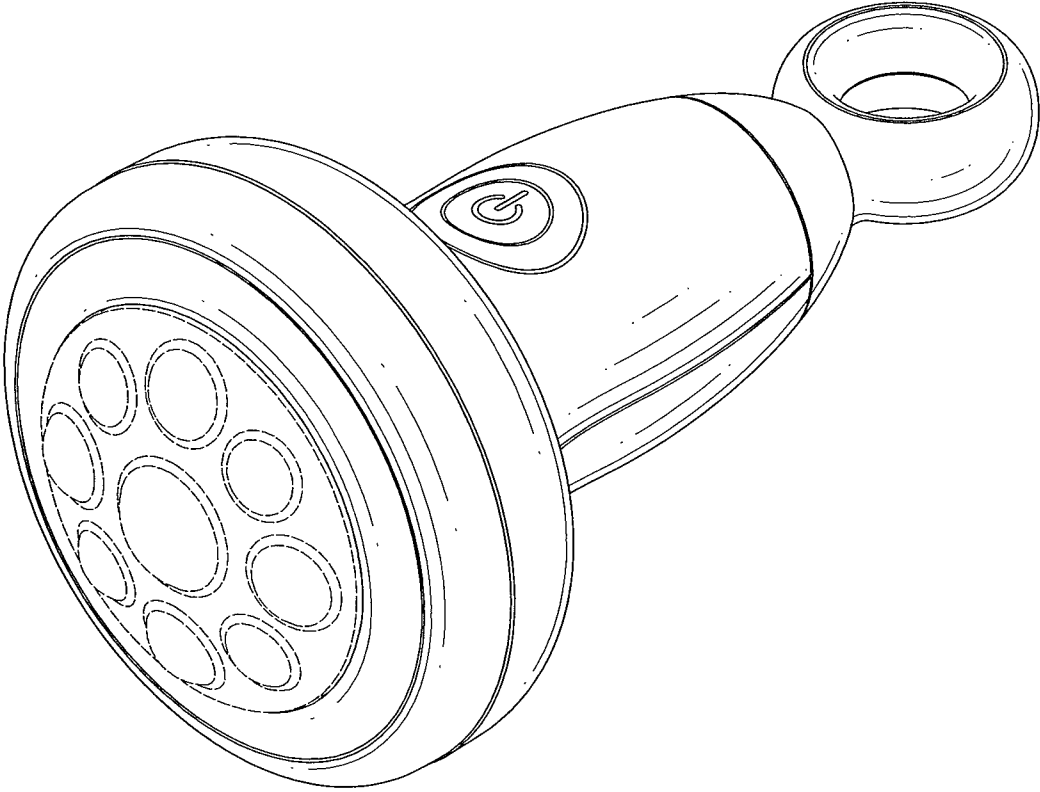


FIG.8

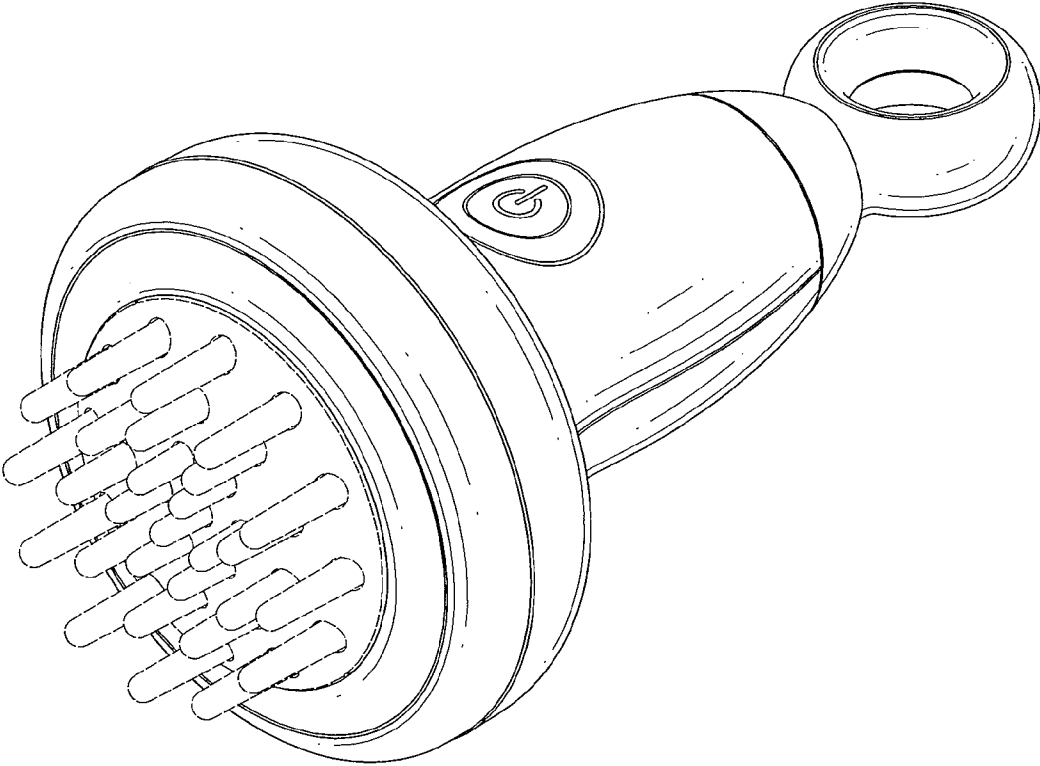


FIG.9

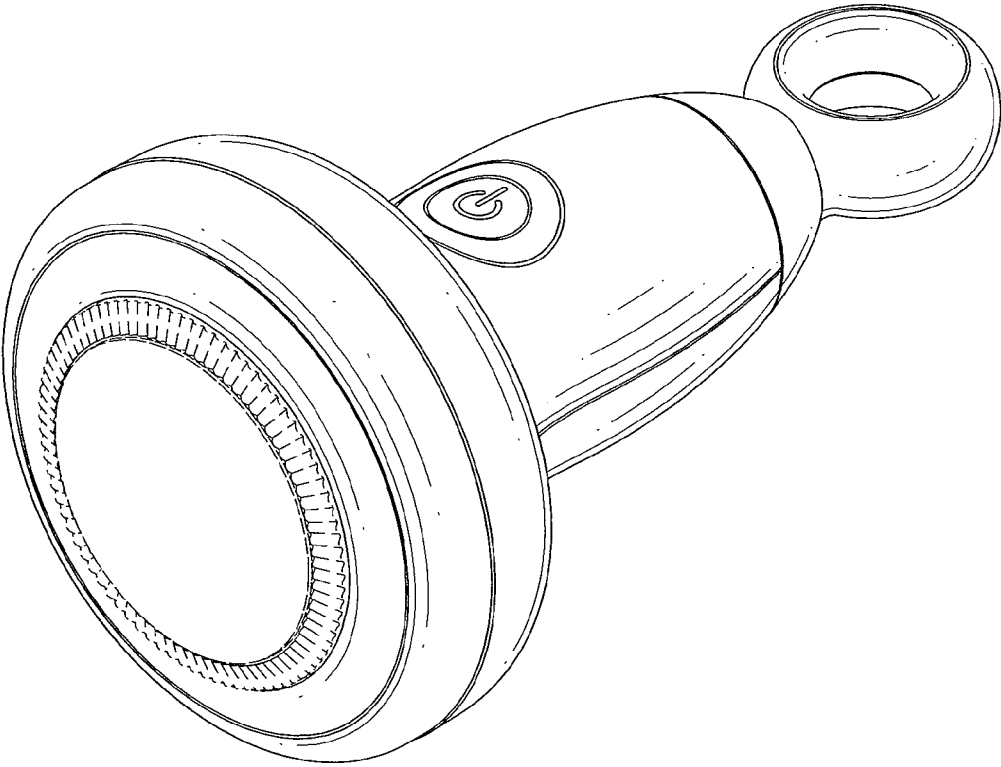


FIG.10