

(12) UK Patent Application (19) GB (11) 2 203 034<sup>(13)</sup> A

(43) Application published 12 Oct 1988

(21) Application No 8705396

(22) Date of filing 7 Mar 1987

(71) Applicant  
**Corrugations Limited**  
  
(Incorporated in United Kingdom)

Units 5, 6 Melford Road, Hazel Grove, Stockport,  
Cheshire

(72) Inventor  
Stuart Alexander Fraser

(74) Agent and/or Address for Service  
McNeight & Lawrence  
Regent House, Heaton Lane, Stockport,  
Cheshire, SK4 1BS

(51) INT CL<sup>4</sup>  
A47B 13/02

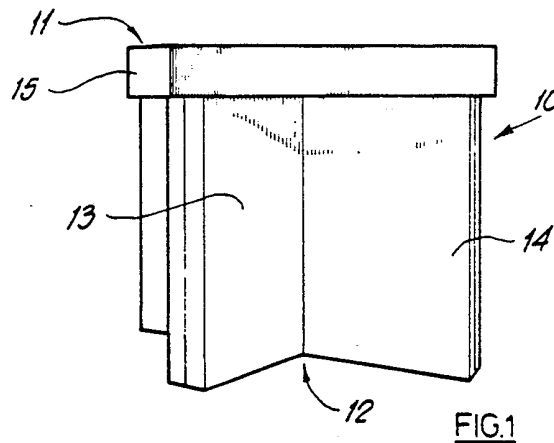
(52) Domestic classification (Edition J):  
A4L 119 306 SJ

(56) Documents cited  
GB A 2113989 GB A 2024614 GB 1365103  
GB 1356191 GB 1298653 GB 1294663  
GB 0295644 WO 86/02415 US 4089560  
US 4046084

(58) Field of search  
A4L  
Selected US specifications from IPC sub-classes  
A47B A47C

(54) Article of furniture

(57) An article of furniture of the kind comprising a flat rectangular top supported on a ground engaging column, such as a table or stool for example, comprises a column of cruciform cross-section having two webs which cross one another, the upper end of the two webs engaging the underside of the rectangular top along the diagonals thereof. The two webs of the column may be separate interengageable pieces, and may be made of paper board faced with a lining of water-resistant material.



1/3

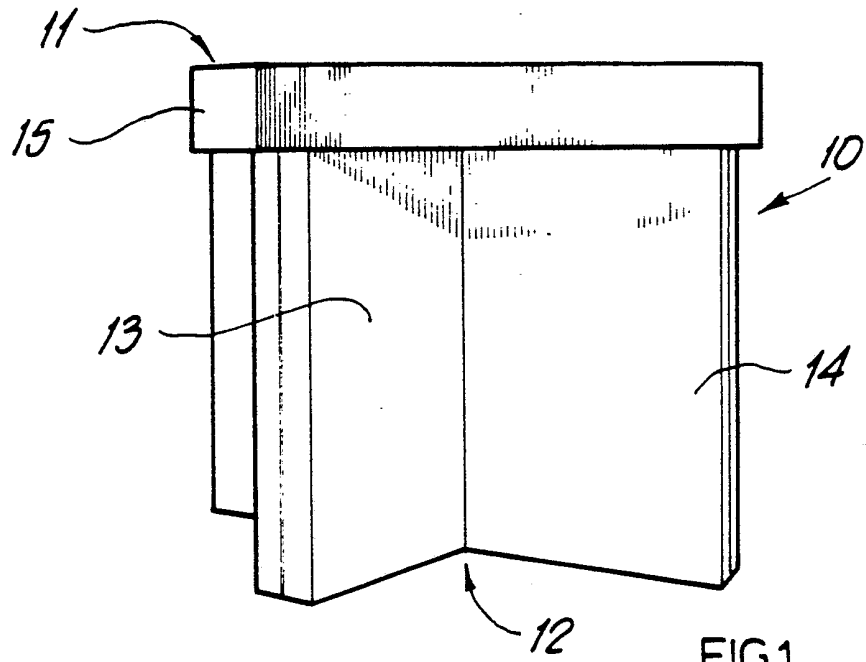


FIG. 1

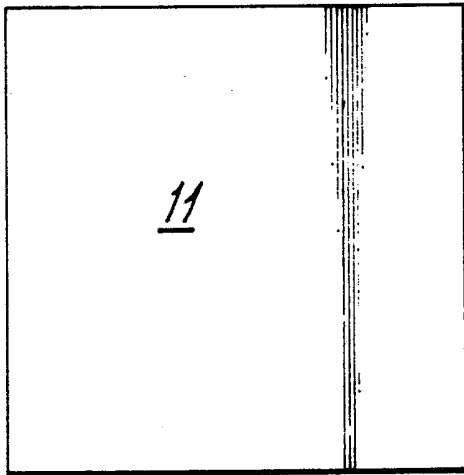


FIG. 2

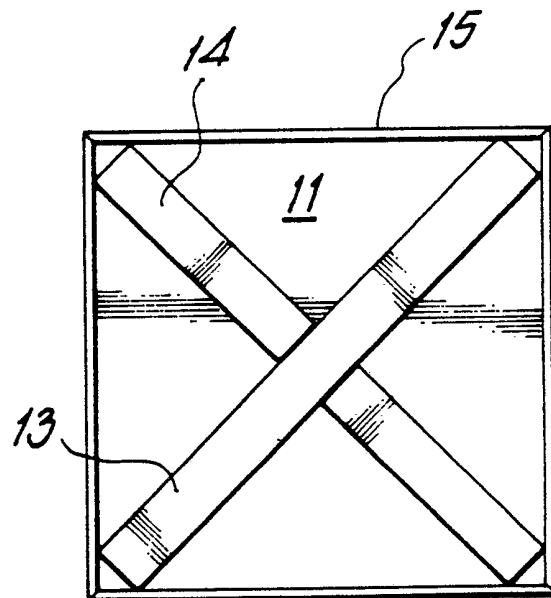
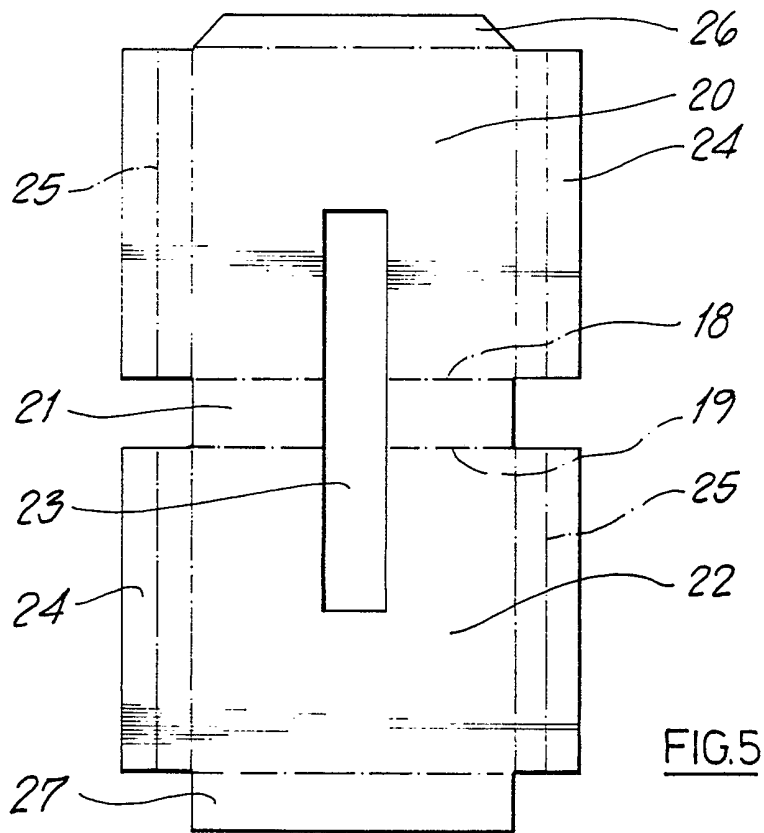
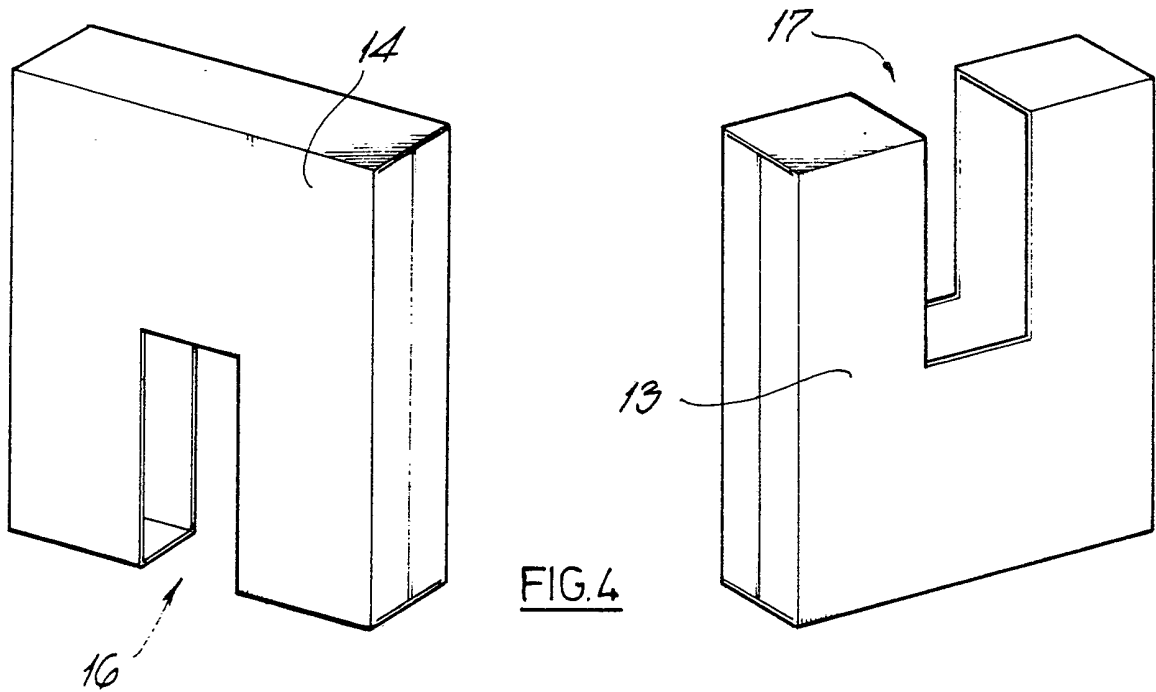


FIG. 3



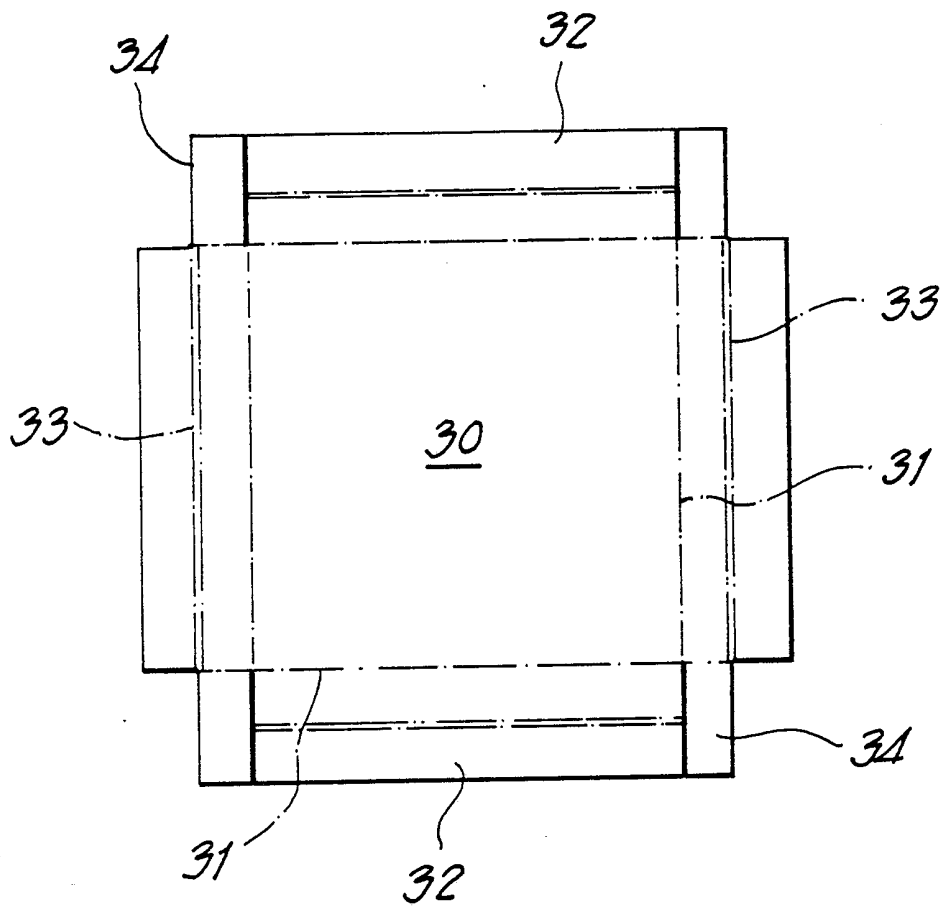


FIG.6

ARTICLE OF FURNITURE

This invention concerns an article of furniture  
of the kind (hereinafter termed of the kind referred to)  
5 comprising a flat rectangular top supported on a ground  
engaging column, such as a table or stool for example.

According to the present invention there is  
provided an article of furniture of the kind referred to  
10 wherein said column is of cruciform cross-section having  
two webs which cross one another, the upper end of the  
two webs engaging the underside of the rectangular top  
along the diagonals thereof.

15 The top may be of square-shape, the webs of the  
column crossing one another at right angles.

The top may be in the form of an inverted tray  
the ends of the webs engaging the inner walls of the  
20 depending flange thereof at the corners of the top.

The two webs of the column may be separate  
inter-engageable pieces.

25 The top and column may be constructed from  
folded blanks of corrugated paper board which may be  
faced with a lining of water resistant material.

The invention will be further apparent from the following description with reference to the several figures of the accompanying drawings, which show, by way of example only, one article of furniture embodying same.

5

Of the drawings;-

Figure 1 shows a perspective view of the article;

10

Figure 2 shows a top plan view of the article;

Figure 3 shows an underneath plan view of the article;

15

Figure 4 shows a perspective view of the two webs from which the column of the article of Figure 1 is formed;

20

Figure 5 shows a blank of corrugated paper board which may be folded to form one of the webs of Figure 4; and

25

Figure 6 shows a blank of corrugated paper board which may be folded to form the top of the article of Figure 1.

Referring now to the Figures 1 - 3 of the drawings, it will be seen that the article of furniture is, depending upon its dimensions, in the form of a table or stool 10 having a rectangular (in this example square) top 11 and ground engaging supporting column 12. As best seen from Figure 3 the column 12 is of cruciform cross-section composed of webs 13 and 14 which cross each other at right angles.

10 The top 11 is in the form of an inverted tray having a depending flange 15 around its perimeter.

Again, as best seen from Figure 3, the upper ends of the webs 13 and 14 engage the underside of the top 11 so as to lie along the diagonals thereof. The outer ends of the webs 13 and 14 engage the inner walls of the flange 15 at the four corners of the top.

Referring now to Figure 4 it will be seen that the two webs 13 and 14 from which the column 12 is formed are separate pieces, one having a slot 16 extending upwardly from its lower edge and the other having a slot 17 extending downwardly from its upper edge enabling them to be inter-engaged to form the column 12. The webs 13 and 14 are of hollow construction and each is formed by folding a blank of corrugated paper board as shown in Figure 5.

The blank comprises a central rectangular portion divided by fold lines 18 and 19 into sections 20, 21 and 22. A rectangular aperture 23 extends through the section 21 and into the sections 20 and 22. On either side of each of the sections 20 and 22 is a flap 24 having a fold line 25 extending longitudinally thereof. Further flaps 26 and 27 extend outwardly from the ends of the sections 20 and 22 respectively.

The blank may be folded about the lines 18 and 19 so that the sections 20 and 22 form the side walls of the web with the aperture 23 forming the slot therein. The flaps 26 and 27 are turned over one another and connected by stapling. The web is completed by tucking the flaps 24 inwardly by folding to form walls joining the sections 20 and 22 over the height of the web.

Turning now to Figure 6 there is shown a further blank of corrugated paper board which may be folded to form the top 11 of the article. This blank comprises a central square section 30 which forms the top surface. Extending from each of its four sides and connected thereto by fold lines 31 are flaps 32 each having two central fold lines 33 parallel with the adjacent fold line 31. On one opposite pair of flaps 32 are outwardly extending tabs 34 on each end of the portion thereof, on the inner side of the fold lines 33.



To form the top 11 the flaps 32 having the tabs  
34 are folded inwardly about lines 31 and 33 and the  
tabs 34 are turned inwardly to form a tray-like  
assembly. The remaining flaps 32 are then folded over  
5 the tabs 34 to fix the structure by jamming action.

The webs 13 and 14 may be inter-engaged to form  
the column 12 and one end of this may be pushed, again  
with a jamming action, into the underside of the top 11  
10 to form the completed article which is capable of  
carrying a substantial weight without deformation.

The outer surfaces of the corrugated paper board  
blanks may be covered with a waterproof skin to enable  
15 use of the articles out of doors.

Sets of articles comprising a table and four  
stools may be provided and dimensioned so as to enable  
the stools to be tucked underneath the four sides of the  
20 table with half of the tops of the stools covered by the  
table top and the other halves projecting outwardly from  
the table top.

It will be appreciated that it is not intended  
25 to limit the invention to the above example only, many  
variations, such as might readily occur to one skilled  
in the art, being possible.

CLAIMS

1. An article of furniture of the kind referred to, wherein said column is of cruciform cross-section having  
5 two webs which cross one another, the upper end of the two webs engaging the underside of the rectangular top along the diagonals thereof.
  
2. An article of furniture according to claim 1,  
10 wherein the top is of square-shape, the webs of the column crossing one another at right angles.
  
3. An article of furniture according to claim 1 or claim 2, wherein the top is in the form of an inverted  
15 tray the ends of the webs engaging the inner walls of the depending flange thereof at the corners of the top.
  
4. An article of furniture according to any one of claims 1 to 3, wherein the two webs of the column are  
20 separate inter-engageable pieces.
  
5. An article of furniture according to claim 4, wherein each said piece is of general U-shape.
  
- 25 6. An article of furniture according to any preceding claim, wherein the top and column are constructed from folded blanks of corrugated paper board.

7. An article of furniture according to claim 6, wherein said paper board is faced with a lining of water resistant material.

5 8. A set of articles of furniture, wherein each said article is in accordance with any preceding claim, said set comprising a table and four stools.

9. A set of articles of furniture according to  
10 claim 8, wherein the table and stools are so dimensioned as to enable the stools to be tucked underneath the sides of the table.

10. A set of articles of furniture according to  
15 claim 9, wherein when the stools are tucked underneath the four sides of the table half of the tops of the stools are covered by the table top, the other halves projecting outwardly from the table top.