



(51) International Patent Classification:

H01R 13/6583 (2011.01) H01R 13/516 (2006.01)
H01R 13/405 (2006.01) H01R 43/24 (2006.01)

(21) International Application Number:

PCT/US2012/043583

(22) International Filing Date:

21 June 2012 (21.06.2012)

(25) Filing Language:

English

(26) Publication Language:

English

(30) Priority Data:

61/500,592 23 June 2011 (23.06.2011) US
13/270,202 10 October 2011 (10.10.2011) US
13/412,587 5 March 2012 (05.03.2012) US

(71) Applicant (for all designated States except US): **APPLE INC.** [US/US]; 1 Infinite Loop, Cupertino, California 95014 (US).

(72) Inventors; and

(75) Inventors/Applicants (for US only): **SCRITZKY, Robert** [US/US]; 1 Infinite Loop, MS 306-3DE, Cupertino, Cali-

fornia 95014 (US). **FUNAMURA, Joshua R.** [US/US]; 1 Infinite Loop, MS 306-3DE, Cupertino, California 95014 (US). **ANASTAS, George V.** [US/US]; 1 Infinite Loop, MS 306-3DE, Cupertino, California 95014 (US). **RAFF, John** [US/US]; 1 Infinite Loop, MS 305-1PD, Cupertino, California 95014 (US). **JULES, Henry** [US/US]; 1 Infinite Loop, MS 305-2PD, Cupertino, California 95014 (US). **GIBBS, Kevin** [US/US]; 1 Infinite Loop, MS 305-2PD, Cupertino, California 95014 (US). **PETERSON, Carl** [US/US]; 1 Infinite Loop, MS 305-2PD, Cupertino, California 95014 (US).

(74) Agents: **ZIGMANT, J. Matthew** et al.; Kilpatrick Townsend & Stockton LLP, Two Embarcadero Center, 8th Floor, San Francisco, California 94111 (US).

(81) Designated States (unless otherwise indicated, for every kind of national protection available): AE, AG, AL, AM, AO, AT, AU, AZ, BA, BB, BG, BH, BR, BW, BY, BZ, CA, CH, CL, CN, CO, CR, CU, CZ, DE, DK, DM, DO, DZ, EC, EE, EG, ES, FI, GB, GD, GE, GH, GM, GT, HN, HR, HU, ID, IL, IN, IS, JP, KE, KG, KM, KN, KP, KR, KZ, LA, LC, LK, LR, LS, LT, LU, LY, MA, MD, ME, MG, MK, MN, MW, MX, MY, MZ, NA, NG, NI, NO, NZ,

[Continued on next page]

(54) Title: SIMPLIFIED CONNECTOR RECEPTACLES

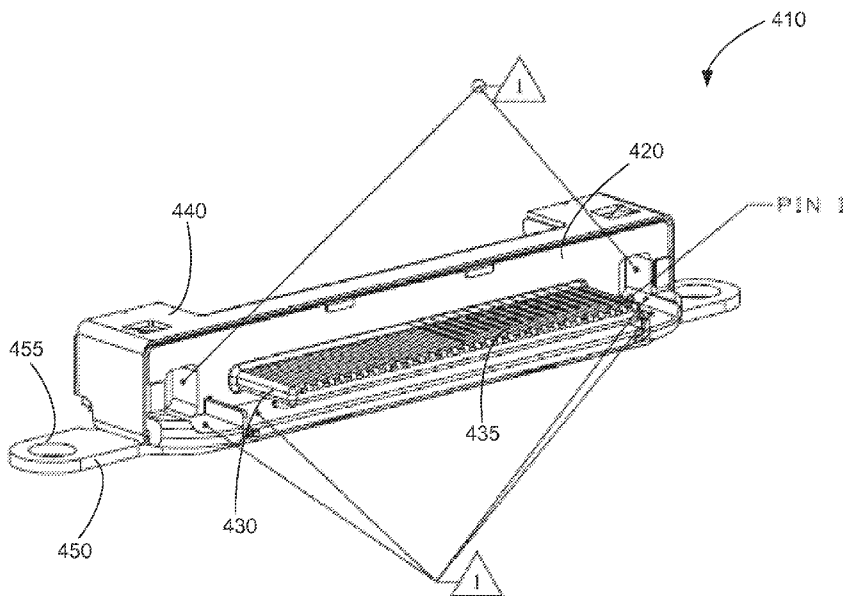


Figure 4

(57) Abstract: Connector receptacles that may be used in a variety of applications, may have a desirable aesthetic appearance, may be durable and reliable, and may be manufactured in a simplified manner. One example may provide a receptacle that may be used in a number of different devices to avoid having to redesign a receptacle for different devices. Another example may maintain a desirable appearance by reducing the chance of marring or functional damage during insertions of an insert.





OM, PE, PG, PH, PL, PT, QA, RO, RS, RU, RW, SC, SD, SE, SG, SK, SL, SM, ST, SV, SY, TH, TJ, TM, TN, TR, TT, TZ, UA, UG, US, UZ, VC, VN, ZA, ZM, ZW.

(84) Designated States (unless otherwise indicated, for every kind of regional protection available): ARIPO (BW, GH, GM, KE, LR, LS, MW, MZ, NA, RW, SD, SL, SZ, TZ, UG, ZM, ZW), Eurasian (AM, AZ, BY, KG, KZ, RU, TJ, TM), European (AL, AT, BE, BG, CH, CY, CZ, DE, DK, EE, ES, FI, FR, GB, GR, HR, HU, IE, IS, IT, LT, LU, LV, MC, MK, MT, NL, NO, PL, PT, RO, RS, SE, SI, SK, SM, TR), OAPI (BF, BJ, CF, CG, CI, CM, GA, GN, GQ, GW, ML, MR, NE, SN, TD, TG).

Published:

- with international search report (Art. 21(3))
- before the expiration of the time limit for amending the claims and to be republished in the event of receipt of amendments (Rule 48.2(h))

(88) Date of publication of the international search report:

14 March 2013

INTERNATIONAL SEARCH REPORT

International application No
PCT/US2012/043583

A. CLASSIFICATION OF SUBJECT MATTER
 INV. H01R13/6583 H01R13/405 H01R13/516
 ADD. H01R43/24

According to International Patent Classification (IPC) or to both national classification and IPC

B. FIELDS SEARCHED

Minimum documentation searched (classification system followed by classification symbols)
 H01R

Documentation searched other than minimum documentation to the extent that such documents are included in the fields searched

Electronic data base consulted during the international search (name of data base and, where practicable, search terms used)

EPO-Internal, WPI Data

C. DOCUMENTS CONSIDERED TO BE RELEVANT

Category*	Citation of document, with indication, where appropriate, of the relevant passages	Relevant to claim No.
X	US 2011/021088 A1 (CHEN KUAN-YU [US] ET AL) 27 January 2011 (2011-01-27)	1,2
Y	figures 1,6,7,9 paragraphs [0027], [0031]	3-8, 29-33
Y	US 7 540 786 B1 (KOSER JAMES [US] ET AL) 2 June 2009 (2009-06-02) figure 2	3
X	US 2005/026501 A1 (ZHAN HUI [CN] ET AL) 3 February 2005 (2005-02-03) figures 1-4	1
Y	US 7 901 221 B1 (LI CHRIS T [US] ET AL) 8 March 2011 (2011-03-08) figures 1-6	5,6
	----- -/--	

Further documents are listed in the continuation of Box C.

See patent family annex.

* Special categories of cited documents :

- "A" document defining the general state of the art which is not considered to be of particular relevance
- "E" earlier application or patent but published on or after the international filing date
- "L" document which may throw doubts on priority claim(s) or which is cited to establish the publication date of another citation or other special reason (as specified)
- "O" document referring to an oral disclosure, use, exhibition or other means
- "P" document published prior to the international filing date but later than the priority date claimed

"T" later document published after the international filing date or priority date and not in conflict with the application but cited to understand the principle or theory underlying the invention

"X" document of particular relevance; the claimed invention cannot be considered novel or cannot be considered to involve an inventive step when the document is taken alone

"Y" document of particular relevance; the claimed invention cannot be considered to involve an inventive step when the document is combined with one or more other such documents, such combination being obvious to a person skilled in the art

"&" document member of the same patent family

Date of the actual completion of the international search

8 January 2013

Date of mailing of the international search report

17/01/2013

Name and mailing address of the ISA/
 European Patent Office, P.B. 5818 Patentlaan 2
 NL - 2280 HV Rijswijk
 Tel. (+31-70) 340-2040,
 Fax: (+31-70) 340-3016

Authorized officer

Hugueny, Bertrand

INTERNATIONAL SEARCH REPORT

International application No

PCT/US2012/043583

C(Continuation). DOCUMENTS CONSIDERED TO BE RELEVANT

Category*	Citation of document, with indication, where appropriate, of the relevant passages	Relevant to claim No.
Y	US 2010/093221 A1 (MAO YU-HUA [CN] ET AL) 15 April 2010 (2010-04-15) paragraph [0030]; figure 4 -----	4
Y	WO 2006/014541 A1 (MOLEX INC [US]) 9 February 2006 (2006-02-09) figure 4 -----	7,8
Y	US 6 074 225 A (WU KUN-TSAN [TW] ET AL) 13 June 2000 (2000-06-13) figures 1-3,8 column 2, lines 1-4 -----	29
Y	US 2009/067141 A1 (DABOV TEODOR [US] ET AL) 12 March 2009 (2009-03-12)	33
A	paragraph [0052] -----	4
Y	US 2010/087077 A1 (CHIANG JUI-TU [TW] ET AL) 8 April 2010 (2010-04-08) figure 6 -----	29-32

INTERNATIONAL SEARCH REPORT

International application No.
PCT/US2012/043583

Box No. II Observations where certain claims were found unsearchable (Continuation of item 2 of first sheet)

This international search report has not been established in respect of certain claims under Article 17(2)(a) for the following reasons:

1. Claims Nos.:
because they relate to subject matter not required to be searched by this Authority, namely:

2. Claims Nos.:
because they relate to parts of the international application that do not comply with the prescribed requirements to such an extent that no meaningful international search can be carried out, specifically:

3. Claims Nos.:
because they are dependent claims and are not drafted in accordance with the second and third sentences of Rule 6.4(a).

Box No. III Observations where unity of invention is lacking (Continuation of item 3 of first sheet)

This International Searching Authority found multiple inventions in this international application, as follows:

see additional sheet

1. As all required additional search fees were timely paid by the applicant, this international search report covers all searchable claims.
2. As all searchable claims could be searched without effort justifying an additional fees, this Authority did not invite payment of additional fees.
3. As only some of the required additional search fees were timely paid by the applicant, this international search report covers only those claims for which fees were paid, specifically claims Nos.:

1-8, 29-33
4. No required additional search fees were timely paid by the applicant. Consequently, this international search report is restricted to the invention first mentioned in the claims; it is covered by claims Nos.:

Remark on Protest

- The additional search fees were accompanied by the applicant's protest and, where applicable, the payment of a protest fee.
- The additional search fees were accompanied by the applicant's protest but the applicable protest fee was not paid within the time limit specified in the invitation.
- No protest accompanied the payment of additional search fees.

FURTHER INFORMATION CONTINUED FROM PCT/ISA/ 210

This International Searching Authority found multiple (groups of) inventions in this international application, as follows:

1. claims: 1-8

A connector receptacle usable in different devices including features reducing wear and marring of counterpart even after successive mating.

2. claims: 9-16

A method for producing a sealed and mechanically reliable connector including insert molding of the contacts.

3. claims: 17-24

An electronic device comprising a device enclosure including an improved connector having technical features reducing noise, cross-talk and signal integrity.

4. claims: 25-28

A receptacle connector including resilient EMI tabs.

5. claims: 29-33

An electronic device comprising a device enclosure including a receptacle connector and latching members.

INTERNATIONAL SEARCH REPORT

Information on patent family members

International application No

PCT/US2012/043583

Patent document cited in search report	Publication date	Patent family member(s)	Publication date	
US 2011021088	A1	27-01-2011	CN 101964470 A	02-02-2011
			JP 2011029174 A	10-02-2011
			TW 201112540 A	01-04-2011
			US 2011021088 A1	27-01-2011

US 7540786	B1	02-06-2009	CN 101562290 A	21-10-2009
			JP 5032519 B2	26-09-2012
			JP 2009259222 A	05-11-2009
			TW 200945704 A	01-11-2009
			US 7540786 B1	02-06-2009

US 2005026501	A1	03-02-2005	TW M249301 U	01-11-2004
			US 2005026501 A1	03-02-2005

US 7901221	B1	08-03-2011	NONE	

US 2010093221	A1	15-04-2010	CN 201323329 Y	07-10-2009
			US 2010093221 A1	15-04-2010

WO 2006014541	A1	09-02-2006	CN 101015095 A	08-08-2007
			EP 1774624 A1	18-04-2007
			US 2006040556 A1	23-02-2006
			US 2008188128 A1	07-08-2008
			WO 2006014541 A1	09-02-2006

US 6074225	A	13-06-2000	NONE	

US 2009067141	A1	12-03-2009	NONE	

US 2010087077	A1	08-04-2010	TW M357050 U	11-05-2009
			US 2010087077 A1	08-04-2010
