

(19) World Intellectual Property Organization
International Bureau



(43) International Publication Date
23 August 2007 (23.08.2007)

PCT

(10) International Publication Number
WO 2007/095037 A3

(51) International Patent Classification:
G02B 6/44 (2006.01)

Craig, M. [US/US]; 1482 Mallard Place, Waconia, MN 55387 (US).

(21) International Application Number:
PCT/US2007/003298

(74) Agent: BRUESS, Steven, C.; Merchant & Gould P.c., P.o. Box 2903, Minneapolis, MN 55402-0903 (US).

(22) International Filing Date: 7 February 2007 (07.02.2007)

(81) Designated States (unless otherwise indicated, for every kind of national protection available): AE, AG, AL, AM, AT, AU, AZ, BA, BB, BG, BR, BW, BY, BZ, CA, CH, CN, CO, CR, CU, CZ, DE, DK, DM, DZ, EC, EE, EG, ES, FI, GB, GD, GE, GH, GM, GT, HN, HR, HU, ID, IL, IN, IS, JP, KE, KG, KM, KN, KP, KR, KZ, LA, LC, LK, LR, LS, LT, LU, LV, LY, MA, MD, MG, MK, MN, MW, MX, MY, MZ, NA, NG, NI, NO, NZ, OM, PG, PH, PL, PT, RO, RS, RU, SC, SD, SE, SG, SK, SL, SM, SV, SY, TJ, TM, TN, TR, TT, TZ, UA, UG, US, UZ, VC, VN, ZA, ZM, ZW.

(25) Filing Language: English

(26) Publication Language: English

(30) Priority Data:
11/354,286 13 February 2006 (13.02.2006) US
60/783,818 17 March 2006 (17.03.2006) US
11/544,951 6 October 2006 (06.10.2006) US

(71) Applicant (for all designated States except US): ADC TELECOMMUNICATIONS, INC. [US/US]; 13625 Technology Drive, Eden Prairie, MN 55344-2252 (US).

(84) Designated States (unless otherwise indicated, for every kind of regional protection available): ARIPO (BW, GH, GM, KE, LS, MW, MZ, NA, SD, SL, SZ, TZ, UG, ZM, ZW), Eurasian (AM, AZ, BY, KG, KZ, MD, RU, TJ, TM), European (AT, BE, BG, CH, CY, CZ, DE, DK, EE, ES, FI, FR, GB, GR, HU, IE, IS, IT, LT, LU, LV, MC, NL, PL, PT, RO, SE, SI, SK, TR), OAPI (BF, BJ, CF, CG, CI, CM, GA, GN, GQ, GW, ML, MR, NE, SN, TD, TG).

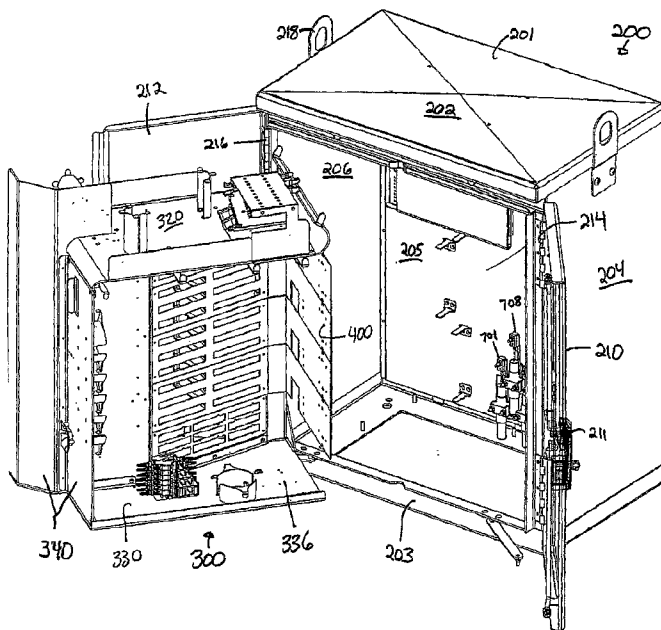
(72) Inventors; and

(75) Inventors/Applicants (for US only): BECK, Ronald, A. [US/US]; 2514 Lockwood Drive, St. Paul, MN 55120 (US). ZABEL, Joshua, A. [US/US]; 4482 190th Street, Lester Prairie, MN 55354 (US). ANDERSON, Steve [US/US]; 917 Minnesota Street, Shakopee, MN 55379 (US). LANDRY, Edward, T. [US/US]; 7064 Candlewood Circle, Brooklyn Park, MN 55445 (US). STANDISH,

Published:
— with international search report

[Continued on next page]

(54) Title: FIBER DISTRIBUTION HUB WITH OUTSIDE ACCESSIBLE GROUNDING TERMINALS



(57) Abstract: The present disclosure relates to a telecommunications distribution hub having a cabinet that defines a primary compartment. The cabinet also includes one or more main doors for accessing the primary compartment. Telecommunications equipment is mounted within the primary compartment. The distribution hub further includes a secondary compartment that can be accessed from an exterior of the cabinet without accessing the primary compartment. A grounding interface is accessible from within the secondary compartment.

WO 2007/095037 A3



— *before the expiration of the time limit for amending the claims and to be republished in the event of receipt of amendments*

For two-letter codes and other abbreviations, refer to the "Guidance Notes on Codes and Abbreviations" appearing at the beginning of each regular issue of the PCT Gazette.

(88) Date of publication of the international search report:

1 November 2007

INTERNATIONAL SEARCH REPORT

International application No
PCT/US2007/003298

A. CLASSIFICATION OF SUBJECT MATTER INV. G02B6/44		
According to International Patent Classification (IPC) or to both national classification and IPC		
B. FIELDS SEARCHED		
Minimum documentation searched (classification system followed by classification symbols) G02B H02B		
Documentation searched other than minimum documentation to the extent that such documents are included in the fields searched		
Electronic data base consulted during the international search (name of data base and, where practical, search terms used) EPO-Internal		
C. DOCUMENTS CONSIDERED TO BE RELEVANT		
Category*	Citation of document, with indication, where appropriate, of the relevant passages	Relevant to claim No.
Y	DE 103 07 944 A1 (BERTHOLD SICHERT GMBH [DE]; KRONE GMBH [DE]) 9 September 2004 (2004-09-09) abstract; figure 6 -----	1-20
Y	US 5 734 774 A (MORRELL EDWARD ALBERT [US]) 31 March 1998 (1998-03-31) abstract; figure 1 -----	1-20
Y	JP 2005 222749 A (KEL KK) 18 August 2005 (2005-08-18) abstract -----	1-20
<input type="checkbox"/> Further documents are listed in the continuation of Box C.		
<input checked="" type="checkbox"/> See patent family annex.		
* Special categories of cited documents :		
A document defining the general state of the art which is not considered to be of particular relevance *E* earlier document but published on or after the international filing date *L* document which may throw doubts on priority claim(s) or which is cited to establish the publication date of another citation or other special reason (as specified) *O* document referring to an oral disclosure, use, exhibition or other means *P* document published prior to the international filing date but later than the priority date claimed		
T later document published after the international filing date or priority date and not in conflict with the application but cited to understand the principle or theory underlying the invention *X* document of particular relevance; the claimed invention cannot be considered novel or cannot be considered to involve an inventive step when the document is taken alone *Y* document of particular relevance; the claimed invention cannot be considered to involve an inventive step when the document is combined with one or more other such documents, such combination being obvious to a person skilled in the art. *&* document member of the same patent family		
Date of the actual completion of the international search <p align="center">13 August 2007</p>	Date of mailing of the international search report <p align="center">05/09/2007</p>	
Name and mailing address of the ISA European Patent Office, P.B. 5818 Patentlaan 2 NL - 2280 HV Rijswijk Tel. (+31-70) 340-2040, Tx. 31 651 epo nl, Fax: (+31-70) 340-3016	Authorized officer <p align="center">Yenidunya, Rifat</p>	

INTERNATIONAL SEARCH REPORT

Information on patent family members

International application No PCT/US2007/003298

Patent document cited in search report	Publication date	Publication date	Patent family member(s)	Publication date
DE 10307944	A1	09-09-2004	AT 352117 T	15-02-2007
			CN 1781226 A	31-05-2006
			CN 1943155 A	04-04-2007
			DK 1597804 T3	16-04-2007
			EP 1597804 A2	23-11-2005
			WO 2004076278 A2	10-09-2004
			US 2006220506 A1	05-10-2006
US 5734774	A	31-03-1998	NONE	
JP 2005222749	A	18-08-2005	NONE	