

(12) NACH DEM VERTRAG ÜBER DIE INTERNATIONALE ZUSAMMENARBEIT AUF DEM GEBIET DES PATENTWESENS (PCT) VERÖFFENTLICHTE INTERNATIONALE ANMELDUNG

(19) Weltorganisation für geistiges Eigentum

Internationales Büro

(43) Internationales Veröffentlichungsdatum
7. September 2012 (07.09.2012)



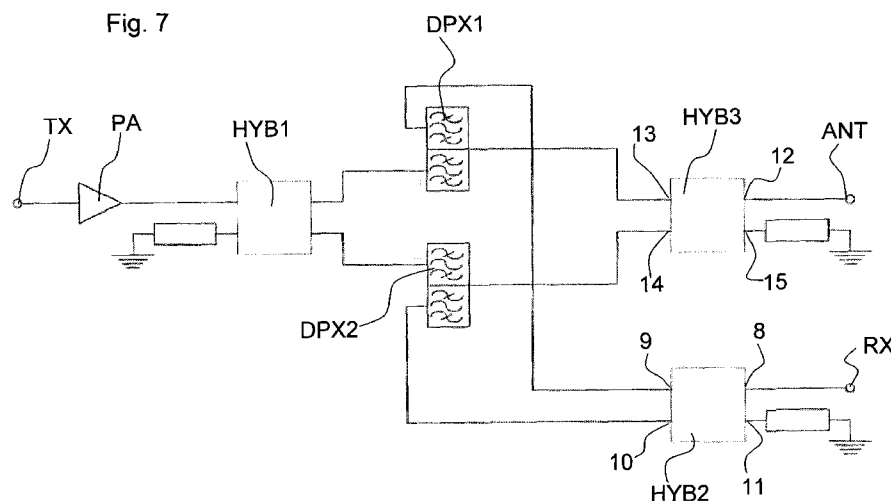
(10) Internationale Veröffentlichungsnummer
WO 2012/117072 A3

- (51) Internationale Patentklassifikation:
H03F 3/60 (2006.01) *H03F 3/24* (2006.01)
H04B 1/52 (2006.01) *H03F 1/02* (2006.01)
H04B 1/04 (2006.01)
- (21) Internationales Aktenzeichen: PCT/EP2012/053560
- (22) Internationales Anmeldedatum:
1. März 2012 (01.03.2012)
- (25) Einreichungssprache: Deutsch
- (26) Veröffentlichungssprache: Deutsch
- (30) Angaben zur Priorität:
10 2011 012 927.8 3. März 2011 (03.03.2011) DE
- (71) Anmelder (für alle Bestimmungsstaaten mit Ausnahme von US): EPCOS AG [DE/DE]; St.-Martin-Str. 53, 81669 München (DE).
- (72) Erfinder; und
- (75) Erfinder/Anmelder (nur für US): SCHMIDHAMMER, Edgar [DE/DE]; Hochgernstr. 28, 83371 Stein an der Traun (DE).
- (74) Anwalt: EPPING HERMANN FISCHER PATENTANWALTSGESELLSCHAFT MBH; Ridlerstr. 55, 80339 München (DE).
- (81) Bestimmungsstaaten (soweit nicht anders angegeben, für jede verfügbare nationale Schutzrechtsart): AE, AG, AL, AM, AO, AT, AU, AZ, BA, BB, BG, BH, BR, BW, BY, BZ, CA, CH, CL, CN, CO, CR, CU, CZ, DE, DK, DM, DO, DZ, EC, EE, EG, ES, FI, GB, GD, GE, GH, GM, GT, HN, HR, HU, ID, IL, IN, IS, JP, KE, KG, KM, KN, KP, KR, KZ, LA, LC, LK, LR, LS, LT, LU, LY, MA, MD, ME, MG, MK, MN, MW, MX, MY, MZ, NA, NG, NI, NO, NZ, OM, PE, PG, PH, PL, PT, QA, RO, RS, RU, RW, SC, SD, SE, SG, SK, SL, SM, ST, SV, SY, TH, TJ, TM, TN, TR, TT, TZ, UA, UG, US, UZ, VC, VN, ZA, ZM, ZW.
- (84) Bestimmungsstaaten (soweit nicht anders angegeben, für jede verfügbare regionale Schutzrechtsart): ARIPO (BW, GH, GM, KE, LR, LS, MW, MZ, NA, RW, SD, SL, SZ, TZ, UG, ZM, ZW), eurasisches (AM, AZ, BY, KG, KZ, MD, RU, TJ, TM), europäisches (AL, AT, BE, BG, CH, CY, CZ, DE, DK, EE, ES, FI, FR, GB, GR, HR, HU, IE, IS, IT, LT, LU, LV, MC, MK, MT, NL, NO, PL, PT, RO, RS, SE, SI, SK, SM, TR), OAPI (BF, BJ, CF, CG, CI, CM, GA, GN, GQ, GW, ML, MR, NE, SN, TD, TG).

[Fortsetzung auf der nächsten Seite]

(54) Title: AMPLIFIER MODULE

(54) Bezeichnung : VERSTÄRKERMODUL



(57) Abstract: The invention relates to an amplifier module, comprising at least one amplifier (PA), an antenna port (ANT), a transmission port (TX), a reception port (RX), and a circuit arrangement having at least three 90° hybrids (HYB1, HYB2, HBY3), which each divide a respective input signal into two output signals, wherein the two output signals have a relative phase shift of 90° from each other, wherein the antenna port (ANT), the transmission port (TX), and the reception port (RX) are each connected to at least one 90° hybrid (HYB1, HYB2, HBY3).

(57) Zusammenfassung: Die vorliegende Erfindung betrifft ein Verstärkermodul, das aufweisendzumindest einen Verstärker (PA), einen Antennenport (ANT), einen Sendeport (TX), einen Empfangsport (RX), und eine Schaltungsanordnung mit zumindest drei 90° Hybriden (HYB1, HYB2, HBY3), die jeweils ein Eingangssignal in zwei Ausgangssignale aufteilen, wobei die beiden Ausgangssignale eine relative Phasenverschiebung von 90° zueinander aufweisen, aufweist, wobei der Antennen-, der Sendeport und der Empfangsport (ANT, TX, RX) jeweils mit zumindest einem 90° Hybrid (HYB1, HYB2, HBY3) verbunden sind.



WO 2012/117072 A3



Veröffentlicht:

- *mit internationalem Rechenbericht (Artikel 21 Absatz 3)*
- *vor Ablauf der für Änderungen der Ansprüche geltenden Frist; Veröffentlichung wird wiederholt, falls Änderungen eingehen (Regel 48 Absatz 2 Buchstabe h)*

(88) Veröffentlichungsdatum des internationalen Rechenberichts:

17. Januar 2013

INTERNATIONAL SEARCH REPORT

International application No
PCT/EP2012/053560

A. CLASSIFICATION OF SUBJECT MATTER
 INV. H03F3/60 H04B1/52 H04B1/04 H03F3/24 H03F1/02
 ADD.
 According to International Patent Classification (IPC) or to both national classification and IPC

B. FIELDS SEARCHED
 Minimum documentation searched (classification system followed by classification symbols)
 H03F H04B
 Documentation searched other than minimum documentation to the extent that such documents are included in the fields searched

Electronic data base consulted during the international search (name of data base and, where practicable, search terms used)
 EPO-Internal, WPI Data

| Category* | Citation of document, with indication, where appropriate, of the relevant passages | Relevant to claim No. |
|-----------|--|-----------------------|
| X | JP 2008 177956 A (HITACHI CABLE) 31 July 2008 (2008-07-31) | 1-5,12, 13 |
| Y | abstract | 20 |
| Y | ----- WO 03/050947 A1 (MOTOROLA INC [US]) 19 June 2003 (2003-06-19) page 7, line 16 - line 21; figures 2,3 | 20 |
| Y | ----- US 2007/258602 A1 (VEPSALAINEN JUSSI [FI] ET AL VEPSAELAEINEN JUSSI [FI] ET AL) 8 November 2007 (2007-11-08) paragraph [0084]; figure 12 figure 3 | 20 |
| Y | ----- US 2005/079835 A1 (TAKABAYASHI SHINICHIRO [JP] ET AL) 14 April 2005 (2005-04-14) the whole document | 20 |
| | ----- -/-- | |

Further documents are listed in the continuation of Box C. See patent family annex.

* Special categories of cited documents :

| | |
|---|---|
| <p>"A" document defining the general state of the art which is not considered to be of particular relevance</p> <p>"E" earlier application or patent but published on or after the international filing date</p> <p>"L" document which may throw doubts on priority claim(s) or which is cited to establish the publication date of another citation or other special reason (as specified)</p> <p>"O" document referring to an oral disclosure, use, exhibition or other means</p> <p>"P" document published prior to the international filing date but later than the priority date claimed</p> | <p>"T" later document published after the international filing date or priority date and not in conflict with the application but cited to understand the principle or theory underlying the invention</p> <p>"X" document of particular relevance; the claimed invention cannot be considered novel or cannot be considered to involve an inventive step when the document is taken alone</p> <p>"Y" document of particular relevance; the claimed invention cannot be considered to involve an inventive step when the document is combined with one or more other such documents, such combination being obvious to a person skilled in the art</p> <p>"&" document member of the same patent family</p> |
|---|---|

| | |
|---|--|
| Date of the actual completion of the international search 12 November 2012 | Date of mailing of the international search report 28/11/2012 |
|---|--|

| | |
|--|---|
| Name and mailing address of the ISA/ European Patent Office, P.B. 5818 Patentlaan 2 NL - 2280 HV Rijswijk Tel. (+31-70) 340-2040, Fax: (+31-70) 340-3016 | Authorized officer Kurzbauer, Werner |
|--|---|

INTERNATIONAL SEARCH REPORT

International application No
PCT/EP2012/053560

| C(Continuation). DOCUMENTS CONSIDERED TO BE RELEVANT | | |
|--|---|-----------------------|
| Category* | Citation of document, with indication, where appropriate, of the relevant passages | Relevant to claim No. |
| X | US 5 375 257 A (LAMPEN JAMES L [US]) 20 December 1994 (1994-12-20) | 1 |
| Y | column 3 - column 4; figures 1,2 ----- | 20 |
| X | US 2011/032854 A1 (CARNEY PAUL [US] ET AL) 10 February 2011 (2011-02-10) column 51 - column 58; figure 3 ----- | 1 |
| X | US 6 823 177 B1 (LUCIDARME THIERRY [FR]) 23 November 2004 (2004-11-23) column 3, line 8 - line 10 column 5, line 35 - line 60; figure 6 ----- | 1,2 |
| A | US 4 618 831 A (EGAMI SHUNICHIRO [JP] ET AL) 21 October 1986 (1986-10-21) the whole document ----- | 1-13 |
| A,P | HAN LIM LEE ET AL: "24 GHz Balanced Doppler Radar Front-End With Tx Leakage Canceller for Antenna Impedance Variation and Mutual Coupling", IEEE TRANSACTIONS ON ANTENNAS AND PROPAGATION, IEEE SERVICE CENTER, PISCATAWAY, NJ, US, vol. 59, no. 12, 1 December 2011 (2011-12-01), pages 4497-4504, XP011379536, ISSN: 0018-926X, DOI: 10.1109/TAP.2011.2165486 the whole document ----- | 1-13 |
| A | WO 98/43315 A1 (ERICSSON TELEFON AB L M [SE]) 1 October 1998 (1998-10-01) the whole document ----- | 1-12 |
| A | US 2003/034835 A1 (POGGI PETER JOHN [US] ET AL) 20 February 2003 (2003-02-20) figure 1 ----- | 1-12 |
| Y | US 2005/069026 A1 (VEPSALAINEN JUSSI [FI] ET AL VEPSALAEINEN JUSSI [FI] ET AL) 31 March 2005 (2005-03-31) the whole document ----- | 20 |
| Y | EP 1 492 227 A1 (NORTHROP GRUMMAN CORP [US]) 29 December 2004 (2004-12-29) the whole document ----- | 20 |
| Y | US 2009/289720 A1 (TAKINAMI KOJI [US] ET AL) 26 November 2009 (2009-11-26) the whole document ----- | 20 |
| Y | WO 2004/002006 A1 (MOTOROLA INC [US]) 31 December 2003 (2003-12-31) the whole document ----- | 20 |

Box No. II Observations where certain claims were found unsearchable (Continuation of item 2 of first sheet)

This international search report has not been established in respect of certain claims under Article 17(2)(a) for the following reasons:

1. Claims Nos.:
because they relate to subject matter not required to be searched by this Authority, namely:

2. Claims Nos.:
because they relate to parts of the international application that do not comply with the prescribed requirements to such an extent that no meaningful international search can be carried out, specifically:

3. Claims Nos.:
because they are dependent claims and are not drafted in accordance with the second and third sentences of Rule 6.4(a).

Box No. III Observations where unity of invention is lacking (Continuation of item 3 of first sheet)

This International Searching Authority found multiple inventions in this international application, as follows:

see additional sheet

1. As all required additional search fees were timely paid by the applicant, this international search report covers all searchable claims.
2. As all searchable claims could be searched without effort justifying additional fees, this Authority did not invite payment of additional fees.
3. As only some of the required additional search fees were timely paid by the applicant, this international search report covers only those claims for which fees were paid, specifically claims Nos.:

1-13, 20
4. No required additional search fees were timely paid by the applicant. Consequently, this international search report is restricted to the invention first mentioned in the claims; it is covered by claims Nos.:

Remark on Protest

- The additional search fees were accompanied by the applicant's protest and, where applicable, the payment of a protest fee.
- The additional search fees were accompanied by the applicant's protest but the applicable protest fee was not paid within the time limit specified in the invitation.
- No protest accompanied the payment of additional search fees.

The International Searching Authority has found that this international application contains multiple (groups of) inventions, as follows:

1. Claims: 1-13

A circuit arrangement with at least three 90° hybrids, each of which divides an input signal into two output signals, the two output signals having a relative phase shift of 90° in relation to each other, at least one of the amplifiers being connected in series between a transmission port and one of the 90° hybrids, the circuit arrangement further having at least two duplexers wired in such a way that the two output signals emitted by the 90° hybrid connected to the transmission port constructively interfere across an antenna port.

2. Claim: 14

A circuit arrangement with at least three 90° hybrids, each of which divides an input signal into two output signals, the two output signals having a relative phase shift of 90° in relation to each other, at least one of the amplifiers being connected in series between a transmission port and one of the 90° hybrids, one of the ports being balanced and having two mutually symmetrical terminals, each of the two symmetrical terminals being connected to a 90° hybrid.

3. Claim: 15

A circuit arrangement with at least three 90° hybrids, each of which divides an input signal into two output signals, the two output signals having a relative phase shift of 90° in relation to each other, at least one of the amplifiers being connected in series between a transmission port and one of the 90° hybrids, and the amplifier and/or at least one 90° hybrid comprising a low-impedance output stage.

4. Claim: 16

A circuit arrangement with at least three 90° hybrids, each of which divides an input signal into two output signals, the two output signals having a relative phase shift of 90° in relation to each other, at least one of the amplifiers being connected in series between a transmission port and one of the 90° hybrids, the circuit arrangement further having an impedance transformation network (MN) downstream of one of the amplifiers (PA) and/or one of the 90° hybrids (HYB).

5. Claim: 17

A circuit arrangement with at least three 90° hybrids, each of which divides an input signal into two output signals, the two output signals having a relative phase shift of 90° in relation to each other, at least one of the amplifiers being connected in series between a transmission port and one of the 90° hybrids, the circuit arrangement further having an I/Q amplifier with two amplifier units and two 90° hybrids.

6. Claim: 18

A circuit arrangement with at least three 90° hybrids, each of which divides an input signal into two output signals, the two output signals having a relative phase shift of 90° in relation to each other, at least one of the amplifiers being connected in series between a transmission port and one of the 90° hybrids, the circuit arrangement further having a first impedance transformation network and a second impedance transformation network, both of which are connected to a first output of a 90° hybrid.

7. Claim: 19

A circuit arrangement with at least three 90° hybrids, each of which divides an input signal into two output signals, the two output signals having a relative phase shift of 90° in relation to each other, at least one of the amplifiers being connected in series between a transmission port and one of the 90° hybrids, the circuit arrangement further having a first amplifier unit and a second amplifier unit, both of which are connected between a first output of a 90° hybrid and a first impedance transformation network.

8. Claim: 20

A circuit arrangement with at least three 90° hybrids, each of which divides an input signal into two output signals, the two output signals having a relative phase shift of 90° in relation to each other, at least one of the amplifiers being connected in series between a transmission port and one of the 90° hybrids, the circuit arrangement further having a voltage modulator for an amplifier or amplifier unit.

9. Claim: 21

A circuit arrangement with at least three 90° hybrids, each of which divides an input signal into two output signals, the two output signals having a relative phase shift of 90° in relation to each other, at least one of the amplifiers being connected in series between a transmission port and one of the 90° hybrids, the circuit arrangement further having a coupler for decoupling a control signal for modulating the supply voltage of an amplifier or amplifier unit.

10. Claim: 22

A circuit arrangement with at least three 90° hybrids, each of which divides an input signal into two output signals, the two output signals having a relative phase shift of 90° in relation to each other, at least one of the amplifiers being connected in series between a transmission port and one of the 90° hybrids, the circuit arrangement further having a detector for detecting the supply voltage required by an amplifier or amplifier unit.

11. Claim: 23

A circuit arrangement with at least three 90° hybrids, each of which divides an input signal into two output signals, the two output signals having a relative phase shift of 90° in relation to each other, at least one of the amplifiers being connected in series between a transmission port and one of the 90° hybrids, the circuit arrangement further having a delay element in the signal path upstream of an amplifier or amplifier unit.

12. Claim: 24

A circuit arrangement with at least three 90° hybrids, each of which divides an input signal into two output signals, the two output signals having a relative phase shift of 90° in relation to each other, at least one of the amplifiers being connected in series between a transmission port and one of the 90° hybrids, the circuit arrangement further having circuit elements for modulating the supply voltage and a switch for switching off the circuit elements for modulating the supply voltage.

INTERNATIONAL SEARCH REPORT

Information on patent family members

International application No

PCT/EP2012/053560

| Patent document cited in search report | Publication date | Patent family member(s) | Publication date | |
|--|------------------|-------------------------|---|--|
| JP 2008177956 | A | 31-07-2008 | JP 4735551 B2 JP 2008177956 A | 27-07-2011 31-07-2008 |
| WO 03050947 | A1 | 19-06-2003 | AU 2002357027 A1 IL 161450 A JP 4101177 B2 JP 2006502599 A US 2003107434 A1 WO 03050947 A1 | 23-06-2003 03-11-2008 18-06-2008 19-01-2006 12-06-2003 19-06-2003 |
| US 2007258602 | A1 | 08-11-2007 | AT 492069 T CN 101427459 A EP 2016672 A1 US 2007258602 A1 WO 2007128862 A1 | 15-01-2011 06-05-2009 21-01-2009 08-11-2007 15-11-2007 |
| US 2005079835 | A1 | 14-04-2005 | AU 2003272918 A1 EP 1548949 A1 US 2005079835 A1 WO 2004032345 A1 | 23-04-2004 29-06-2005 14-04-2005 15-04-2004 |
| US 5375257 | A | 20-12-1994 | NONE | |
| US 2011032854 | A1 | 10-02-2011 | NONE | |
| US 6823177 | B1 | 23-11-2004 | AU 2512097 A CA 2249658 A1 CN 1221526 A DE 69702188 D1 DE 69702188 T2 EP 0890226 A1 FR 2746991 A1 US 6823177 B1 WO 9737440 A1 | 22-10-1997 09-10-1997 30-06-1999 06-07-2000 01-03-2001 13-01-1999 03-10-1997 23-11-2004 09-10-1997 |
| US 4618831 | A | 21-10-1986 | CA 1236178 A1 FR 2570883 A1 JP 1621051 C JP 2044409 B JP 61078213 A SE 460510 B SE 8504394 A US 4618831 A | 03-05-1988 28-03-1986 09-10-1991 03-10-1990 21-04-1986 16-10-1989 26-03-1986 21-10-1986 |
| WO 9843315 | A1 | 01-10-1998 | AU 6235498 A CA 2284045 A1 CN 1250549 A DE 69837596 T2 EP 0970541 A1 EP 1764867 A1 JP 4430699 B2 JP 2001518265 A JP 2008011565 A SE 510995 C2 SE 9701079 A US 6043790 A WO 9843315 A1 | 20-10-1998 01-10-1998 12-04-2000 06-09-2007 12-01-2000 21-03-2007 10-03-2010 09-10-2001 17-01-2008 19-07-1999 25-09-1998 28-03-2000 01-10-1998 |

INTERNATIONAL SEARCH REPORT

Information on patent family members

| |
|---|
| International application No PCT/EP2012/053560 |
|---|

| Patent document cited in search report | Publication date | Patent family member(s) | Publication date |
|--|------------------|-------------------------|--|
| US 2003034835 | A1 | 20-02-2003 | EP 1436892 A2 14-07-2004 US 2003034835 A1 20-02-2003 WO 03017471 A2 27-02-2003 |
| ----- | | | |
| US 2005069026 | A1 | 31-03-2005 | CN 101416406 A 22-04-2009 EP 1676369 A2 05-07-2006 KR 20060056396 A 24-05-2006 US 2005069026 A1 31-03-2005 WO 2005031984 A2 07-04-2005 |
| ----- | | | |
| EP 1492227 | A1 | 29-12-2004 | EP 1492227 A1 29-12-2004 JP 4509538 B2 21-07-2010 JP 2005020696 A 20-01-2005 US 2004266366 A1 30-12-2004 |
| ----- | | | |
| US 2009289720 | A1 | 26-11-2009 | NONE |
| ----- | | | |
| WO 2004002006 | A1 | 31-12-2003 | AT 435532 T 15-07-2009 AU 2003243194 A1 06-01-2004 CA 2489796 A1 31-12-2003 EP 1518335 A1 30-03-2005 US 6725021 B1 20-04-2004 WO 2004002006 A1 31-12-2003 |
| ----- | | | |

| | | |
|---|--|---|
| A. KLASSIFIZIERUNG DES ANMELDUNGSGEGENSTANDES INV. H03F3/60 H04B1/52 H04B1/04 H03F3/24 H03F1/02 ADD. | | |
| Nach der Internationalen Patentklassifikation (IPC) oder nach der nationalen Klassifikation und der IPC | | |
| B. RECHERCHIERTE GEBIETE Recherchierter Mindestprüfstoff (Klassifikationssystem und Klassifikationssymbole) H03F H04B | | |
| Recherchierte, aber nicht zum Mindestprüfstoff gehörende Veröffentlichungen, soweit diese unter die recherchierten Gebiete fallen | | |
| Während der internationalen Recherche konsultierte elektronische Datenbank (Name der Datenbank und evtl. verwendete Suchbegriffe) EPO-Internal, WPI Data | | |
| C. ALS WESENTLICH ANGESEHENE UNTERLAGEN | | |
| Kategorie* | Bezeichnung der Veröffentlichung, soweit erforderlich unter Angabe der in Betracht kommenden Teile | Betr. Anspruch Nr. |
| X | JP 2008 177956 A (HITACHI CABLE) 31. Juli 2008 (2008-07-31) | 1-5,12, 13 |
| Y | Zusammenfassung | 20 |
| Y | WO 03/050947 A1 (MOTOROLA INC [US]) 19. Juni 2003 (2003-06-19) Seite 7, Zeile 16 - Zeile 21; Abbildungen 2,3 | 20 |
| Y | US 2007/258602 A1 (VEPSALAINEN JUSSI [FI] ET AL VEPSALAEINEN JUSSI [FI] ET AL) 8. November 2007 (2007-11-08) Absatz [0084]; Abbildung 12 Abbildung 3 | 20 |
| Y | US 2005/079835 A1 (TAKABAYASHI SHINICHIRO [JP] ET AL) 14. April 2005 (2005-04-14) das ganze Dokument | 20 |
| | ----- -/-- | |
| <input checked="" type="checkbox"/> Weitere Veröffentlichungen sind der Fortsetzung von Feld C zu entnehmen <input checked="" type="checkbox"/> Siehe Anhang Patentfamilie | | |
| * Besondere Kategorien von angegebenen Veröffentlichungen : "A" Veröffentlichung, die den allgemeinen Stand der Technik definiert, aber nicht als besonders bedeutsam anzusehen ist "E" frühere Anmeldung oder Patent, die bzw. das jedoch erst am oder nach dem internationalen Anmeldedatum veröffentlicht worden ist "L" Veröffentlichung, die geeignet ist, einen Prioritätsanspruch zweifelhaft erscheinen zu lassen, oder durch die das Veröffentlichungsdatum einer anderen im Recherchenbericht genannten Veröffentlichung belegt werden soll oder die aus einem anderen besonderen Grund angegeben ist (wie ausgeführt) "O" Veröffentlichung, die sich auf eine mündliche Offenbarung, eine Benutzung, eine Ausstellung oder andere Maßnahmen bezieht "P" Veröffentlichung, die vor dem internationalen Anmeldedatum, aber nach dem beanspruchten Prioritätsdatum veröffentlicht worden ist "T" Spätere Veröffentlichung, die nach dem internationalen Anmeldedatum oder dem Prioritätsdatum veröffentlicht worden ist und mit der Anmeldung nicht kollidiert, sondern nur zum Verständnis des der Erfindung zugrundeliegenden Prinzips oder der ihr zugrundeliegenden Theorie angegeben ist "X" Veröffentlichung von besonderer Bedeutung; die beanspruchte Erfindung kann allein aufgrund dieser Veröffentlichung nicht als neu oder auf erfinderischer Tätigkeit beruhend betrachtet werden "Y" Veröffentlichung von besonderer Bedeutung; die beanspruchte Erfindung kann nicht als auf erfinderischer Tätigkeit beruhend betrachtet werden, wenn die Veröffentlichung mit einer oder mehreren Veröffentlichungen dieser Kategorie in Verbindung gebracht wird und diese Verbindung für einen Fachmann naheliegend ist "&" Veröffentlichung, die Mitglied derselben Patentfamilie ist | | |
| Datum des Abschlusses der internationalen Recherche | | Absenddatum des internationalen Recherchenberichts |
| 12. November 2012 | | 28/11/2012 |
| Name und Postanschrift der Internationalen Recherchenbehörde Europäisches Patentamt, P.B. 5818 Patentlaan 2 NL - 2280 HV Rijswijk Tel. (+31-70) 340-2040, Fax: (+31-70) 340-3016 | | Bevollmächtigter Bediensteter Kurbauer, Werner |

| C. (Fortsetzung) ALS WESENTLICH ANGESEHENE UNTERLAGEN | | |
|---|--|--------------------|
| Kategorie* | Bezeichnung der Veröffentlichung, soweit erforderlich unter Angabe der in Betracht kommenden Teile | Betr. Anspruch Nr. |
| X | US 5 375 257 A (LAMPEN JAMES L [US]) 20. Dezember 1994 (1994-12-20) | 1 |
| Y | Spalte 3 - Spalte 4; Abbildungen 1,2 ----- | 20 |
| X | US 2011/032854 A1 (CARNEY PAUL [US] ET AL) 10. Februar 2011 (2011-02-10) Spalte 51 - Spalte 58; Abbildung 3 ----- | 1 |
| X | US 6 823 177 B1 (LUCIDARME THIERRY [FR]) 23. November 2004 (2004-11-23) Spalte 3, Zeile 8 - Zeile 10 Spalte 5, Zeile 35 - Zeile 60; Abbildung 6 ----- | 1,2 |
| A | US 4 618 831 A (EGAMI SHUNICHIRO [JP] ET AL) 21. Oktober 1986 (1986-10-21) das ganze Dokument ----- | 1-13 |
| A,P | HAN LIM LEE ET AL: "24 GHz Balanced Doppler Radar Front-End With Tx Leakage Canceller for Antenna Impedance Variation and Mutual Coupling", IEEE TRANSACTIONS ON ANTENNAS AND PROPAGATION, IEEE SERVICE CENTER, PISCATAWAY, NJ, US, Bd. 59, Nr. 12, 1. Dezember 2011 (2011-12-01), Seiten 4497-4504, XP011379536, ISSN: 0018-926X, DOI: 10.1109/TAP.2011.2165486 das ganze Dokument ----- | 1-13 |
| A | WO 98/43315 A1 (ERICSSON TELEFON AB L M [SE]) 1. Oktober 1998 (1998-10-01) das ganze Dokument ----- | 1-12 |
| A | US 2003/034835 A1 (POGGI PETER JOHN [US] ET AL) 20. Februar 2003 (2003-02-20) Abbildung 1 ----- | 1-12 |
| Y | US 2005/069026 A1 (VEPSALAINEN JUSSI [FI] ET AL VEPSAELAEINEN JUSSI [FI] ET AL) 31. März 2005 (2005-03-31) das ganze Dokument ----- | 20 |
| Y | EP 1 492 227 A1 (NORTHROP GRUMMAN CORP [US]) 29. Dezember 2004 (2004-12-29) das ganze Dokument ----- | 20 |
| Y | US 2009/289720 A1 (TAKINAMI KOJI [US] ET AL) 26. November 2009 (2009-11-26) das ganze Dokument ----- | 20 |
| Y | WO 2004/002006 A1 (MOTOROLA INC [US]) 31. Dezember 2003 (2003-12-31) das ganze Dokument ----- | 20 |

Feld Nr. II Bemerkungen zu den Ansprüchen, die sich als nicht recherchierbar erwiesen haben (Fortsetzung von Punkt 2 auf Blatt 1)

Gemäß Artikel 17(2)a) wurde aus folgenden Gründen für bestimmte Ansprüche kein internationaler Recherchenbericht erstellt:

1. Ansprüche Nr.
weil sie sich auf Gegenstände beziehen, zu deren Recherche diese Behörde nicht verpflichtet ist, nämlich

2. Ansprüche Nr.
weil sie sich auf Teile der internationalen Anmeldung beziehen, die den vorgeschriebenen Anforderungen so wenig entsprechen, dass eine sinnvolle internationale Recherche nicht durchgeführt werden kann, nämlich

3. Ansprüche Nr.
weil es sich dabei um abhängige Ansprüche handelt, die nicht entsprechend Satz 2 und 3 der Regel 6.4 a) abgefasst sind.

Feld Nr. III Bemerkungen bei mangelnder Einheitlichkeit der Erfindung (Fortsetzung von Punkt 3 auf Blatt 1)

Diese Internationale Recherchenbehörde hat festgestellt, dass diese internationale Anmeldung mehrere Erfindungen enthält:

siehe Zusatzblatt

1. Da der Anmelder alle erforderlichen zusätzlichen Recherchegebühren rechtzeitig entrichtet hat, erstreckt sich dieser internationale Recherchenbericht auf alle recherchierbaren Ansprüche.

2. Da für alle recherchierbaren Ansprüche die Recherche ohne einen Arbeitsaufwand durchgeführt werden konnte, der zusätzliche Recherchegebühr gerechtfertigt hätte, hat die Behörde nicht zur Zahlung solcher Gebühren aufgefordert.

3. Da der Anmelder nur einige der erforderlichen zusätzlichen Recherchegebühren rechtzeitig entrichtet hat, erstreckt sich dieser internationale Recherchenbericht nur auf die Ansprüche, für die Gebühren entrichtet worden sind, nämlich auf die Ansprüche Nr.
1-13, 20

4. Der Anmelder hat die erforderlichen zusätzlichen Recherchegebühren nicht rechtzeitig entrichtet. Dieser internationale Recherchenbericht beschränkt sich daher auf die in den Ansprüchen zuerst erwähnte Erfindung; diese ist in folgenden Ansprüchen erfasst:

Bemerkungen hinsichtlich eines Widerspruchs

- Der Anmelder hat die zusätzlichen Recherchegebühren unter Widerspruch entrichtet und die gegebenenfalls erforderliche Widerspruchsgebühr gezahlt.
- Die zusätzlichen Recherchegebühren wurden vom Anmelder unter Widerspruch gezahlt, jedoch wurde die entsprechende Widerspruchsgebühr nicht innerhalb der in der Aufforderung angegebenen Frist entrichtet.
- Die Zahlung der zusätzlichen Recherchegebühren erfolgte ohne Widerspruch.

WEITERE ANGABEN

PCT/ISA/ 210

Die internationale Recherchenbehörde hat festgestellt, dass diese internationale Anmeldung mehrere (Gruppen von) Erfindungen enthält, nämlich:

1. Ansprüche: 1-13

Eine Schaltungsanordnung mit zumindest drei 90° Hybriden, die jeweils ein Eingangssignal in zwei Ausgangssignale aufteilen, wobei die beiden Ausgangssignale eine relative Phasenverschiebung von 90° zueinander aufweisen, bei dem zumindest einer der Verstärker in Serie zwischen einem Sendeport und einem der 90° Hybriden verschaltet ist, wobei die Schaltungsanordnung ferner zumindest zwei Duplexer aufweist, die derart verschaltet sind, dass die beiden Ausgangssignale, die der an den Sendeport angeschlossene 90° Hybrid ausgibt, an einem Antennenport konstruktiv interferieren.

2. Anspruch: 14

Eine Schaltungsanordnung mit zumindest drei 90° Hybriden, die jeweils ein Eingangssignal in zwei Ausgangssignale aufteilen, wobei die beiden Ausgangssignale eine relative Phasenverschiebung von 90° zueinander aufweisen, bei dem zumindest einer der Verstärker in Serie zwischen einem Sendeport und einem der 90° Hybriden verschaltet ist, wobei einer der Ports balanced ausgebildet ist und zwei zueinander symmetrische Anschlüsse aufweist, wobei jeder der beiden symmetrischen Anschlüsse mit einem 90° Hybrid verbunden ist.

3. Anspruch: 15

Eine Schaltungsanordnung mit zumindest drei 90° Hybriden, die jeweils ein Eingangssignal in zwei Ausgangssignale aufteilen, wobei die beiden Ausgangssignale eine relative Phasenverschiebung von 90° zueinander aufweisen, bei dem zumindest einer der Verstärker in Serie zwischen einem Sendeport und einem der 90° Hybriden verschaltet ist, wobei der Verstärker und/oder zumindest ein 90° Hybrid eine niederohmige Ausgangsstufe umfassen.

4. Anspruch: 16

Eine Schaltungsanordnung mit zumindest drei 90° Hybriden, die jeweils ein Eingangssignal in zwei Ausgangssignale aufteilen, wobei die beiden Ausgangssignale eine relative Phasenverschiebung von 90° zueinander aufweisen, bei dem zumindest einer der Verstärker in Serie zwischen einem Sendeport und einem der 90° Hybriden verschaltet ist, wobei die Schaltungsanordnung weiters ein Impedanztransformations-Netzwerk (MN) nach einem der Verstärker (PA) und/oder einem der 90° Hybride (HYB)

WEITERE ANGABEN

PCT/ISA/ 210

umfasst.

5. Anspruch: 17

Eine Schaltungsanordnung mit zumindest drei 90° Hybriden, die jeweils ein Eingangssignal in zwei Ausgangssignale aufteilen, wobei die beiden Ausgangssignale eine relative Phasenverschiebung von 90° zueinander aufweisen, bei dem zumindest einer der Verstärker in Serie zwischen einem Sendeport und einem der 90° Hybriden verschaltet ist, wobei die Schaltungsanordnung weiters ein I/Q-Verstärker mit 2 Verstärkereinheiten und zwei 90° Hybriden umfasst.

6. Anspruch: 18

Eine Schaltungsanordnung mit zumindest drei 90° Hybriden, die jeweils ein Eingangssignal in zwei Ausgangssignale aufteilen, wobei die beiden Ausgangssignale eine relative Phasenverschiebung von 90° zueinander aufweisen, bei dem zumindest einer der Verstärker in Serie zwischen einem Sendeport und einem der 90° Hybriden verschaltet ist, wobei die Schaltungsanordnung weiters ein erstes und ein zweites, mit einem ersten Ausgang eines 90° Hybrids verschaltetes Impedanztransformations-Netzwerk umfasst.

7. Anspruch: 19

Eine Schaltungsanordnung mit zumindest drei 90° Hybriden, die jeweils ein Eingangssignal in zwei Ausgangssignale aufteilen, wobei die beiden Ausgangssignale eine relative Phasenverschiebung von 90° zueinander aufweisen, bei dem zumindest einer der Verstärker in Serie zwischen einem Sendeport und einem der 90° Hybriden verschaltet ist, wobei die Schaltungsanordnung weiters eine erste und eine zweite, zwischen einem ersten Ausgang eines 90° Hybrids und einem ersten Impedanztransformations-Netzwerk verschaltete Verstärkereinheit umfasst.

8. Anspruch: 20

Eine Schaltungsanordnung mit zumindest drei 90° Hybriden, die jeweils ein Eingangssignal in zwei Ausgangssignale aufteilen, wobei die beiden Ausgangssignale eine relative Phasenverschiebung von 90° zueinander aufweisen, bei dem zumindest einer der Verstärker in Serie zwischen einem Sendeport und einem der 90° Hybriden verschaltet ist, wobei die Schaltungsanordnung weiters einen Spannungsmodulator für einen Verstärker oder eine Verstärkereinheit umfasst.

9. Anspruch: 21

WEITERE ANGABEN

PCT/ISA/ 210

Eine Schaltungsanordnung mit zumindest drei 90° Hybriden, die jeweils ein Eingangssignal in zwei Ausgangssignale aufteilen, wobei die beiden Ausgangssignale eine relative Phasenverschiebung von 90° zueinander aufweisen, bei dem zumindest einer der Verstärker in Serie zwischen einem Sendeport und einem der 90° Hybriden verschaltet ist, wobei die Schaltungsanordnung weiters einen Koppler zum Auskoppeln eines Steuersignals für eine Modulation der Versorgungsspannung eines Verstärkers oder einer Verstärkereinheit umfasst.

10. Anspruch: 22

Eine Schaltungsanordnung mit zumindest drei 90° Hybriden, die jeweils ein Eingangssignal in zwei Ausgangssignale aufteilen, wobei die beiden Ausgangssignale eine relative Phasenverschiebung von 90° zueinander aufweisen, bei dem zumindest einer der Verstärker in Serie zwischen einem Sendeport und einem der 90° Hybriden verschaltet ist, wobei die Schaltungsanordnung weiters einen Detektor zum Detektieren der notwendigen Versorgungsspannung eines Verstärkers oder einer Verstärkereinheit umfasst.

11. Anspruch: 23

Eine Schaltungsanordnung mit zumindest drei 90° Hybriden, die jeweils ein Eingangssignal in zwei Ausgangssignale aufteilen, wobei die beiden Ausgangssignale eine relative Phasenverschiebung von 90° zueinander aufweisen, bei dem zumindest einer der Verstärker in Serie zwischen einem Sendeport und einem der 90° Hybriden verschaltet ist, wobei die Schaltungsanordnung weiters ein Verzögerungselement im Signalpfad vor einem Verstärker oder einer Verstärkereinheit umfasst.

12. Anspruch: 24

Eine Schaltungsanordnung mit zumindest drei 90° Hybriden, die jeweils ein Eingangssignal in zwei Ausgangssignale aufteilen, wobei die beiden Ausgangssignale eine relative Phasenverschiebung von 90° zueinander aufweisen, bei dem zumindest einer der Verstärker in Serie zwischen einem Sendeport und einem der 90° Hybriden verschaltet ist, wobei die Schaltungsanordnung weiters Schaltungselemente für eine Versorgungsspannungs-Modulation und einen Schalter zum Deaktivieren der Schaltungselemente für die Versorgungsspannungs-Modulation umfasst.

INTERNATIONALER RECHERCHENBERICHT

Angaben zu Veröffentlichungen, die zur selben Patentfamilie gehören

Internationales Aktenzeichen

PCT/EP2012/053560

| Im Recherchenbericht angeführtes Patentdokument | Datum der Veröffentlichung | Mitglied(er) der Patentfamilie | Datum der Veröffentlichung |
|--|-------------------------------|---|--|
| JP 2008177956 A | 31-07-2008 | JP 4735551 B2 JP 2008177956 A | 27-07-2011 31-07-2008 |
| WO 03050947 A1 | 19-06-2003 | AU 2002357027 A1 IL 161450 A JP 4101177 B2 JP 2006502599 A US 2003107434 A1 WO 03050947 A1 | 23-06-2003 03-11-2008 18-06-2008 19-01-2006 12-06-2003 19-06-2003 |
| US 2007258602 A1 | 08-11-2007 | AT 492069 T CN 101427459 A EP 2016672 A1 US 2007258602 A1 WO 2007128862 A1 | 15-01-2011 06-05-2009 21-01-2009 08-11-2007 15-11-2007 |
| US 2005079835 A1 | 14-04-2005 | AU 2003272918 A1 EP 1548949 A1 US 2005079835 A1 WO 2004032345 A1 | 23-04-2004 29-06-2005 14-04-2005 15-04-2004 |
| US 5375257 A | 20-12-1994 | KEINE | |
| US 2011032854 A1 | 10-02-2011 | KEINE | |
| US 6823177 B1 | 23-11-2004 | AU 2512097 A CA 2249658 A1 CN 1221526 A DE 69702188 D1 DE 69702188 T2 EP 0890226 A1 FR 2746991 A1 US 6823177 B1 WO 9737440 A1 | 22-10-1997 09-10-1997 30-06-1999 06-07-2000 01-03-2001 13-01-1999 03-10-1997 23-11-2004 09-10-1997 |
| US 4618831 A | 21-10-1986 | CA 1236178 A1 FR 2570883 A1 JP 1621051 C JP 2044409 B JP 61078213 A SE 460510 B SE 8504394 A US 4618831 A | 03-05-1988 28-03-1986 09-10-1991 03-10-1990 21-04-1986 16-10-1989 26-03-1986 21-10-1986 |
| WO 9843315 A1 | 01-10-1998 | AU 6235498 A CA 2284045 A1 CN 1250549 A DE 69837596 T2 EP 0970541 A1 EP 1764867 A1 JP 4430699 B2 JP 2001518265 A JP 2008011565 A SE 510995 C2 SE 9701079 A US 6043790 A WO 9843315 A1 | 20-10-1998 01-10-1998 12-04-2000 06-09-2007 12-01-2000 21-03-2007 10-03-2010 09-10-2001 17-01-2008 19-07-1999 25-09-1998 28-03-2000 01-10-1998 |

INTERNATIONALER RECHERCHENBERICHT

Angaben zu Veröffentlichungen, die zur selben Patentfamilie gehören

Internationales Aktenzeichen

PCT/EP2012/053560

| Im Recherchenbericht angeführtes Patentdokument | | Datum der Veröffentlichung | Mitglied(er) der Patentfamilie | Datum der Veröffentlichung |
|--|----|-------------------------------|-----------------------------------|-------------------------------|
| US 2003034835 | A1 | 20-02-2003 | EP 1436892 A2 | 14-07-2004 |
| | | | US 2003034835 A1 | 20-02-2003 |
| | | | WO 03017471 A2 | 27-02-2003 |
| ----- | | | | |
| US 2005069026 | A1 | 31-03-2005 | CN 101416406 A | 22-04-2009 |
| | | | EP 1676369 A2 | 05-07-2006 |
| | | | KR 20060056396 A | 24-05-2006 |
| | | | US 2005069026 A1 | 31-03-2005 |
| | | | WO 2005031984 A2 | 07-04-2005 |
| ----- | | | | |
| EP 1492227 | A1 | 29-12-2004 | EP 1492227 A1 | 29-12-2004 |
| | | | JP 4509538 B2 | 21-07-2010 |
| | | | JP 2005020696 A | 20-01-2005 |
| | | | US 2004266366 A1 | 30-12-2004 |
| ----- | | | | |
| US 2009289720 | A1 | 26-11-2009 | KEINE | |
| ----- | | | | |
| WO 2004002006 | A1 | 31-12-2003 | AT 435532 T | 15-07-2009 |
| | | | AU 2003243194 A1 | 06-01-2004 |
| | | | CA 2489796 A1 | 31-12-2003 |
| | | | EP 1518335 A1 | 30-03-2005 |
| | | | US 6725021 B1 | 20-04-2004 |
| | | | WO 2004002006 A1 | 31-12-2003 |
| ----- | | | | |