



US00D624691S

(12) **United States Design Patent**  
**Zhang et al.**

(10) **Patent No.:** **US D624,691 S**

(45) **Date of Patent:** **\*\* \*Sep. 28, 2010**

- (54) **RECESSED BAFFLE TRIM**
- (75) Inventors: **Kanghong Zhang**, Torrance, CA (US);  
**Dan Dix**, Irvine, CA (US)
- (73) Assignee: **Cordelia Lighting, Inc.**, Rancho Dominguez, CA (US)
- (\*) Notice: This patent is subject to a terminal disclaimer.
- (\*\*) Term: **14 Years**
- (21) Appl. No.: **29/352,912**
- (22) Filed: **Dec. 29, 2009**

6,217,189 B1 *	4/2001	Nassim	362/147
6,452,336 B1 *	9/2002	Dandu	315/56
6,457,848 B1 *	10/2002	Wolf et al.	362/364
D469,211 S *	1/2003	Homann	D26/118
D474,298 S *	5/2003	Lecluze	D26/74
D476,108 S *	6/2003	Lecluze	D26/74
6,588,922 B1 *	7/2003	DeCicco	362/364

(Continued)

*Primary Examiner*—Cathron C Brooks  
*Assistant Examiner*—Kevin K Rudzinski  
 (74) *Attorney, Agent, or Firm*—Paul Y. Feng; Fulwider Patton LLP

(57) **CLAIM**

The ornamental design for a recessed baffle trim, as shown and described.

**DESCRIPTION**

FIG. 1 is a bottom perspective view of one embodiment of a recessed baffle trim showing the new design;  
 FIG. 2 is a top perspective view of FIG. 1;  
 FIG. 3 is a side view of FIG. 1;  
 FIG. 4 is another side view of FIG. 1;  
 FIG. 5 is a bottom view of FIG. 1;  
 FIG. 6 is a top view of FIG. 1;  
 FIG. 7 is a bottom perspective view of a second embodiment of a recessed baffle trim showing the new design;  
 FIG. 8 is a top perspective view of FIG. 7;  
 FIG. 9 is a side view of FIG. 7;  
 FIG. 10 is another side view of FIG. 7;  
 FIG. 11 is a bottom view of FIG. 7;  
 FIG. 12 is a top view of FIG. 7;  
 FIG. 13 is a side view of FIG. 7 with the baffle trim portion in a rotated position; and,  
 FIG. 14 is a top perspective view of FIG. 7 with the baffle trim portion in a rotated position.

All structures shown in broken lines are for illustrative purposes only and form no part of the claimed design.

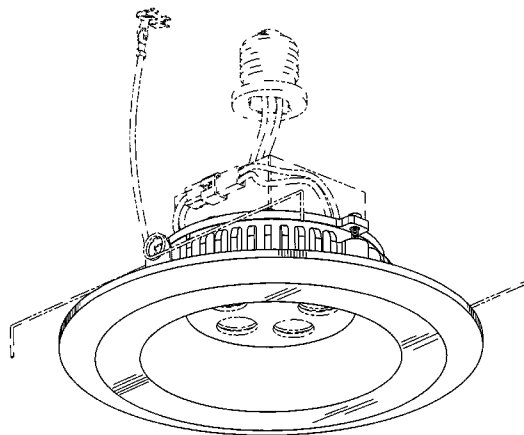
- (51) **LOC (9) Cl.** ..... **26-99**
  - (52) **U.S. Cl.** ..... **D26/138**
  - (58) **Field of Classification Search** ..... D26/124,  
D26/123, 129, 130, 131, 120, 113, 152, 138,  
D26/72, 77, 81, 83, 139, 85, 71, 87, 26, 118,  
D26/125, 73, 9, 134, 84, 127, 63, 50, 119,  
D26/60, 67, 128, 88, 86, 141, 142, 145, 153,  
D26/154, 155, 76, 78, 122; 428/26; 362/147,  
362/351, 365, 350, 348, 335, 364, 235, 249.02,  
362/294, 345, 366, 249.1, 25, 240, 376, 221,  
362/223, 325, 342; D12/163, 193; D11/125,  
D11/121, 49, 117, 184; D1/106, 107; D23/366;  
D6/332
- See application file for complete search history.

(56) **References Cited**

**U.S. PATENT DOCUMENTS**

D115,970 S *	8/1939	Stewart	D26/124
3,697,742 A *	10/1972	Bobrick	362/366
D247,562 S *	3/1978	Walker et al.	D14/209
D326,537 S *	5/1992	Gattari	D26/74
D326,729 S *	6/1992	Gattari	D26/74
D350,213 S *	8/1994	Druffel et al.	D26/74
D383,564 S *	9/1997	Lecluze	D26/118
D399,590 S *	10/1998	Lecluze	D26/118
6,045,241 A *	4/2000	Pahl	362/365
6,095,669 A *	8/2000	Cho	362/365

**1 Claim, 14 Drawing Sheets**



# US D624,691 S

Page 2

---

## U.S. PATENT DOCUMENTS

D487,816 S *	3/2004	Benghozi .....	D26/118	D548,390 S *	8/2007	Lecluze .....	D26/138
D488,583 S *	4/2004	Benghozi .....	D26/118	D548,391 S *	8/2007	Lecluze .....	D26/138
7,025,477 B2 *	4/2006	Blessing et al. ....	362/364	D571,036 S *	6/2008	Rashidi .....	D26/118
D538,952 S *	3/2007	Maxik et al. ....	D26/2	D571,038 S *	6/2008	Chan et al. ....	D26/152
D544,972 S *	6/2007	Coushaine .....	D26/37	D581,089 S *	11/2008	St-Hilaire .....	D26/118
D547,889 S *	7/2007	Huang .....	D26/28	D595,005 S *	6/2009	Chou .....	D26/74
				2009/0097262 A1 *	4/2009	Zhang et al. ....	362/364

\* cited by examiner

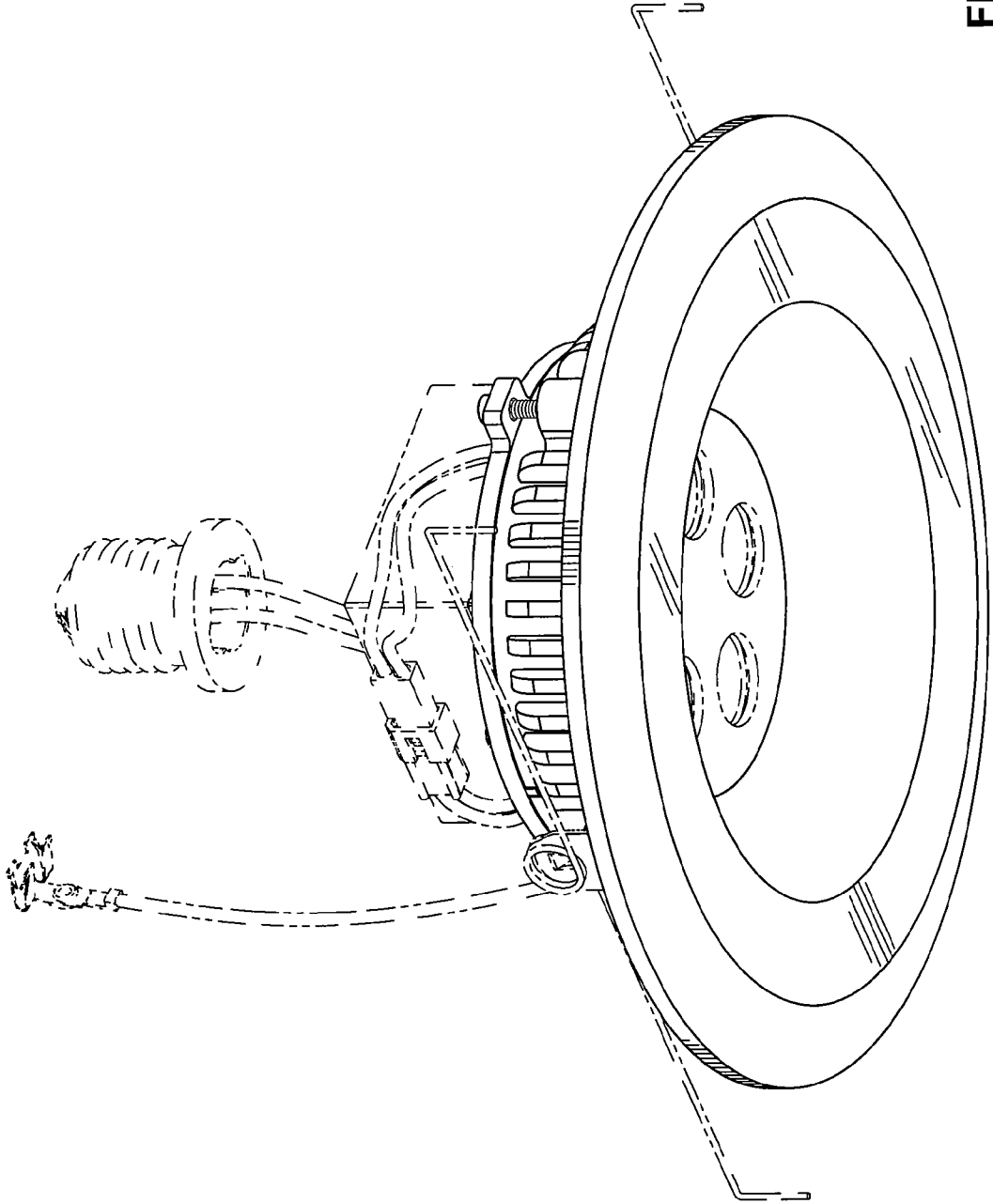


FIG. 1

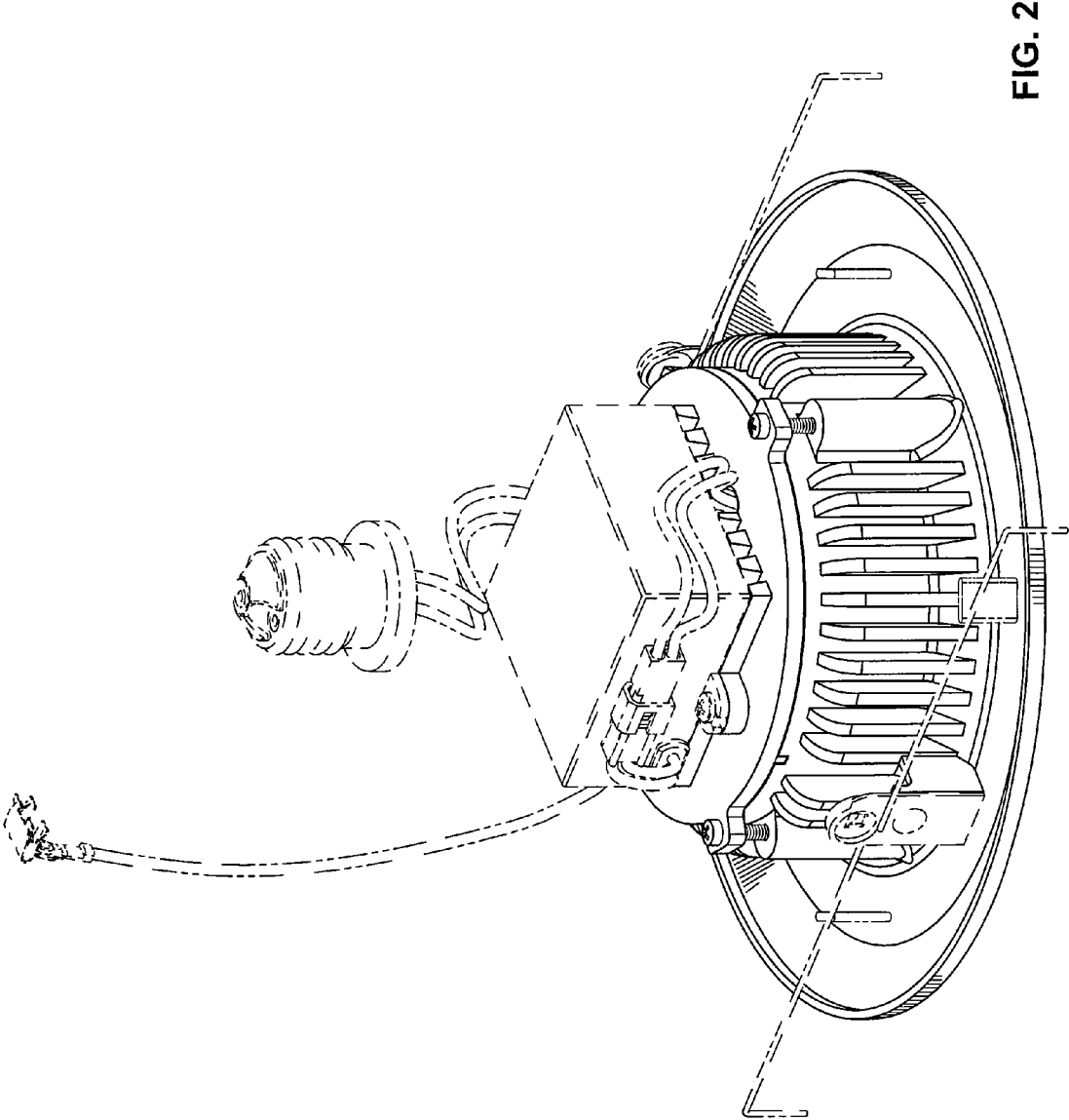


FIG. 2

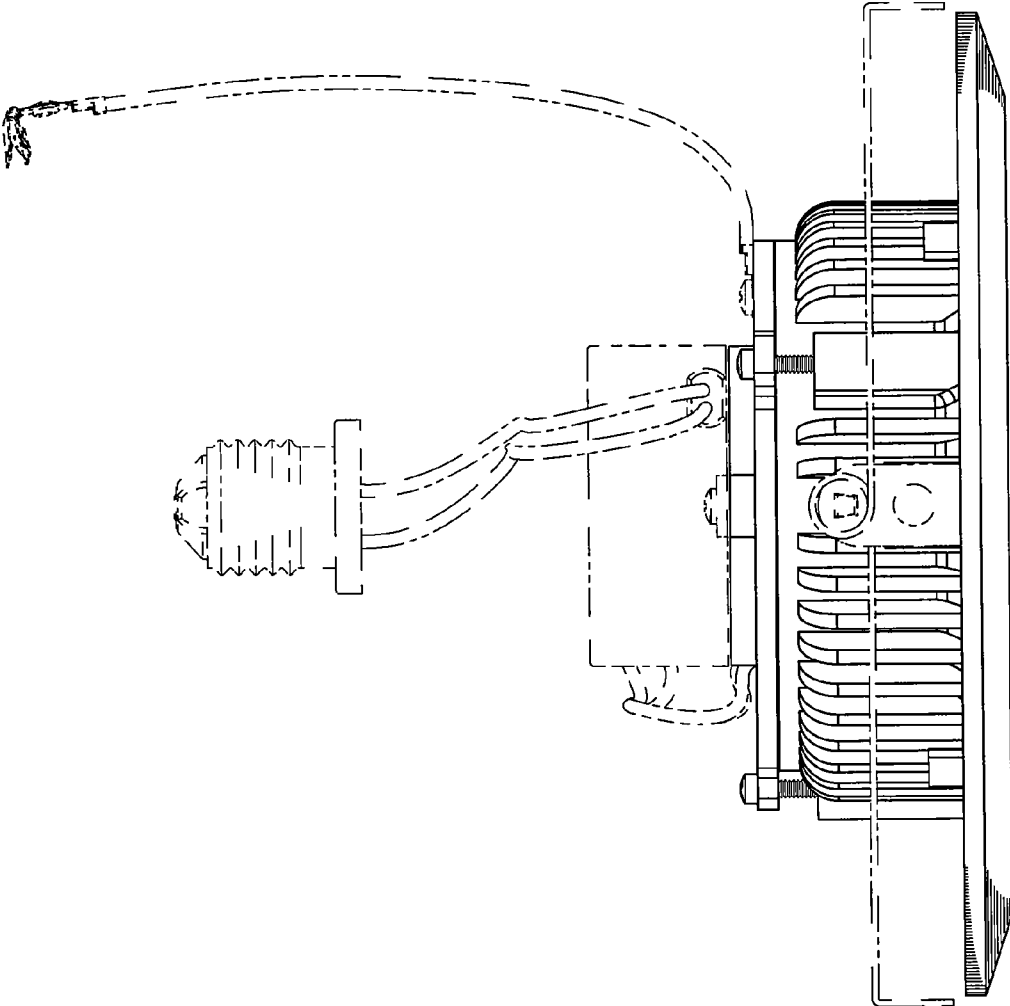


FIG. 3

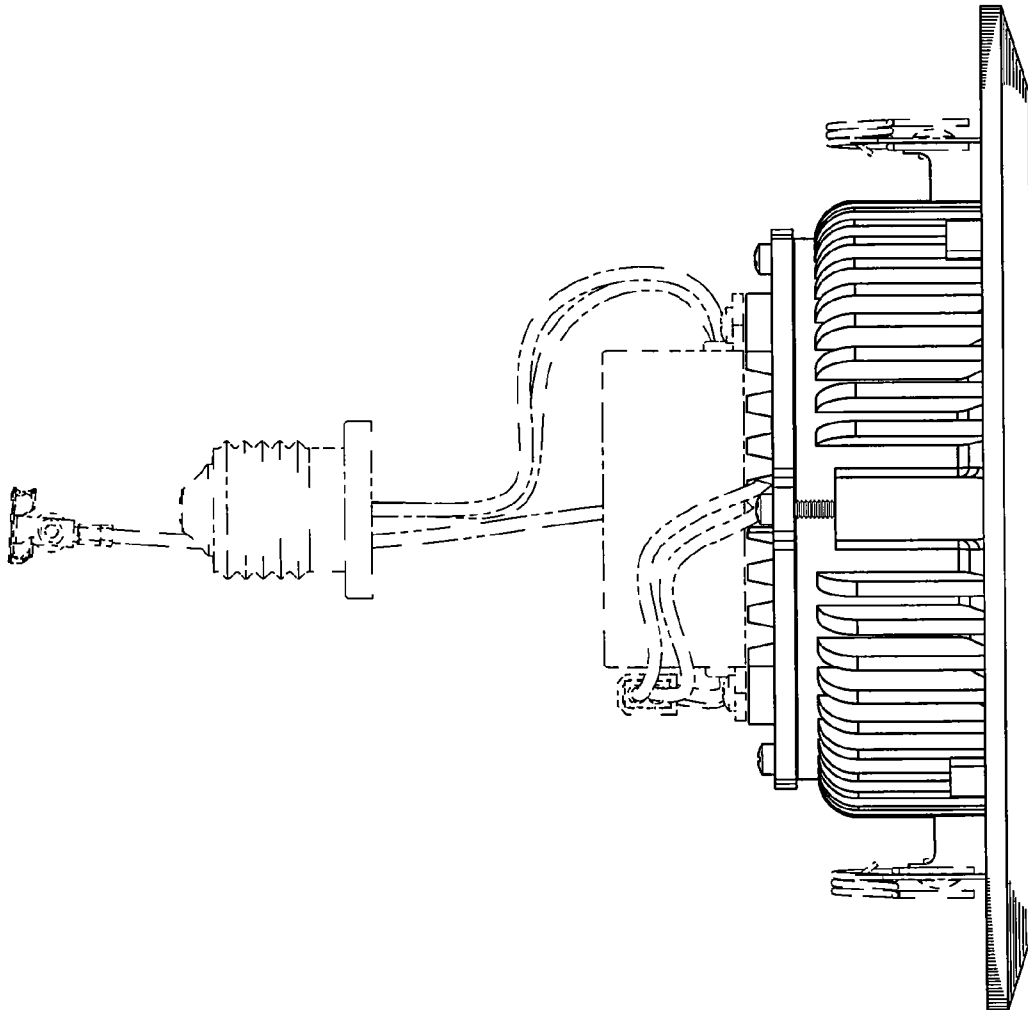
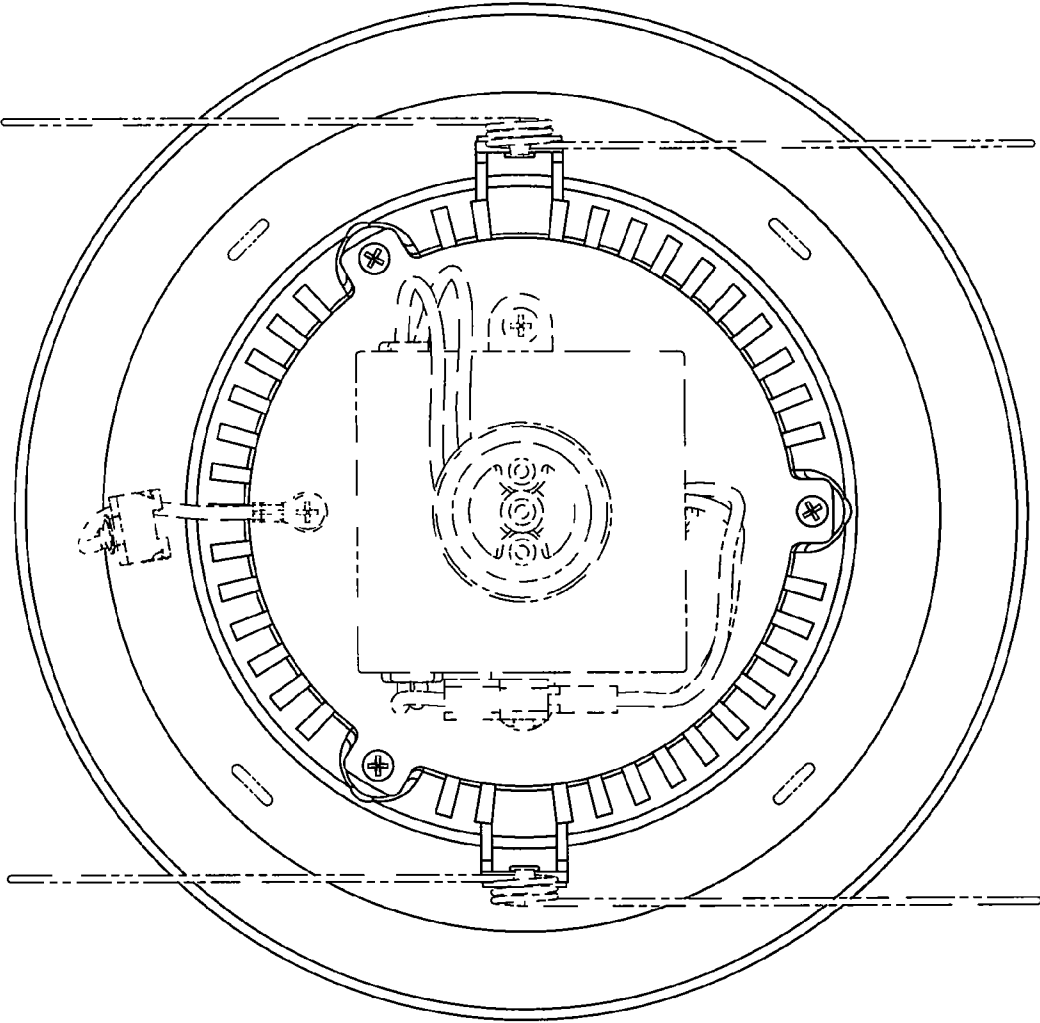


FIG. 4



FIG. 6





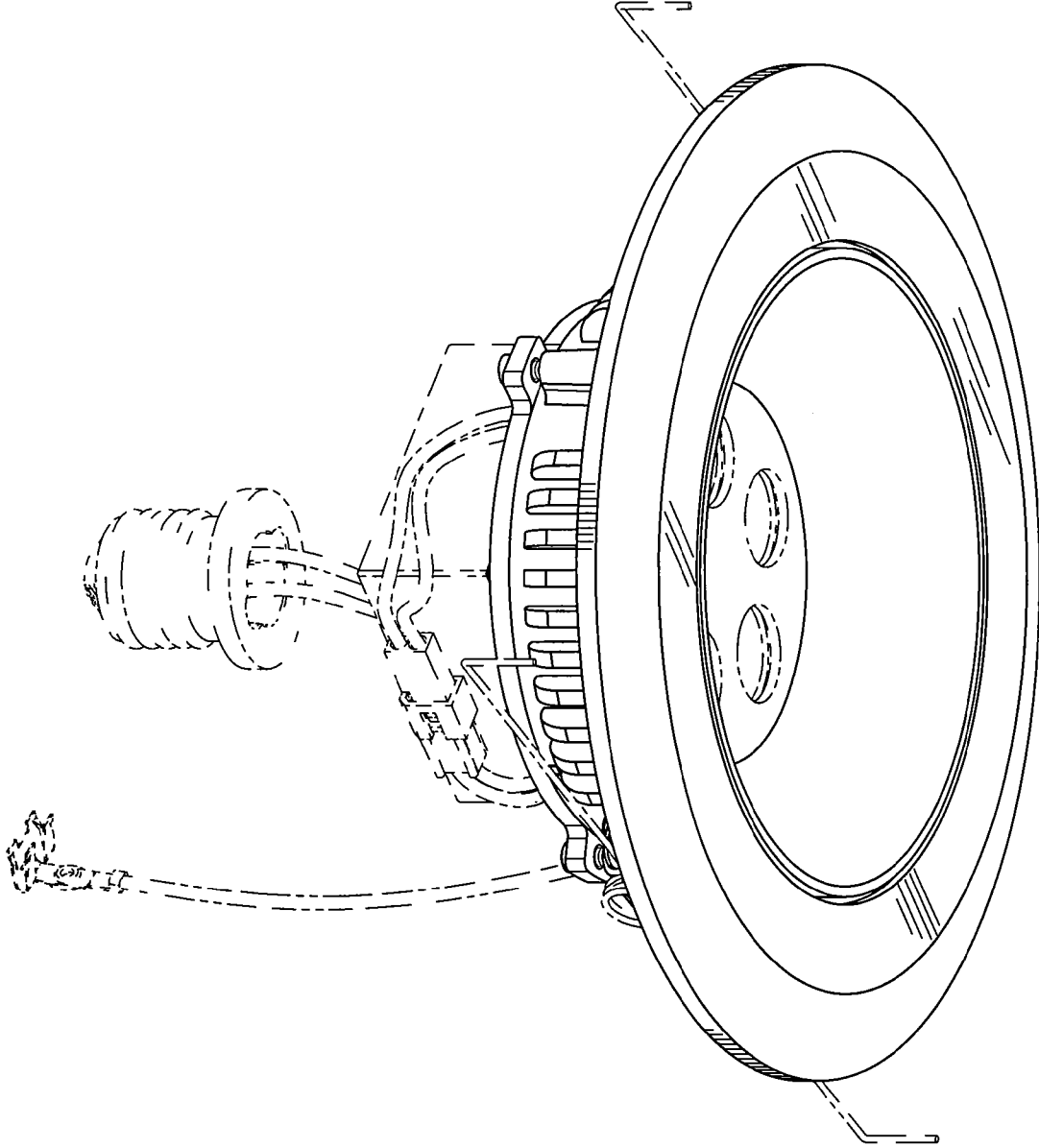


FIG. 7

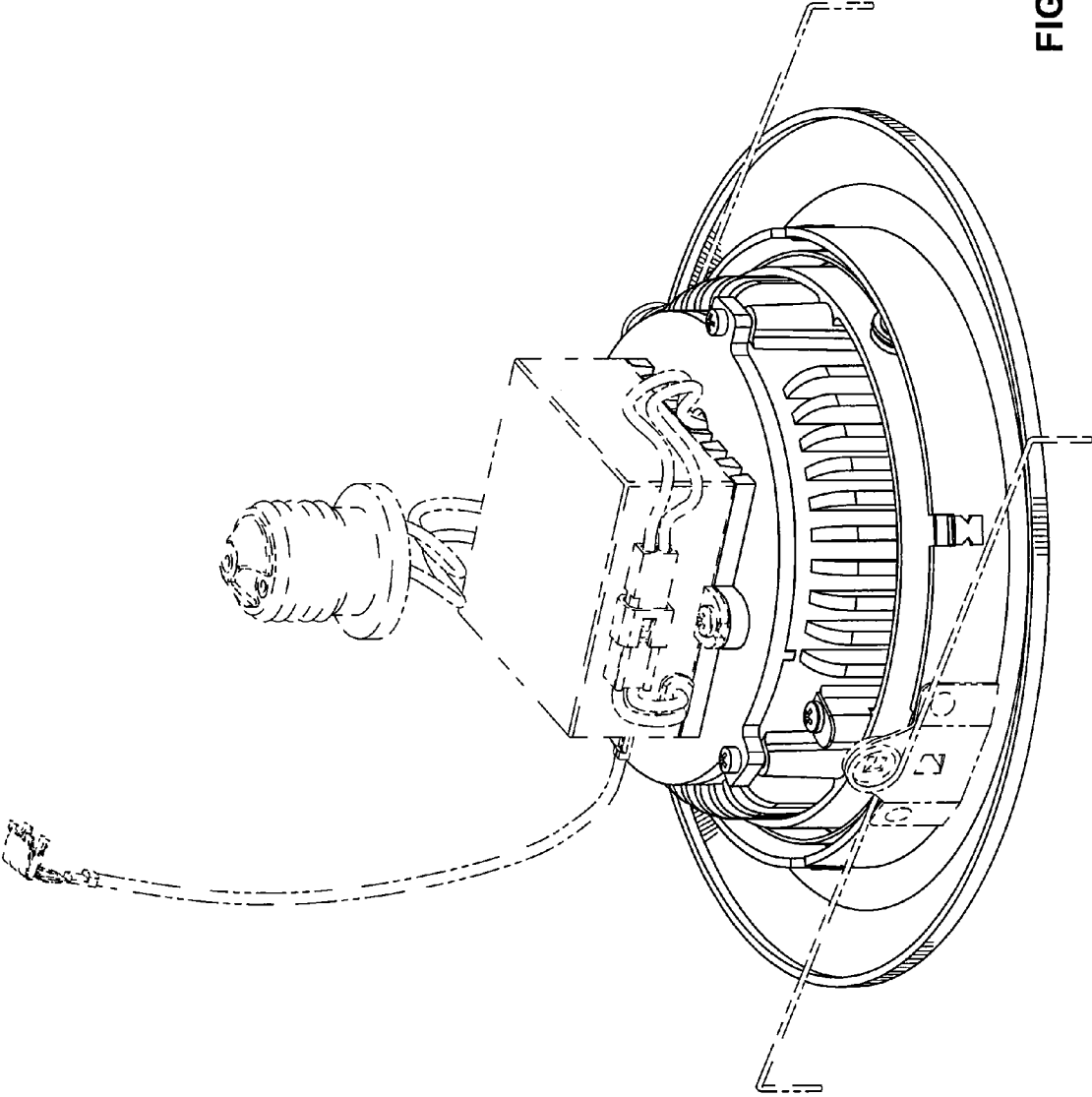


FIG. 8

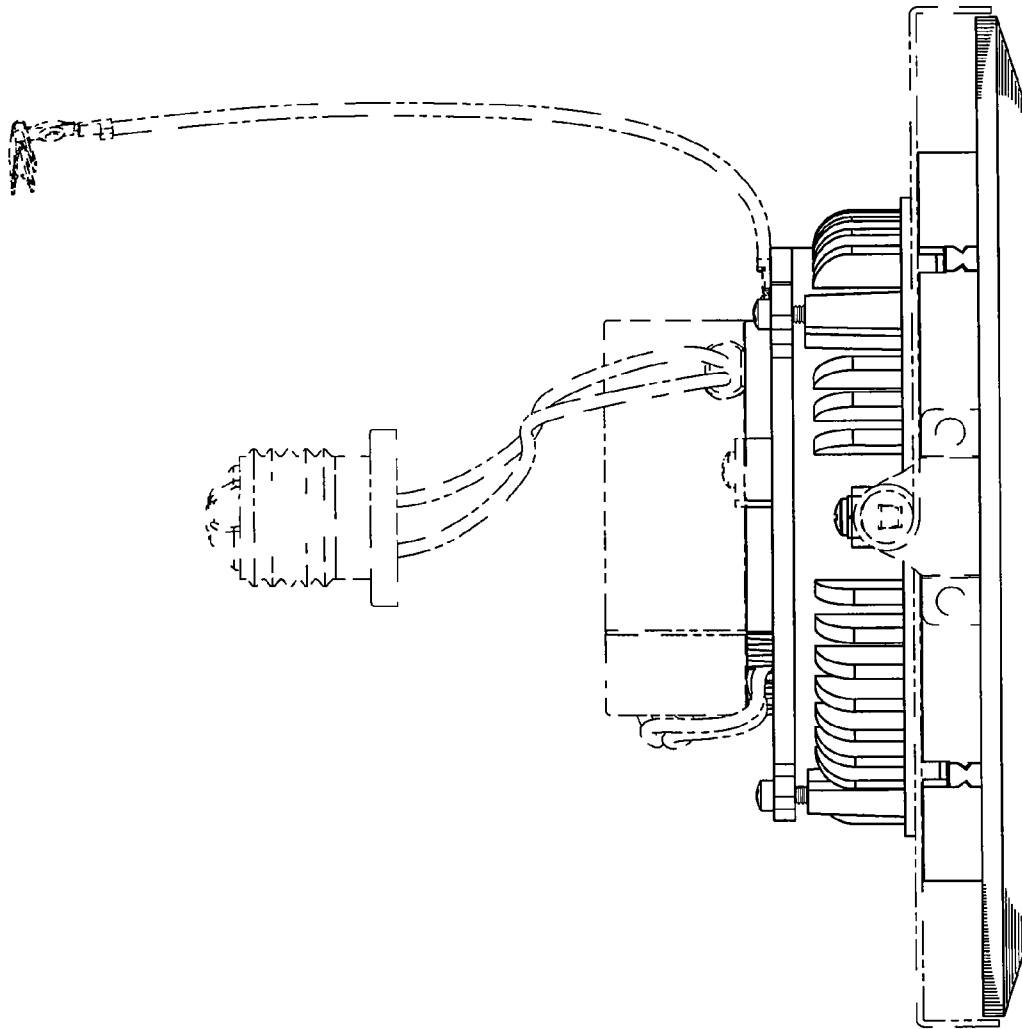


FIG. 9

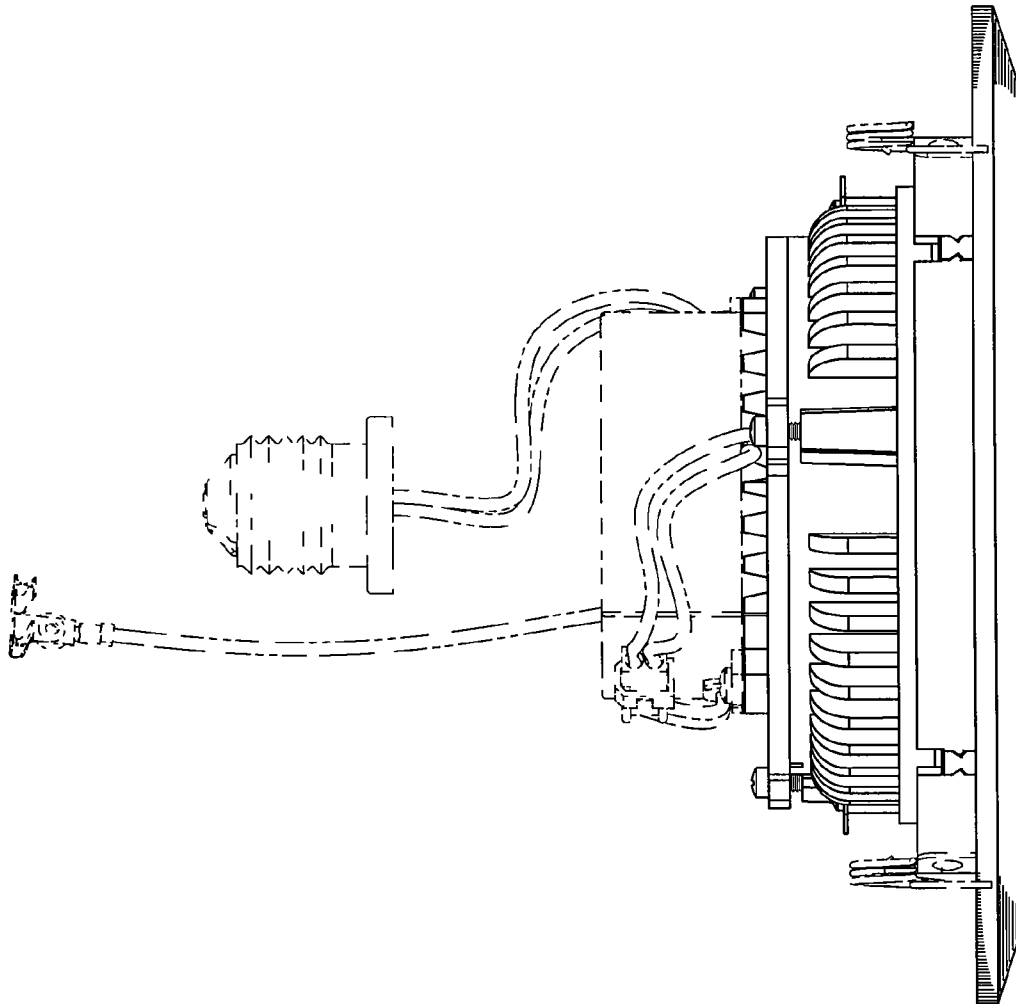


FIG. 10

FIG. 11

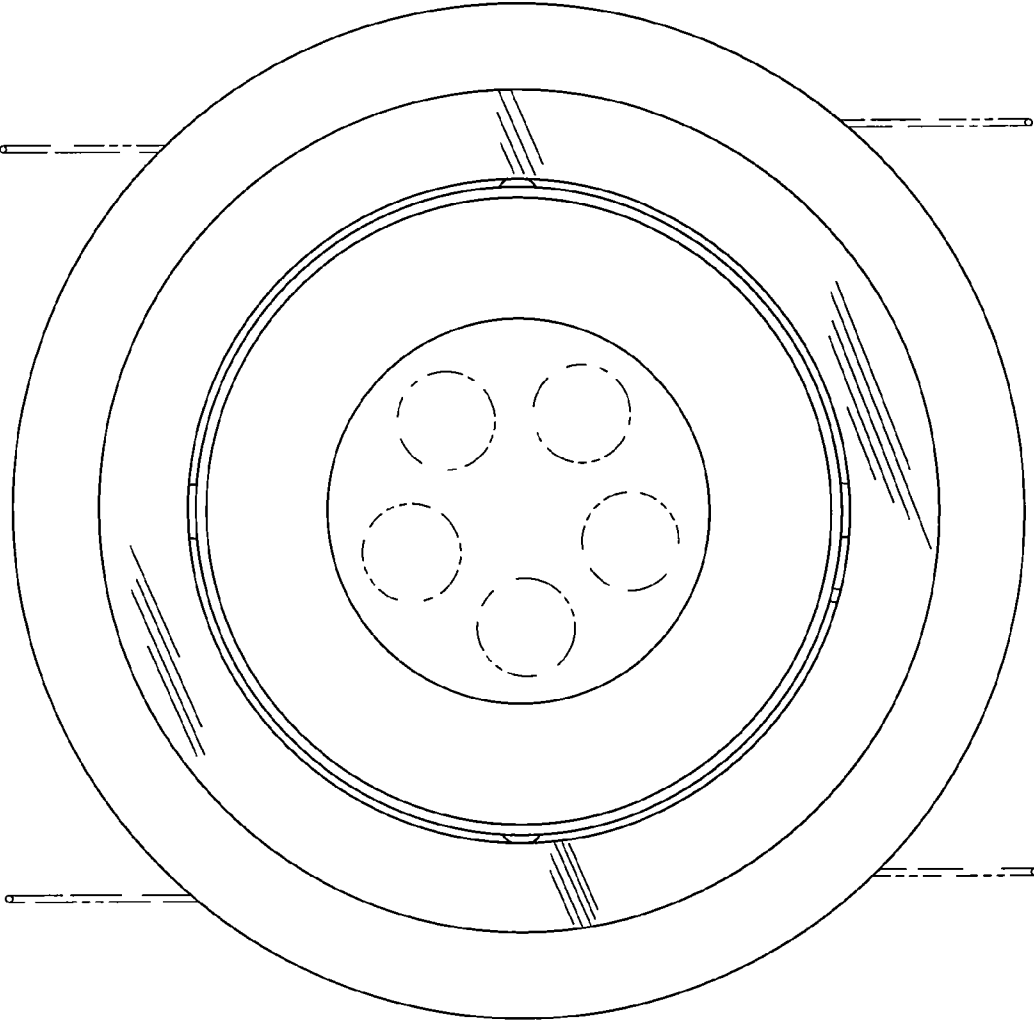
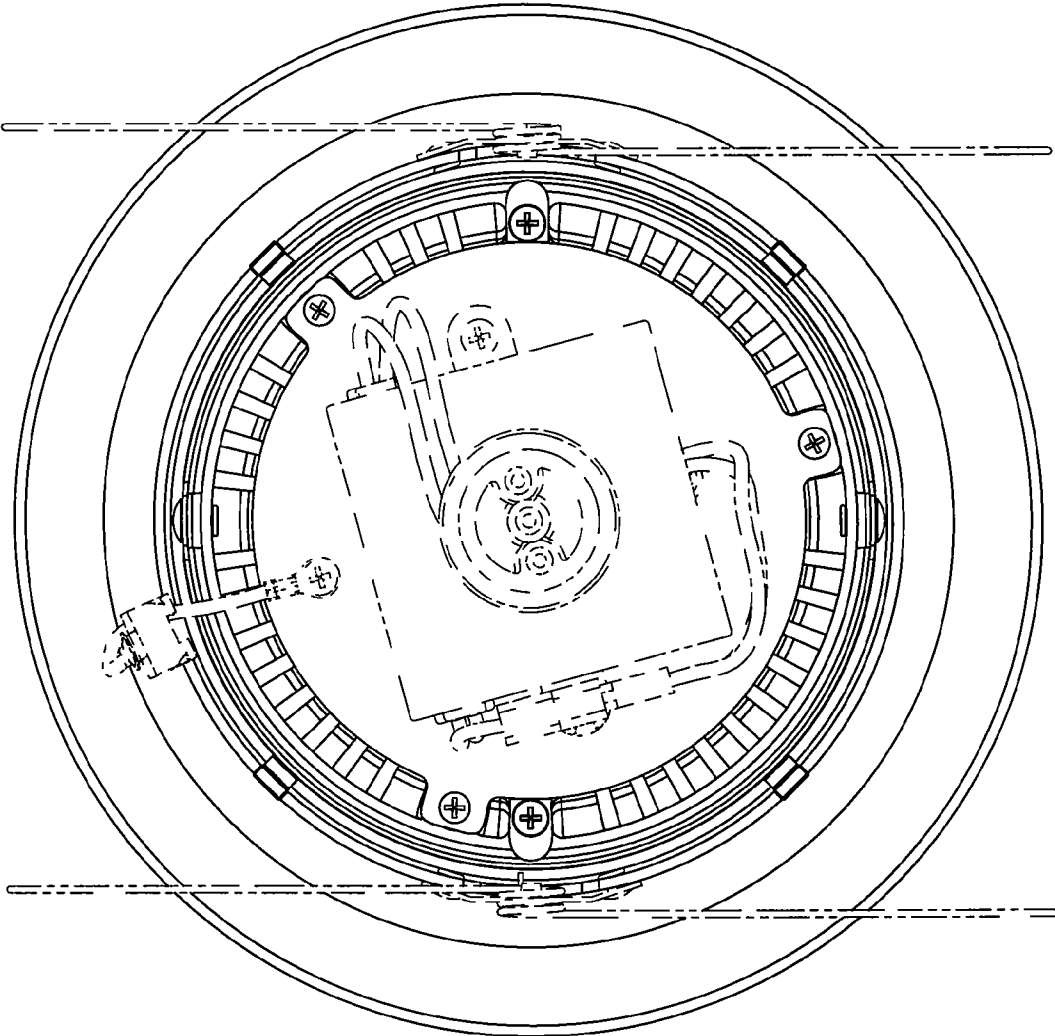


FIG. 12



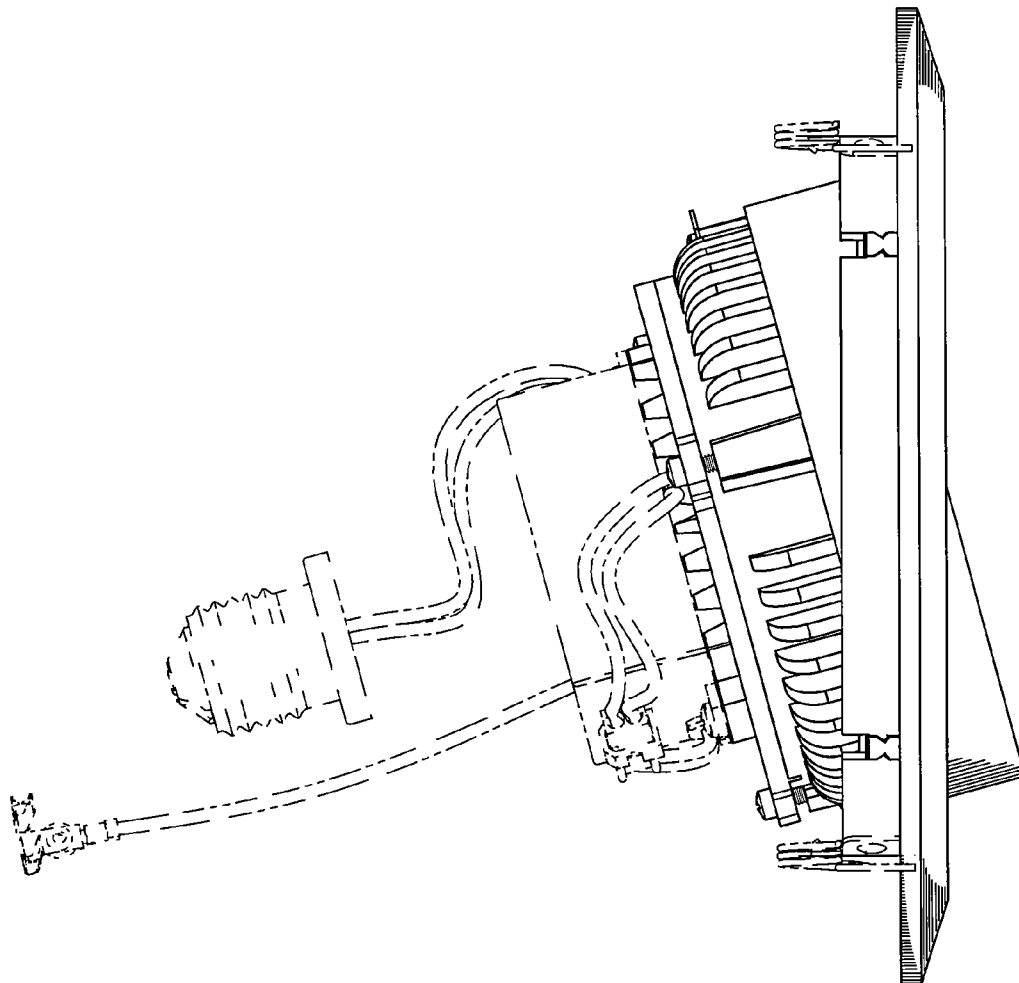


FIG. 13

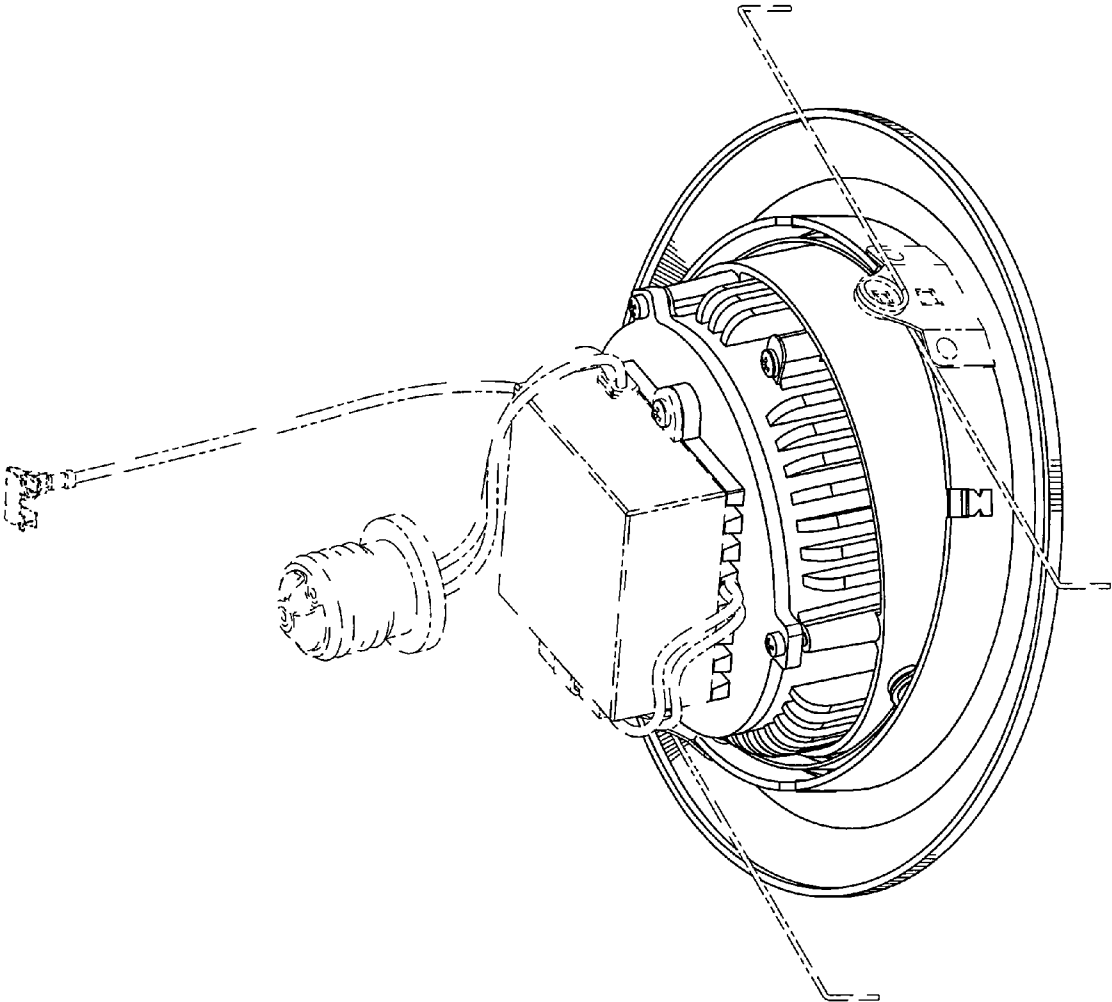


FIG. 14