



(12) **United States Design Patent**
Li

(10) **Patent No.:** **US D1,008,554 S**
(45) **Date of Patent:** **** Dec. 19, 2023**

(54) **LINT REMOVER**

FOREIGN PATENT DOCUMENTS

(71) Applicant: **Shenzhen Maijindian Technology Co., Ltd.**, Shenzhen (CN)

KR 301017533.0000 * 12/2021

(72) Inventor: **Qian Li**, Shenzhen (CN)

OTHER PUBLICATIONS

(73) Assignee: **Shenzhen Maijindian Technology Co., Ltd.**, Shenzhen (CN)

Fabric Shaver Fuzz Remover Rechargeable [online], [site visited Oct. 18, 2023]. Available from internet, URL: <<https://www.amazon.com/Remover-Rechargeable-HOMEASY-Electric-Furniture/dp/B09GXR2MGF/?th=1>> (Year: 2021).*

(**) Term: **15 Years**

(Continued)

(21) Appl. No.: **29/902,082**

Primary Examiner — Cynthia Ramirez

(22) Filed: **Sep. 8, 2023**

Assistant Examiner — Xavier Marti-Santos

(30) **Foreign Application Priority Data**

Aug. 2, 2023 (CN) 202330488045.8

(51) **LOC (14) CL.** **28-03**

(52) **U.S. CL.**
USPC **D28/50; D4/137**

(58) **Field of Classification Search**

USPC D28/9, 10, 44-54; D4/137, 118
CPC B26B 19/14; B26B 19/48; B26B 19/3853;
B26B 19/44; D06C 11/00; A47L 25/08
See application file for complete search history.

(57) **CLAIM**

The ornamental design for a lint remover, as shown and described.

DESCRIPTION

FIG. 1 is a front perspective view of a lint remover, showing my new design;
FIG. 2 is a rear perspective view thereof;
FIG. 3 is a front view thereof;
FIG. 4 is a rear view thereof;
FIG. 5 is a left side view thereof;
FIG. 6 is a right side view thereof;
FIG. 7 is a top view thereof;
FIG. 8 is a bottom view thereof;
FIG. 9 is an enlarged detail view of area 9 in FIG. 1; and,
FIG. 10 is an enlarged detail view of area 10 in FIG. 2.
The broken lines in the drawings illustrate the portions of the lint remover, which form no part of the claimed design.
The dash-dot-dash broken lines encircling the enlarged views are for annotative purposes only and form no part of the claim thereof.

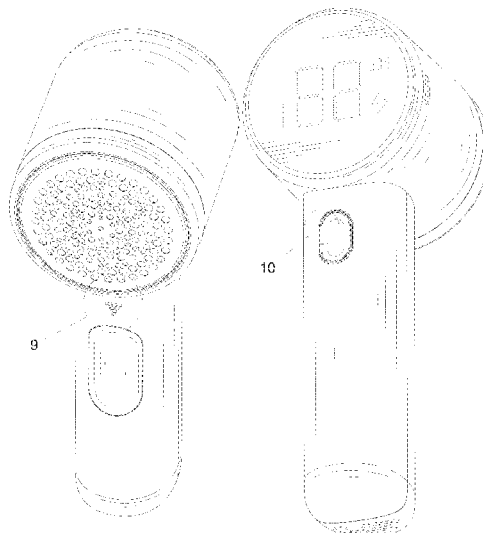
(56) **References Cited**

U.S. PATENT DOCUMENTS

D241,482	S	*	9/1976	Wassenaar	D28/50
D310,890	S	*	9/1990	Ho	D28/50
D459,028	S	*	6/2002	Hsu	D28/50
D513,814	S	*	1/2006	Chen	D28/50
D763,526	S	*	8/2016	Choi	D32/25
D841,244	S	*	2/2019	Hsu	D28/50
D845,544	S	*	4/2019	Hsu	D28/50
D908,961	S	*	1/2021	Yang	D28/50
D911,609	S	*	2/2021	Li	D28/50
D917,890	S	*	5/2021	Cai	D4/137
D930,902	S	*	9/2021	Liu	D28/50
D936,288	S	*	11/2021	Zou	D28/50

(Continued)

1 Claim, 10 Drawing Sheets



(56)

References Cited

U.S. PATENT DOCUMENTS

D974,658 S * 1/2023 Lin D28/50
D975,922 S 1/2023 Zhang

OTHER PUBLICATIONS

Fabric Shaver [online], [site visited Oct. 18, 2023]. Available from internet, URL: <<https://www.amazon.com/dp/B0C325329V/>> (Year: 2023).*

* cited by examiner

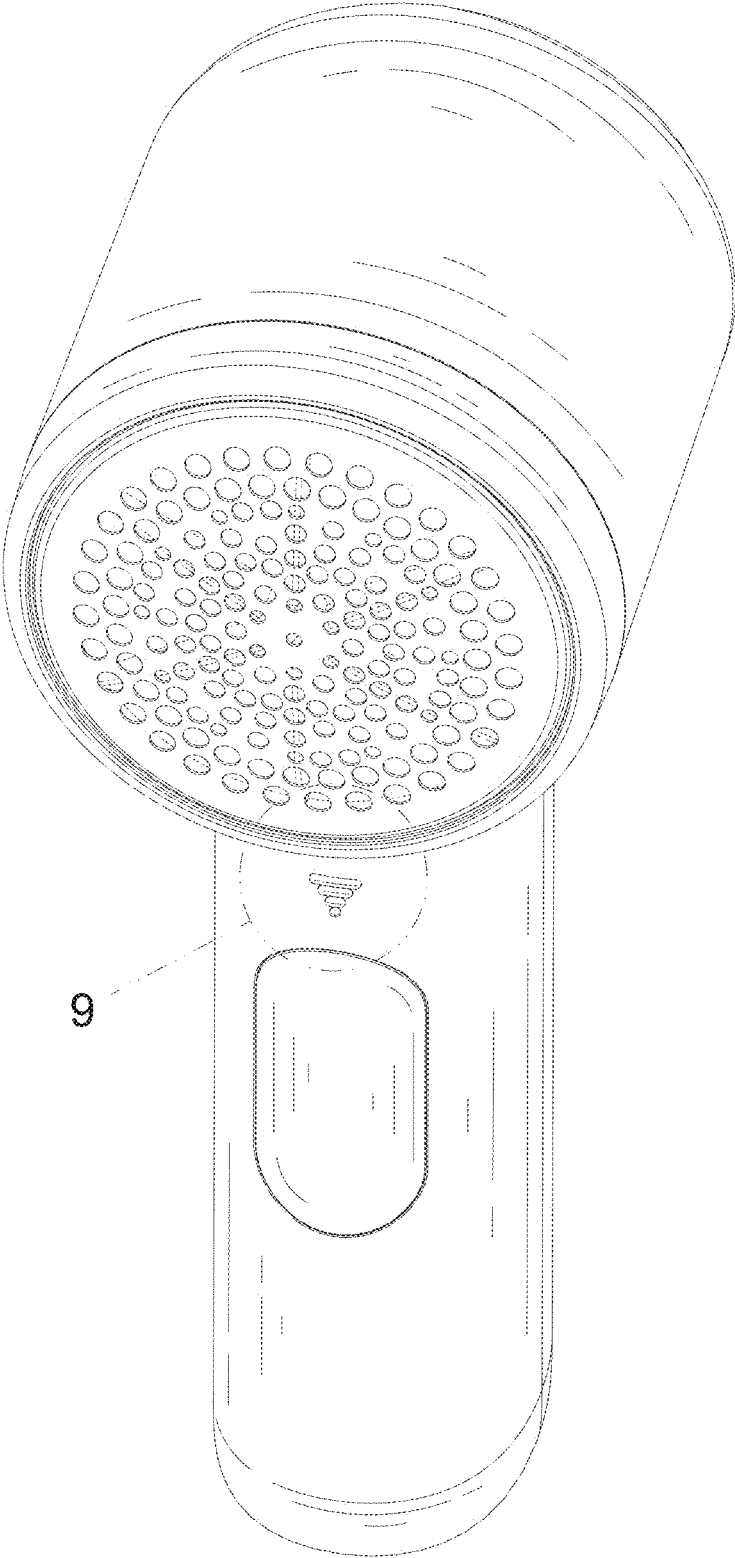


FIG. 1

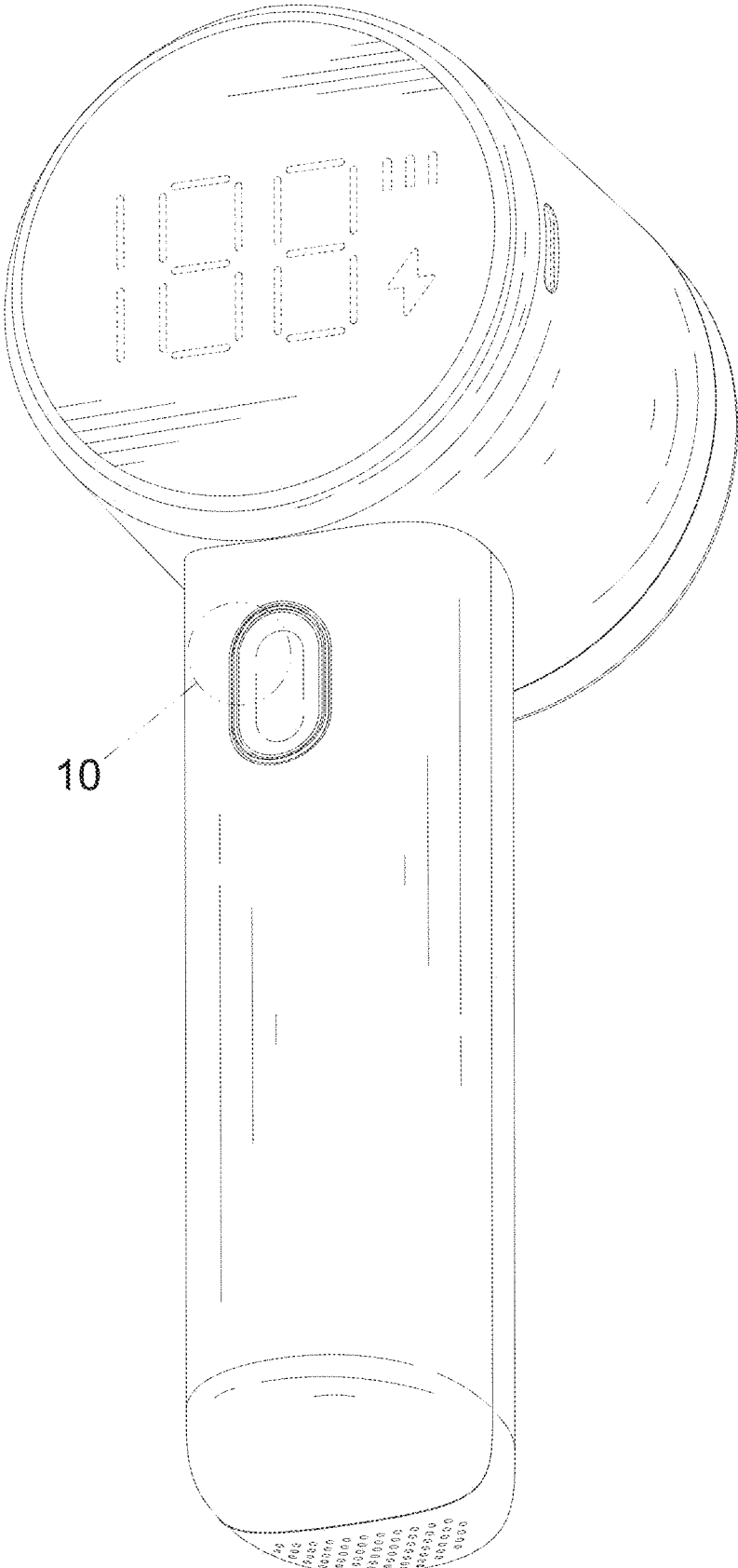


FIG. 2

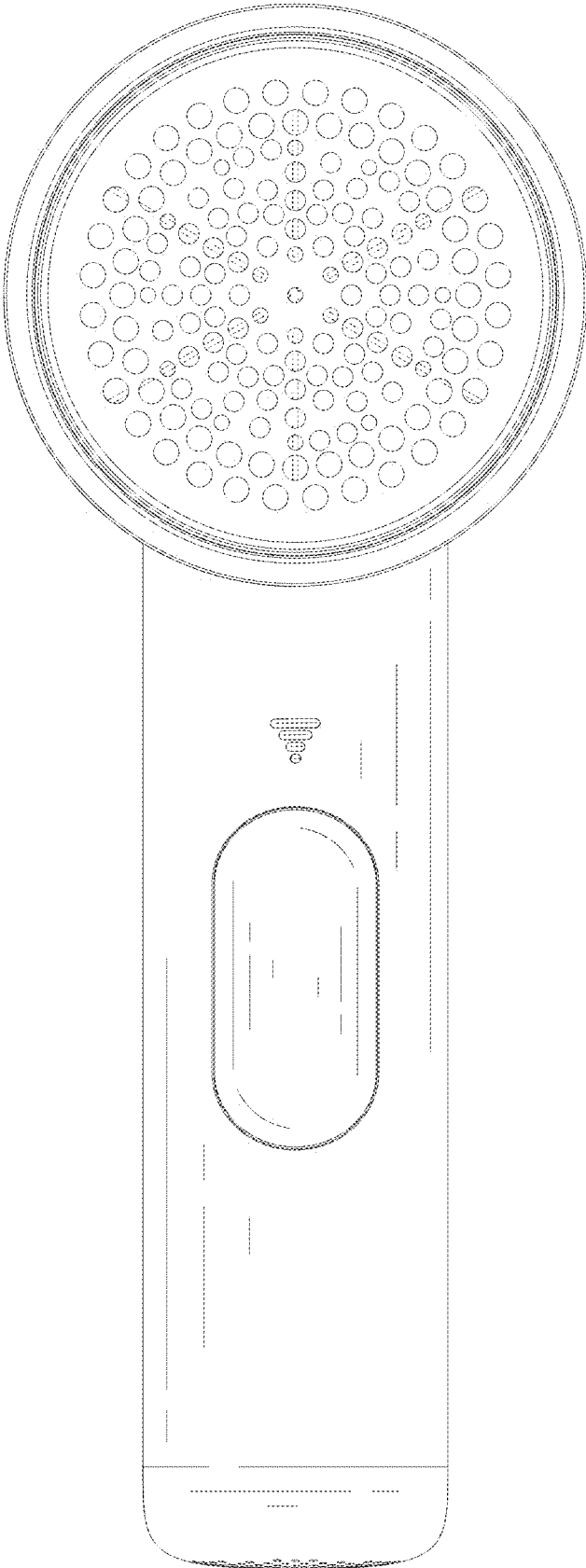


FIG. 3

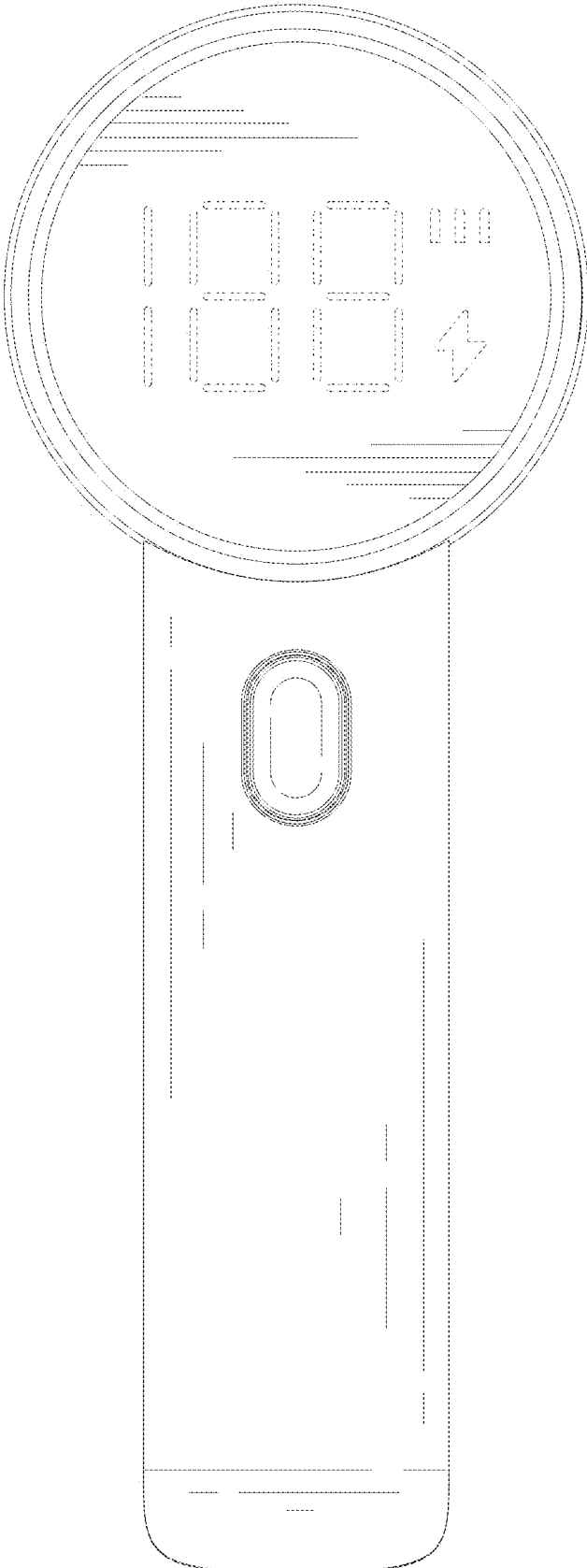


FIG. 4

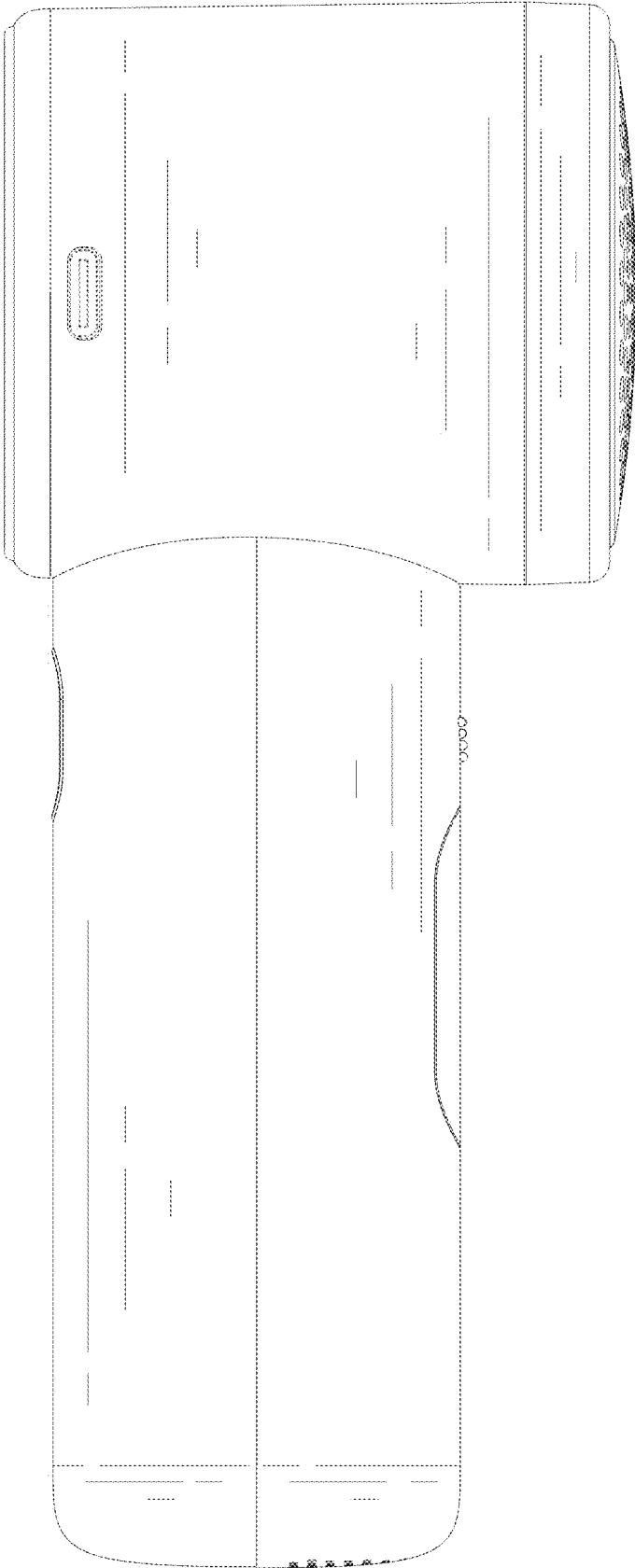


FIG. 5

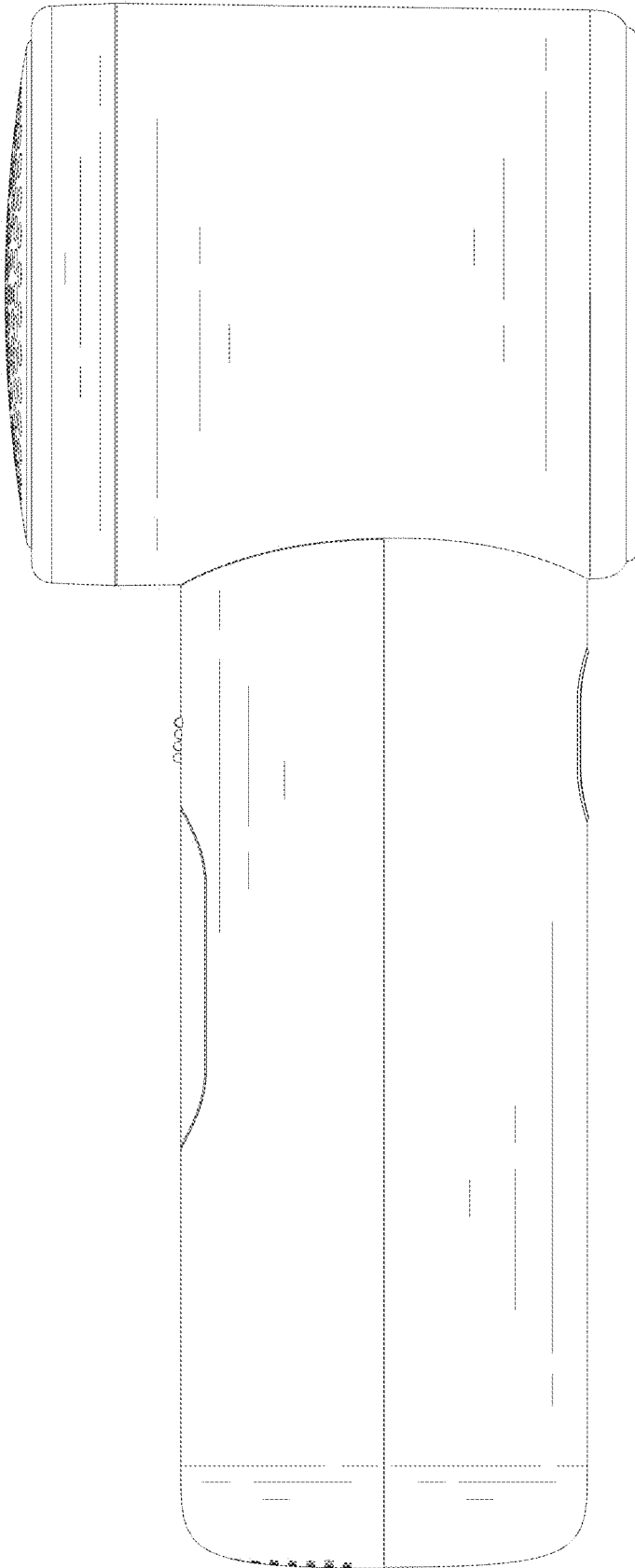


FIG. 6

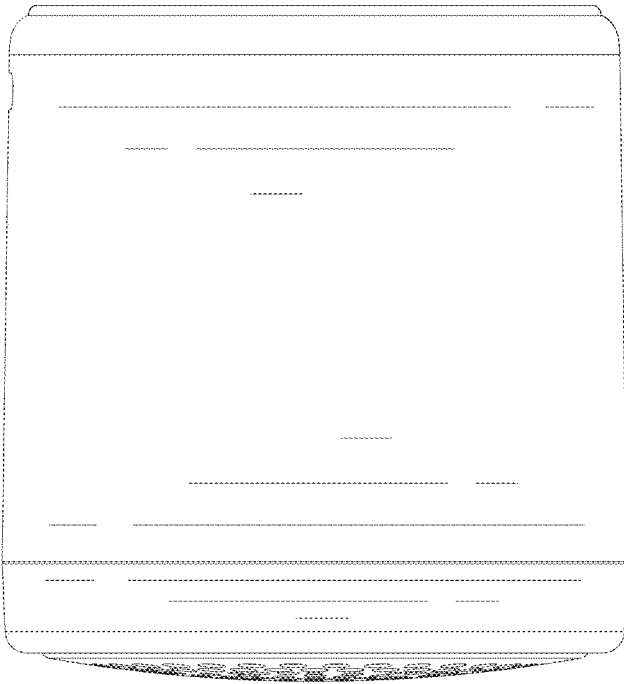


FIG. 7

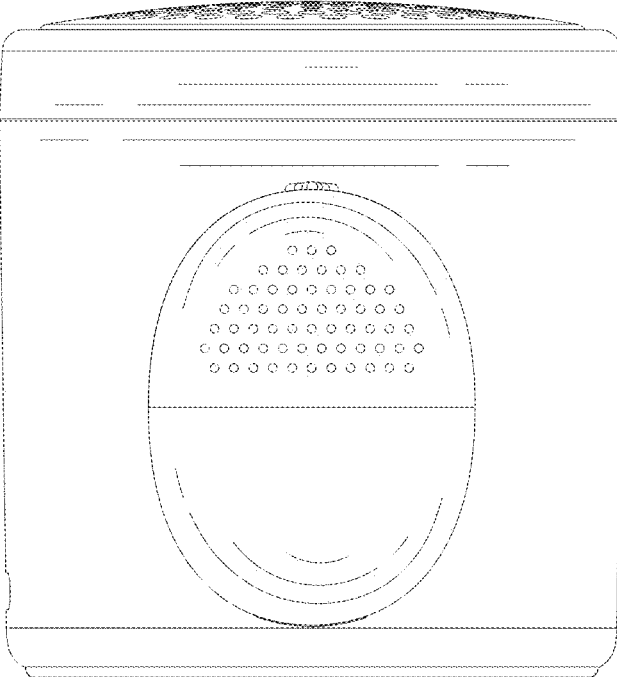


FIG. 8

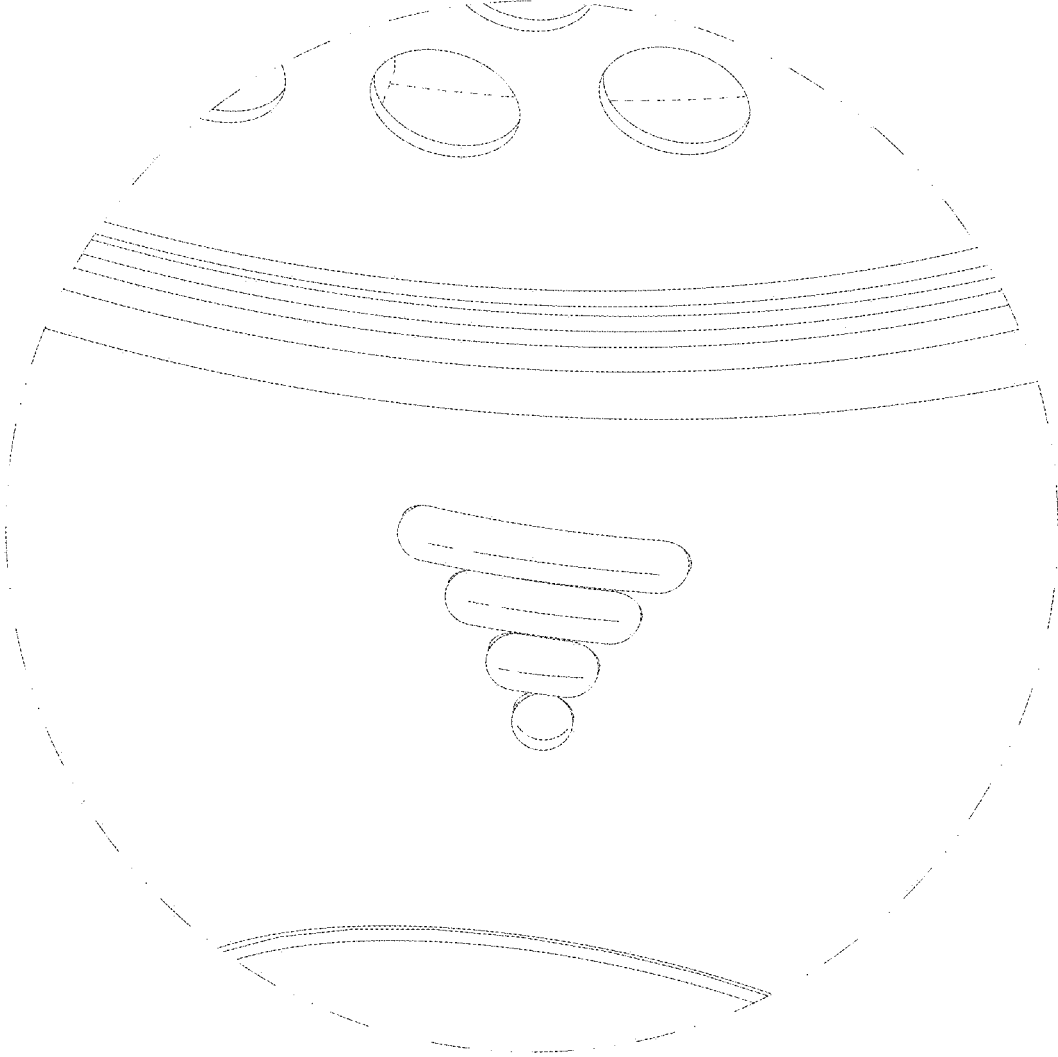


FIG. 9

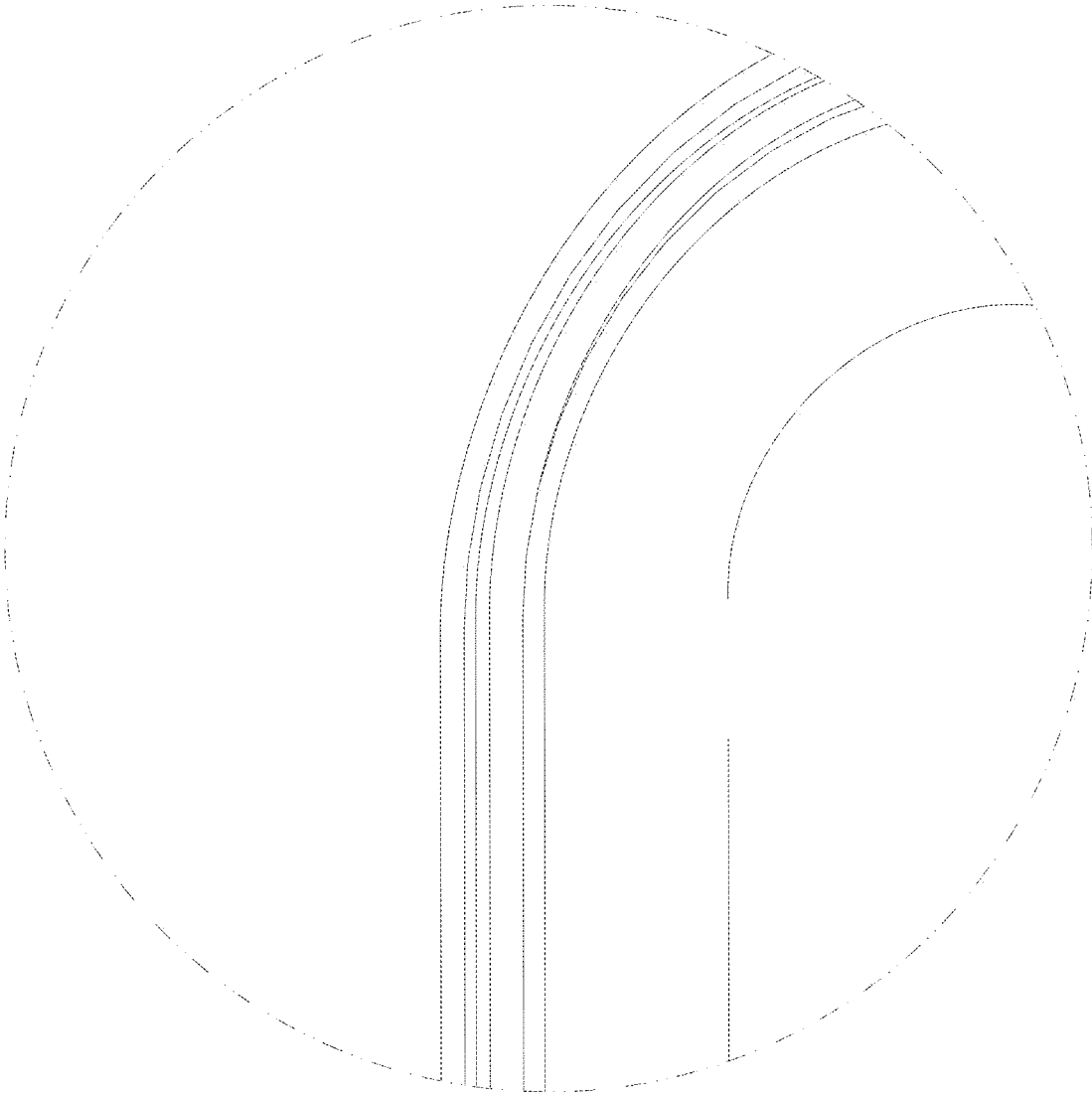


FIG. 10