

(19) World Intellectual Property Organization  
International Bureau



(43) International Publication Date  
7 November 2002 (07.11.2002)

PCT

(10) International Publication Number  
**WO 02/089088 A3**

(51) International Patent Classification<sup>7</sup>: **G01S 13/00**

(21) International Application Number: PCT/US02/13755

(22) International Filing Date: 1 May 2002 (01.05.2002)

(25) Filing Language: English

(26) Publication Language: English

(30) Priority Data:  
09/848,106 2 May 2001 (02.05.2001) US

(71) Applicant (for all designated States except US): **OMAHA AIRPORT AUTHORITY** [US/US]; P.O. Box 19103, Eppley Airfield, Omaha, NE 68119 (US).

(72) Inventor; and

(75) Inventor/Applicant (for US only): **SMITHEY, Donald, L.** [US/US]; 1334 S. 94th Stret, Omaha, NE 68124 (US).

(74) Agent: **LUECK, Gary**; Christie, Parker & Hale, LLP, P.O. Box 7068, Pasadena, CA 91109-7068 (US).

(81) Designated States (national): AE, AG, AL, AM, AT, AU, AZ, BA, BB, BG, BR, BY, BZ, CA, CH, CN, CO, CR, CU, CZ, DE, DK, DM, DZ, EC, EE, ES, FI, GB, GD, GE, GH, GM, HR, HU, ID, IL, IN, IS, JP, KE, KG, KP, KR, KZ, LC, LK, LR, LS, LT, LU, LV, MA, MD, MG, MK, MN, MW, MX, MZ, NO, NZ, OM, PH, PL, PT, RO, RU, SD, SE, SG, SI, SK, SL, TJ, TM, TN, TR, TT, TZ, UA, UG, US, UZ, VN, YU, ZA, ZM, ZW.

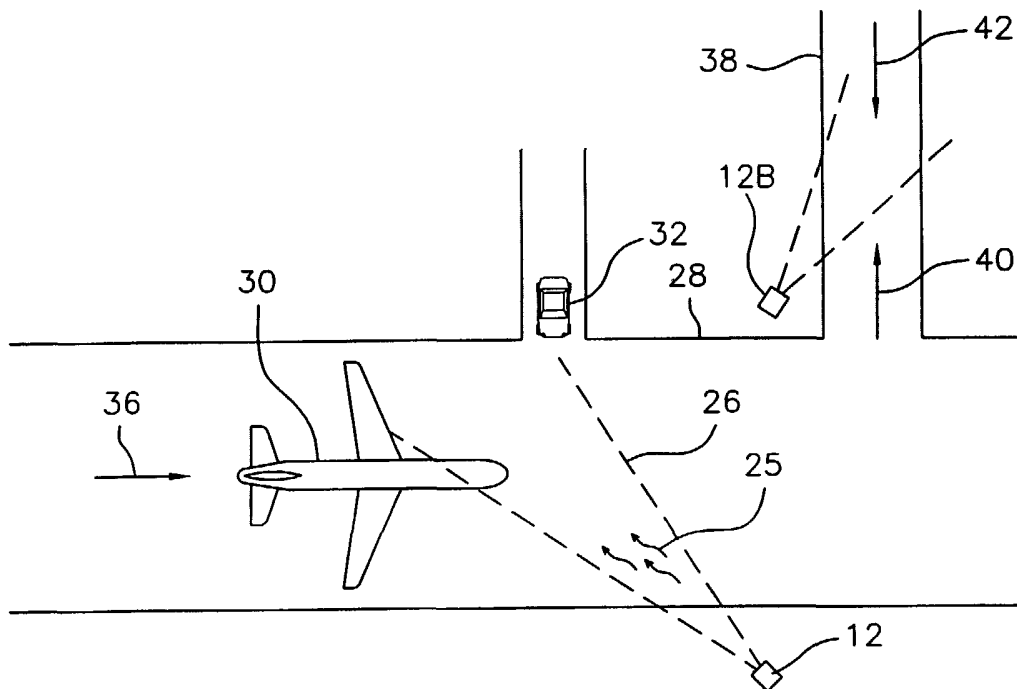
(84) Designated States (regional): ARIPO patent (GH, GM, KE, LS, MW, MZ, SD, SL, SZ, TZ, UG, ZM, ZW), Eurasian patent (AM, AZ, BY, KG, KZ, MD, RU, TJ, TM), European patent (AT, BE, CH, CY, DE, DK, ES, FI, FR, GB, GR, IE, IT, LU, MC, NL, PT, SE, TR), OAPI patent (BF, BJ, CF, CG, CI, CM, GA, GN, GQ, GW, ML, MR, NE, SN, TD, TG).

Published:  
— with international search report

(88) Date of publication of the international search report:  
21 August 2003

[Continued on next page]

(54) Title: RUNWAY INCURSION DETECTION AND WARNING SYSTEM



(57) Abstract: An aircraft (30) landing on a runway (28) and moving in a certain direction (36) is directed to exit the runway (28) on a particular exit taxiway (38). While on the runway (28), the aircraft (30) passes through a cone-shaped dispersion pattern (26) from a microwave transceiver (12). The transceiver (12) uses the Doppler principle. Another transceiver (12B) detects the aircraft (30) to ensure that it is travelling in the correct direction (40), and not in the forbidden direction (42).



WO 02/089088 A3



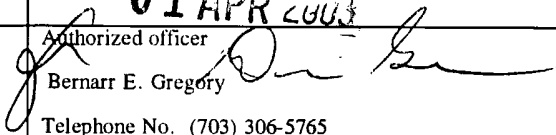
---

*For two-letter codes and other abbreviations, refer to the "Guidance Notes on Codes and Abbreviations" appearing at the beginning of each regular issue of the PCT Gazette.*

**INTERNATIONAL SEARCH REPORT**

International application No.

PCT/US02/13755

<b>A. CLASSIFICATION OF SUBJECT MATTER</b>				
IPC(7) : G01S 13/00				
US CL : 342/29				
According to International Patent Classification (IPC) or to both national classification and IPC				
<b>B. FIELDS SEARCHED</b>				
Minimum documentation searched (classification system followed by classification symbols) U.S. : 342/29, 26, 27, 28, 30-41, 175, 195; 340/933, 945, 947-961				
Documentation searched other than minimum documentation to the extent that such documents are included in the fields searched				
Electronic data base consulted during the international search (name of data base and, where practicable, search terms used)				
<b>C. DOCUMENTS CONSIDERED TO BE RELEVANT</b>				
Category *	Citation of document, with indication, where appropriate, of the relevant passages	Relevant to claim No.		
A	US 5,508,697 A (KATO et al) 16 April 1996 (16.04.1996), see abstract.	1-22		
A	US 5,530,440 A (DANZER et al) 25 June 1996 (25.06.1996), see abstract.	1-22		
A	US 5,557,278 A (PICCIRILLO et al) 17 September 1996 (17.09.1996), see abstract.	1-22		
A	US 5,629,691 A (JAIN) 13 May 1997 (13.05.1997), see abstract.	1-22		
A	US 5,724,040 A (WATNICK) 03 March 1998 (03.03.1998), see abstract.	1-22		
<input type="checkbox"/> Further documents are listed in the continuation of Box C. <input type="checkbox"/> See patent family annex.				
* Special categories of cited documents: <table border="0" style="width: 100%;"> <tr> <td style="width: 50%;">           "A" document defining the general state of the art which is not considered to be of particular relevance            "E" earlier application or patent published on or after the international filing date            "L" document which may throw doubts on priority claim(s) or which is cited to establish the publication date of another citation or other special reason (as specified)            "O" document referring to an oral disclosure, use, exhibition or other means            "P" document published prior to the international filing date but later than the priority date claimed         </td> <td style="width: 50%;">           "T" later document published after the international filing date or priority date and not in conflict with the application but cited to understand the principle or theory underlying the invention            "X" document of particular relevance; the claimed invention cannot be considered novel or cannot be considered to involve an inventive step when the document is taken alone            "Y" document of particular relevance; the claimed invention cannot be considered to involve an inventive step when the document is combined with one or more other such documents, such combination being obvious to a person skilled in the art            "&amp;" document member of the same patent family         </td> </tr> </table>			"A" document defining the general state of the art which is not considered to be of particular relevance "E" earlier application or patent published on or after the international filing date "L" document which may throw doubts on priority claim(s) or which is cited to establish the publication date of another citation or other special reason (as specified) "O" document referring to an oral disclosure, use, exhibition or other means "P" document published prior to the international filing date but later than the priority date claimed	"T" later document published after the international filing date or priority date and not in conflict with the application but cited to understand the principle or theory underlying the invention "X" document of particular relevance; the claimed invention cannot be considered novel or cannot be considered to involve an inventive step when the document is taken alone "Y" document of particular relevance; the claimed invention cannot be considered to involve an inventive step when the document is combined with one or more other such documents, such combination being obvious to a person skilled in the art "&" document member of the same patent family
"A" document defining the general state of the art which is not considered to be of particular relevance "E" earlier application or patent published on or after the international filing date "L" document which may throw doubts on priority claim(s) or which is cited to establish the publication date of another citation or other special reason (as specified) "O" document referring to an oral disclosure, use, exhibition or other means "P" document published prior to the international filing date but later than the priority date claimed	"T" later document published after the international filing date or priority date and not in conflict with the application but cited to understand the principle or theory underlying the invention "X" document of particular relevance; the claimed invention cannot be considered novel or cannot be considered to involve an inventive step when the document is taken alone "Y" document of particular relevance; the claimed invention cannot be considered to involve an inventive step when the document is combined with one or more other such documents, such combination being obvious to a person skilled in the art "&" document member of the same patent family			
Date of the actual completion of the international search		Date of mailing of the international search report		
03 July 2002 (03.07.2002)		01 APR 2003		
Name and mailing address of the ISA/US Commissioner of Patents and Trademarks Box PCT Washington, D.C. 20231 Facsimile No. (703)305-3230		Authorized officer  Bernarr E. Gregory Telephone No. (703) 306-5765		