



US00D645952S

(12) **United States Design Patent**
Peterson et al.

(10) **Patent No.:** **US D645,952 S**

(45) **Date of Patent:** **** Sep. 27, 2011**

(54) **FAN GRILLE**

(75) Inventors: **Christopher Donald Peterson**,
Arlington Heights, IL (US); **Henry**
Haiying Wu, Chicago, IL (US)

(73) Assignee: **Camair LLC**, Chicago, IL (US)

(**) Term: **14 Years**

(21) Appl. No.: **29/364,467**

(22) Filed: **Jun. 24, 2010**

Related U.S. Application Data

(62) Division of application No. 29/340,850, filed on Jul. 27, 2009, now Pat. No. Des. 621,025.

(51) **LOC (9) Cl.** **23-04**

(52) **U.S. Cl.** **D23/411**

(58) **Field of Classification Search** D23/411,
D23/370, 381, 382, 332, 412, 335; 416/244 R,
416/247 R

See application file for complete search history.

(56) **References Cited**

U.S. PATENT DOCUMENTS

- 4,927,324 A 5/1990 Coup et al.
- D312,124 S 11/1990 Coup et al.
- D325,629 S 4/1992 Coup et al.
- D326,318 S 5/1992 Coup et al.
- D329,089 S 9/1992 Coup et al.
- RE34,551 E 2/1994 Coup et al.
- D346,019 S 4/1994 Cheslock et al.
- D376,005 S 11/1996 Litvin
- 5,609,473 A 3/1997 Litvin
- D391,631 S 3/1998 Litvin
- D392,735 S 3/1998 Gonzales et al.
- D397,201 S 8/1998 Ediger et al.
- D398,983 S 9/1998 Keller et al.
- D400,242 S 10/1998 Litvin
- 5,829,956 A 11/1998 Chen et al.

- D402,363 S 12/1998 Birdsell et al.
- D407,478 S 3/1999 Wilson, Jr.
- D408,907 S 4/1999 Moreno
- D409,298 S 5/1999 Litvin
- D409,300 S 5/1999 Moreno
- D413,664 S 9/1999 Keller et al.
- D413,685 S 9/1999 Lasko et al.
- D416,996 S 11/1999 Mack
- 6,015,265 A 1/2000 Lasko et al.
- D421,114 S 2/2000 Lozzio et al.
- D429,326 S 8/2000 Fok
- 6,120,248 A 9/2000 Litvin et al.
- 6,126,415 A 10/2000 Lasko
- D441,065 S 4/2001 Ediger et al.
- D444,222 S 6/2001 Wilson, Jr.
- D444,871 S 7/2001 Wilson, Jr.
- D451,190 S 11/2001 Chen et al.
- D451,594 S 12/2001 Chen et al.
- D451,595 S 12/2001 Chen et al.

(Continued)

OTHER PUBLICATIONS

U.S. Trademark Registration No. 1697509, Jun. 30, 1992, 1 page.

(Continued)

Primary Examiner — Lisa Lichtenstein

(74) *Attorney, Agent, or Firm* — Fitch, Even, Tabin & Flannery

(57) **CLAIM**

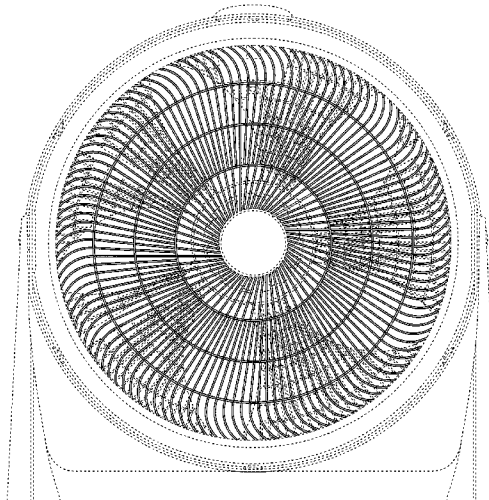
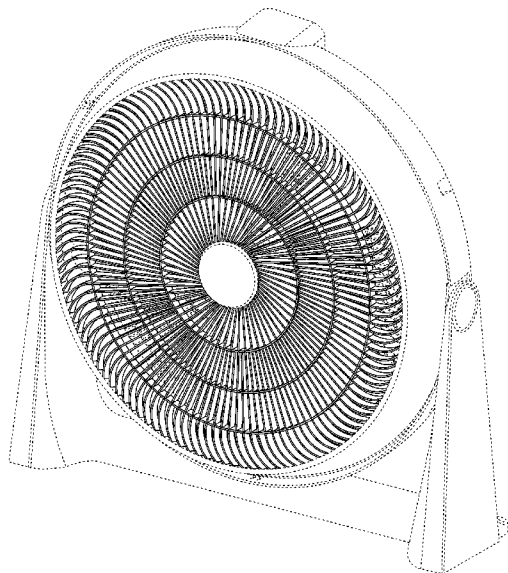
The ornamental design for a fan grille, as shown and described.

DESCRIPTION

FIG. 1 is a perspective view of a fan grille in accordance with our new design; and,

FIG. 2 is a front elevational view of the fan grille of FIG. 1. The broken lines showing a fan housing and stand are included for the purpose of illustrating environmental structure and form no part of the claimed design.

1 Claim, 2 Drawing Sheets



US D645,952 S

Page 2

U.S. PATENT DOCUMENTS

6,454,537	B1	9/2002	Perella et al.	D594,102	S	6/2009	Israel et al.	
D467,326	S	12/2002	Shapiro	D596,284	S	7/2009	Ediger et al.	
6,585,489	B2	7/2003	Perella et al.	D597,196	S	7/2009	Ediger et al.	
D482,440	S	11/2003	Wilson, Jr.	D597,640	S	8/2009	Israel et al.	
D482,778	S	11/2003	Shapiro	D597,641	S	8/2009	Israel et al.	
D482,779	S	11/2003	Shapiro	D599,463	S	9/2009	Israel et al.	
D483,473	S	12/2003	Shapiro	D608,437	S	1/2010	Wawoe et al.	
D484,234	S	12/2003	Wilson, Jr.	D621,025	S *	8/2010	Peterson et al. D23/382
D486,900	S	2/2004	Keller et al.	2003/0235501	A1	12/2003	Herndon et al.	
D513,437	S	1/2006	Wilhelm	2005/0093387	A1	5/2005	Chen et al.	
D537,516	S	2/2007	Ediger et al.	2008/0089798	A1	4/2008	Litvin	
D566,830	S	4/2008	Lewis					
D567,934	S	4/2008	Shapiro					
D582,531	S	12/2008	Israel et al.					
7,530,783	B1	5/2009	Ediger					

OTHER PUBLICATIONS

U.S. Trademark Registration No. 2383447, Sep. 5, 2000, 1 page.

* cited by examiner

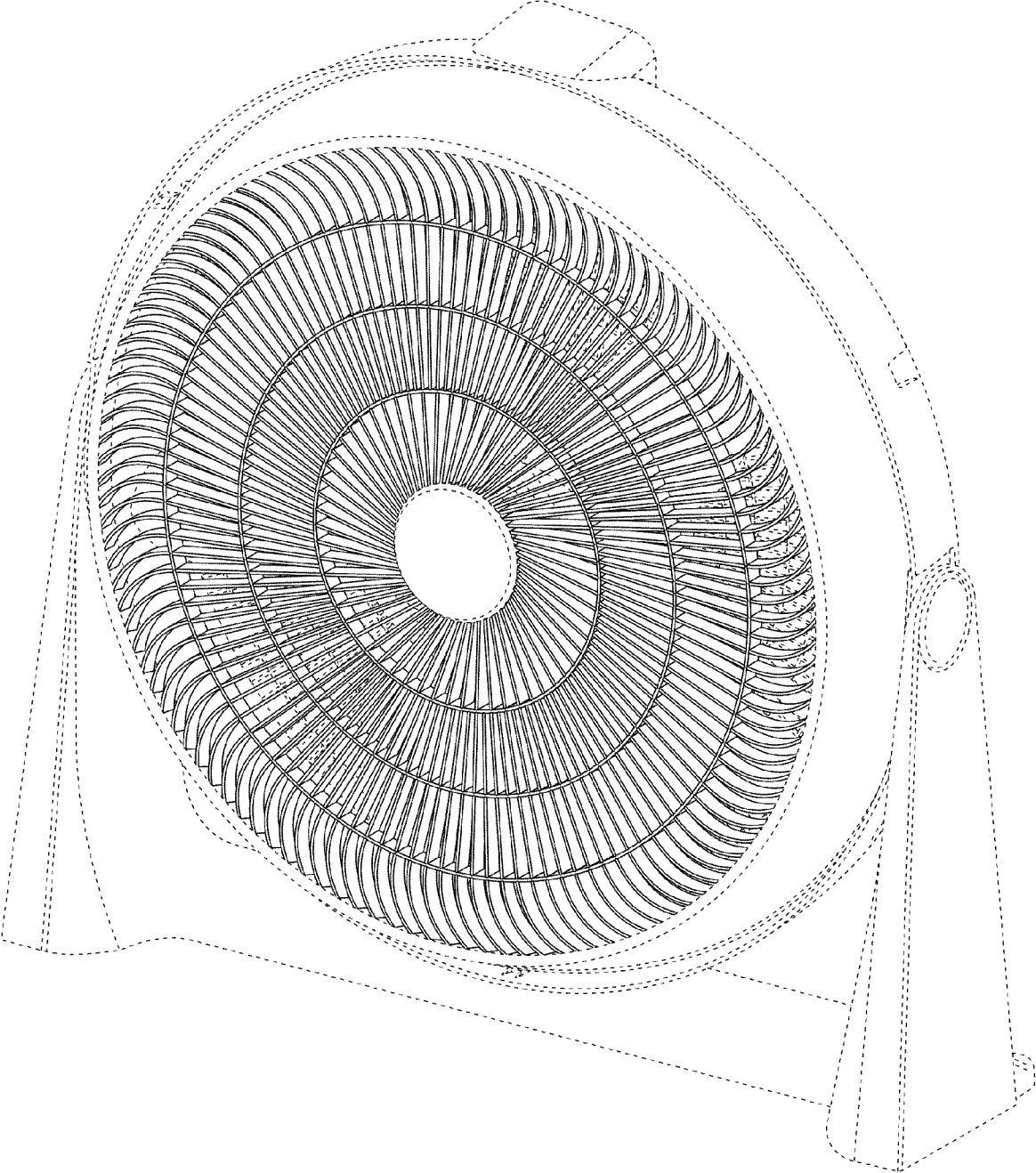


FIG. 1

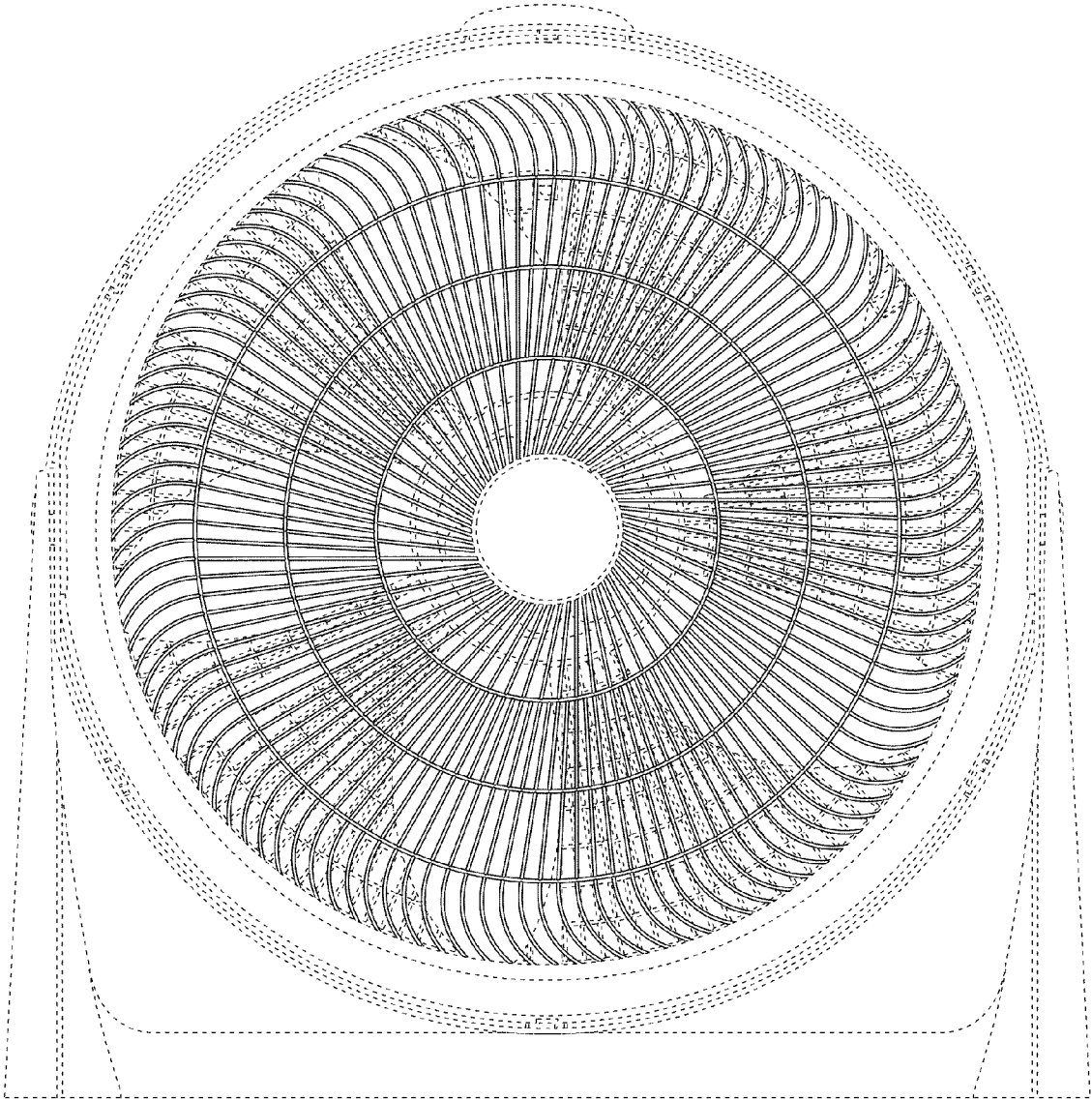


FIG. 2