



(12) **United States Design Patent**
McPherson

(10) **Patent No.:** **US D782,595 S**
(45) **Date of Patent:** **** Mar. 28, 2017**

(54) **COMPOUND BOW WITH CIRCULAR ROTATING MEMBERS**

(71) Applicant: **MCP IP, LLC**, Sparta, WI (US)

(72) Inventor: **Mathew A. McPherson**, Norwalk, WI (US)

(73) Assignee: **MCP IP, LLC**, Sparta, WI (US)

(**) Term: **15 Years**

(21) Appl. No.: **29/542,743**

(22) Filed: **Oct. 16, 2015**

(51) **LOC (10) CL.** **22-01**

(52) **U.S. CL.**
USPC **D22/107**

(58) **Field of Classification Search**
USPC D22/107; D21/571, 575
CPC .. F41B 5/1403; F41B 5/10; F41B 5/14; F41B 5/0031; F41B 5/00; F41B 5/1484; F16F 7/108

See application file for complete search history.

(56) **References Cited**

U.S. PATENT DOCUMENTS

3,486,495	A	12/1969	Allen
3,990,425	A	11/1976	Ketchum
4,078,538	A	3/1978	Shepley
4,337,749	A	7/1982	Barna
4,338,910	A	7/1982	Darlington
4,440,142	A	4/1984	Simonds
4,461,267	A	7/1984	Simonds et al.
4,515,142	A	5/1985	Nurney
4,519,374	A	5/1985	Miller
4,660,536	A	4/1987	McPherson
4,774,927	A	10/1988	Larson
4,926,833	A	5/1990	Darlington
4,967,721	A	11/1990	Larson

5,211,155	A	5/1993	Zamojski	
5,368,006	A	11/1994	McPherson	
5,381,777	A	1/1995	Mitchell et al.	
5,505,185	A	4/1996	Miller	
5,649,522	A *	7/1997	Troncoso F41B 5/105
				124/25.6
5,678,529	A	10/1997	Larson	
5,782,229	A	7/1998	Evans et al.	
5,791,323	A	8/1998	Dunlap	
5,890,480	A	4/1999	McPherson	
5,934,265	A	8/1999	Darlington	
5,960,778	A	10/1999	Larson	
6,035,840	A	3/2000	McPherson	

(Continued)

Primary Examiner — Michael A Pratt

(57) **CLAIM**

The ornamental design for a compound bow with circular rotating members, as shown and described.

DESCRIPTION

FIG. 1 is an angled isometric view of the compound bow with circular rotating members.

FIG. 2 is a left side view of the compound bow with circular rotating members.

FIG. 3 is a right side view of the compound bow with circular rotating members.

FIG. 4 is a front view of the compound bow with circular rotating members.

FIG. 5 is a back view of the compound bow with circular rotating members.

FIG. 6 is a top view of the compound bow with circular rotating members; and,

FIG. 7 is a bottom view of the compound bow with circular rotating members.

The broken lines in the Figures are for illustrative purposes only. The broken lines form no portion of the claimed design.

1 Claim, 5 Drawing Sheets



(56)

References Cited

U.S. PATENT DOCUMENTS

6,082,347	A	7/2000	Darlington						
6,112,732	A	9/2000	Larson						
6,247,466	B1	6/2001	McPherson						
6,321,736	B1	11/2001	McPherson						
6,443,139	B1	9/2002	McPherson						
6,516,790	B1 *	2/2003	Darlington	F41B 5/10				
									124/25.6
6,575,153	B2 *	6/2003	Lommasson	F41B 5/10				
									124/25.6
6,666,202	B1	12/2003	Darlington						
6,688,295	B1	2/2004	Miller						
6,792,930	B1	9/2004	Kronengold et al.						
6,990,970	B1	1/2006	Darlington						
6,994,079	B1	2/2006	Darlington						
7,047,958	B1	5/2006	Colley						
7,082,937	B1 *	8/2006	Land	F41B 5/105				
									124/25.6
7,143,757	B1	12/2006	Cooper						
7,188,615	B2	3/2007	Chang						
7,305,979	B1	12/2007	Yehle						
7,441,555	B1	10/2008	Larson						
7,543,390	B2 *	6/2009	Bach	F41G 1/467				
									124/87
7,698,824	B2 *	4/2010	Wilson	F41G 1/01				
									124/87
D623,252	S *	9/2010	Pellegrini	D22/107				
7,946,281	B2	5/2011	Miller						
7,975,391	B1 *	7/2011	Gillingham	F41G 1/467				
									124/87
8,020,544	B2	9/2011	McPherson et al.						
8,220,446	B2 *	7/2012	Batdorf	F41B 5/10				
									124/25.6
8,485,169	B2 *	7/2013	Dahl, II	F41B 5/10				
									124/25.6
8,522,762	B2 *	9/2013	Trpkovski	F41B 5/0094				
									124/23.1
D694,353	S *	11/2013	Barnett	D22/107				
8,671,925	B2 *	3/2014	Grace	F41B 5/10				
									124/25.6
8,683,989	B1 *	4/2014	McPherson	F41B 5/10				
									124/25.6
9,046,317	B2 *	6/2015	McPherson	F41B 5/1426				
9,146,072	B2 *	9/2015	McPherson	F41B 5/10				
9,297,604	B1 *	3/2016	Sidebottom	F41B 5/123				
9,389,040	B2 *	7/2016	McPherson	F41B 5/10				
D766,395	S *	9/2016	McPherson	D22/107				
9,494,380	B1 *	11/2016	Yehle	F41B 5/12				
2008/0135032	A1	6/2008	Islas						
2009/0000607	A1	1/2009	Miller						
2014/0209081	A1 *	7/2014	McPherson	F41B 5/105				
									124/25.6
2015/0114378	A1 *	4/2015	Trpkovski	F41B 5/0094				
									124/25.6
2015/0345890	A1 *	12/2015	McPherson	F41B 5/105				
									124/25.6
2015/0345891	A1 *	12/2015	McPherson	F41B 5/1403				
									124/25.6
2016/0216058	A1 *	7/2016	Sidebottom	F41B 5/10				
2017/0003095	A1 *	1/2017	Trpkovski	F41B 5/0094				

* cited by examiner

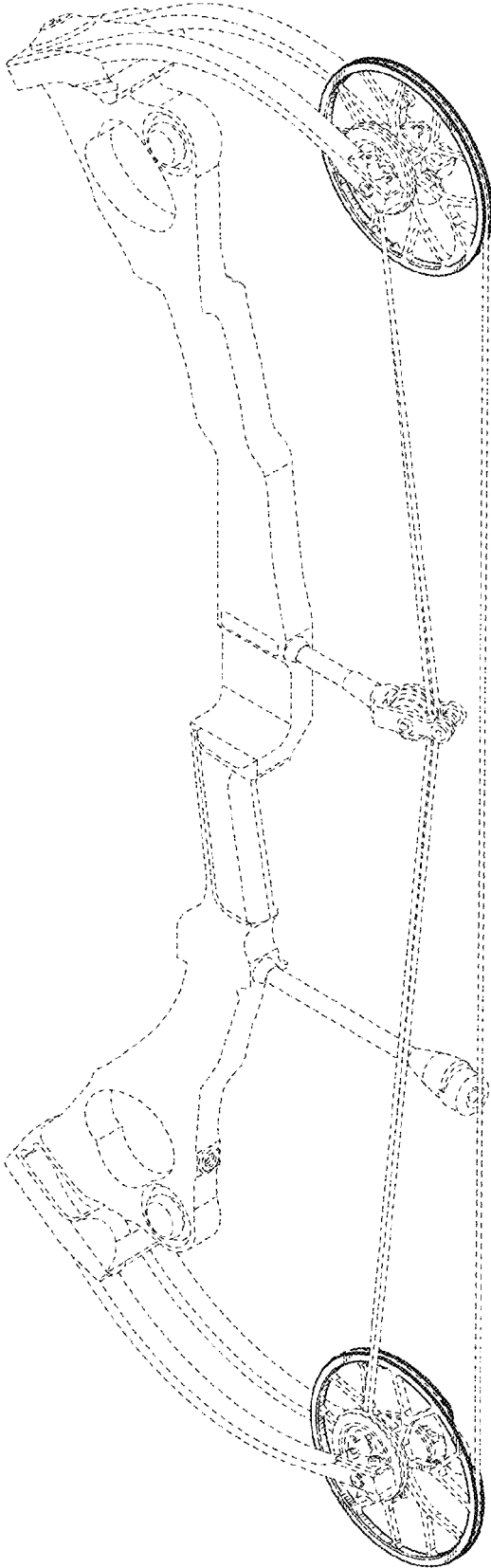


FIG. 1

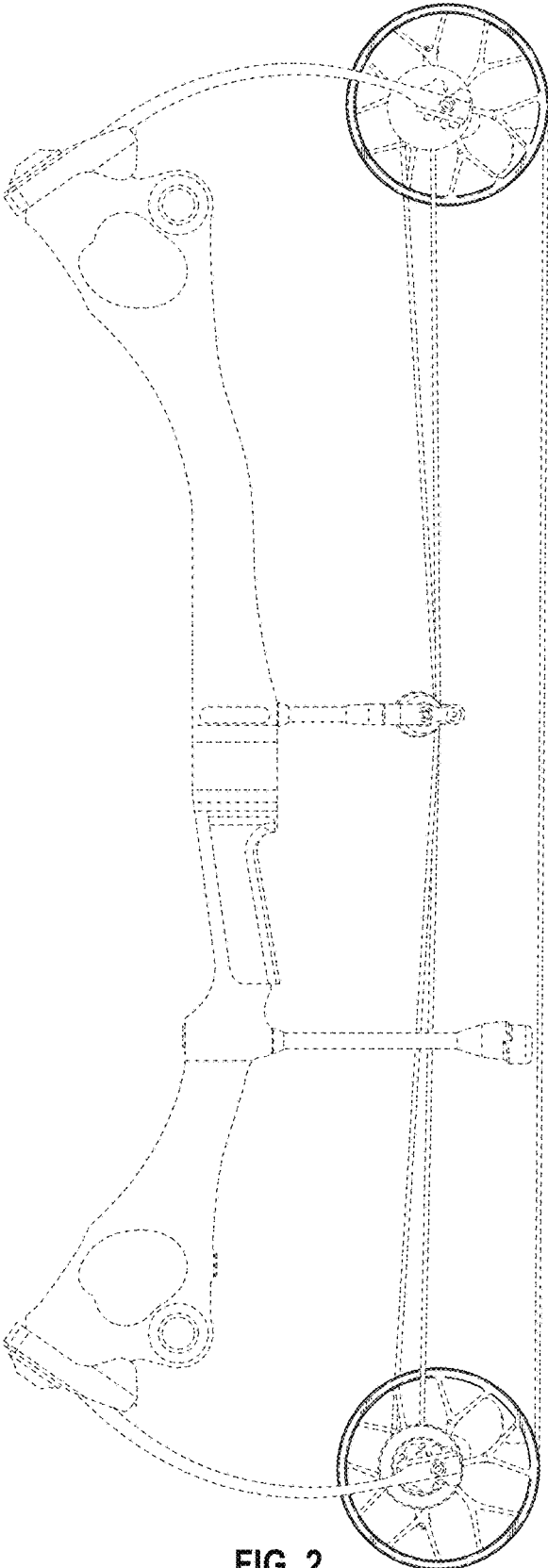


FIG. 2

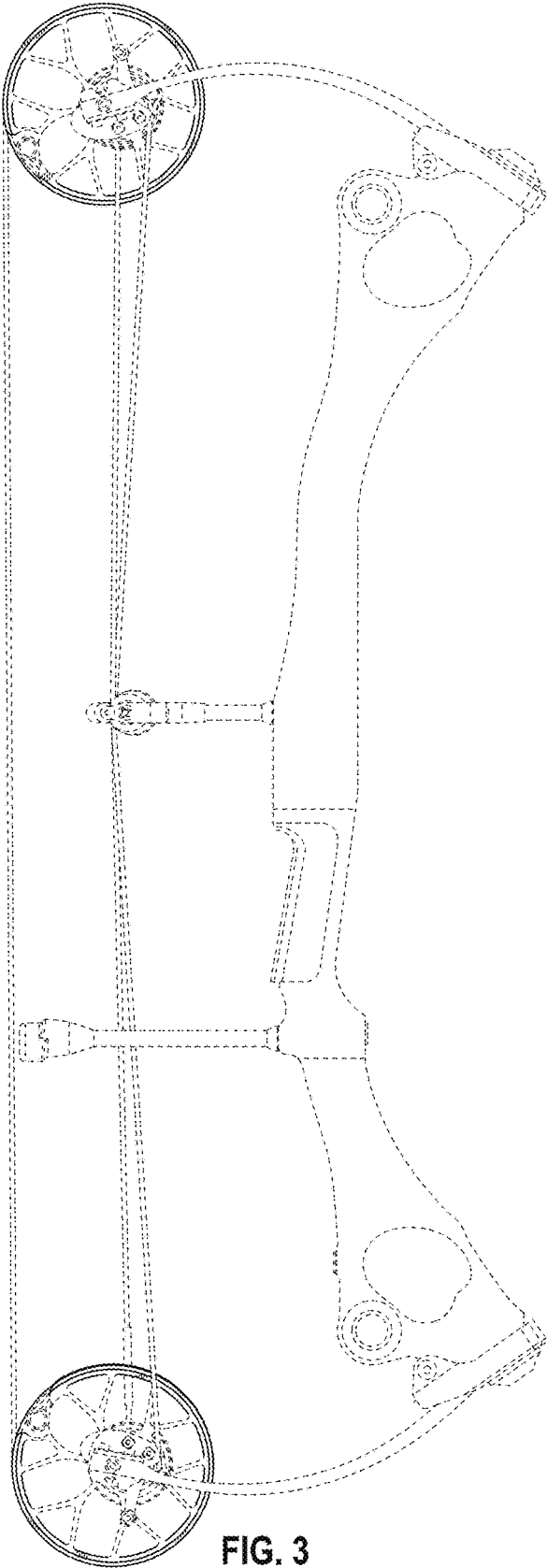


FIG. 3

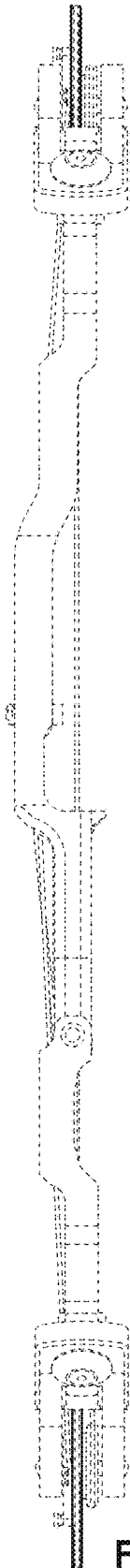


FIG. 4



FIG. 5

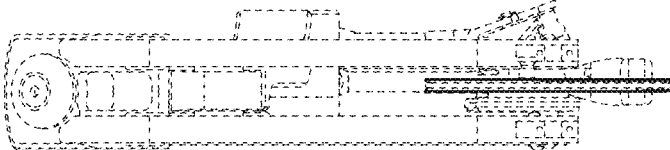


FIG. 6

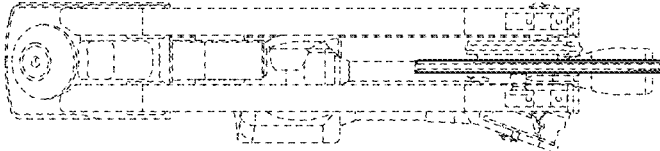


FIG. 7