



US00D960484S

(12) **United States Design Patent**  
**Li**

(10) **Patent No.:** **US D960,484 S**

(45) **Date of Patent:** **\*\* Aug. 9, 2022**

- (54) **FORKLIFT**
- (71) Applicant: **Hangzhou Hikrobot Technology Co., Ltd.**, Zhejiang (CN)
- (72) Inventor: **Kongxin Li**, Zhejiang (CN)
- (73) Assignee: **Hangzhou Hikrobot Technology Co., Ltd.**, Zhejiang (CN)

D942,108 S \* 1/2022 Li ..... B66F 9/08  
 D34/34  
 2008/0095606 A1\* 4/2008 Pierson ..... B66C 1/68  
 414/800  
 2011/0084245 A1\* 4/2011 Penenburgh ..... B66F 17/00  
 254/2 R  
 2019/0084816 A1\* 3/2019 Stolten ..... B66F 9/08  
 (Continued)

(\*\*) Term: **15 Years**

(21) Appl. No.: **29/735,667**

(22) Filed: **May 22, 2020**

(30) **Foreign Application Priority Data**

Nov. 27, 2019 (CN) ..... 201930657723.2

(51) **LOC (13) CL.** ..... **12-05**

(52) **U.S. CL.** ..... **D34/34**

(58) **Field of Classification Search**

USPC ..... D34/34; D15/199  
 CPC ... B62B 3/0612; B62B 3/0618; B62B 5/0069;  
 B62B 5/0438; B66F 9/22; B66F 9/24;  
 B66F 9/085; B66F 9/061; B66F 9/186;  
 B66F 9/063; B66F 7/00; B66F 7/10;  
 B66F 7/24

See application file for complete search history.

(56) **References Cited**

**U.S. PATENT DOCUMENTS**

D623,820 S \* 9/2010 Masalin ..... D34/34  
 D859,775 S \* 9/2019 Nilsson ..... D34/34  
 D895,221 S \* 9/2020 Nilsson ..... D34/34  
 D933,930 S \* 10/2021 Dai ..... B66F 9/07509  
 D34/34  
 D940,428 S \* 1/2022 Li ..... B66F 17/00  
 D34/34

**OTHER PUBLICATIONS**

Alibaba.com Feb. 16, 2022, Advanced AGV robot automated guided vehicle forklift for warehouse, [https://www.alibaba.com/product-detail/advanced-AGV-robot-automated-guided-vehicle\\_60820100009](https://www.alibaba.com/product-detail/advanced-AGV-robot-automated-guided-vehicle_60820100009) (Year: 2021).\*

(Continued)

*Primary Examiner* — Cynthia Ramirez

(74) *Attorney, Agent, or Firm* — Bret E. Field; Bozicevic, Field & Francis LLP

(57) **CLAIM**

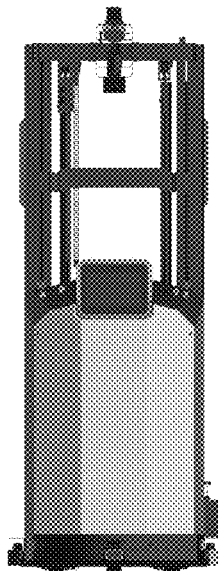
The ornamental design for a forklift, as shown and described.

**DESCRIPTION**

The file of this patent contains at least one drawing/photograph executed in color. Copies of this patent with color drawing(s)/photograph(s) will be provided by the Office upon request and payment of the necessary fee.

FIG. 1 is a front view of a forklift showing my new design;  
 FIG. 2 is a back view thereof;  
 FIG. 3 is a left view thereof;  
 FIG. 4 is a right view thereof;  
 FIG. 5 is a top view thereof;  
 FIG. 6 is a bottom view thereof;  
 FIG. 7 is a first perspective view thereof; and,  
 FIG. 8 is a second perspective view thereof.

**1 Claim, 8 Drawing Sheets**  
**(8 of 8 Drawing Sheet(s) Filed in Color)**



(56)

**References Cited**

U.S. PATENT DOCUMENTS

2020/0385255 A1\* 12/2020 Ruault ..... B66F 9/07509  
2021/0002114 A1\* 1/2021 Long ..... B62B 3/0612

OTHER PUBLICATIONS

Thaisdk.co.th Feb. 16, 2022, Forklift Mobile Robot MR-F4-1000,  
<http://www.thaisdk.co.th/product/forklift-mobile-robot-mr-f4-1000-ahi/> (Year: 2022).\*

Wiserobotics.com Feb. 16, 2022, The F4 Automated Forklift, <https://wiserobotics.com/robots/f4/> (Year: 2022).\*

\* cited by examiner

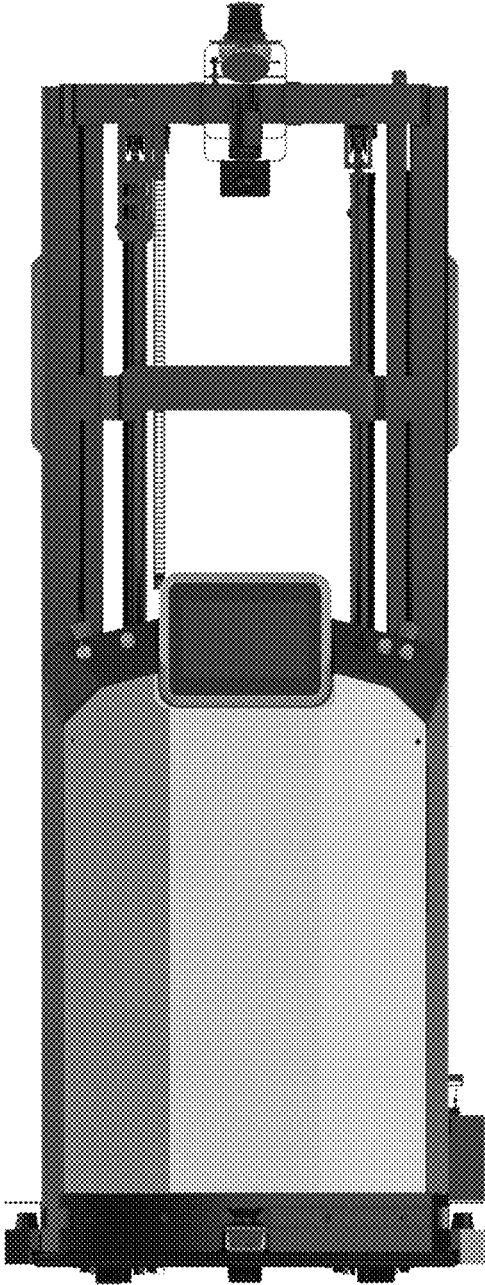


FIG. 1

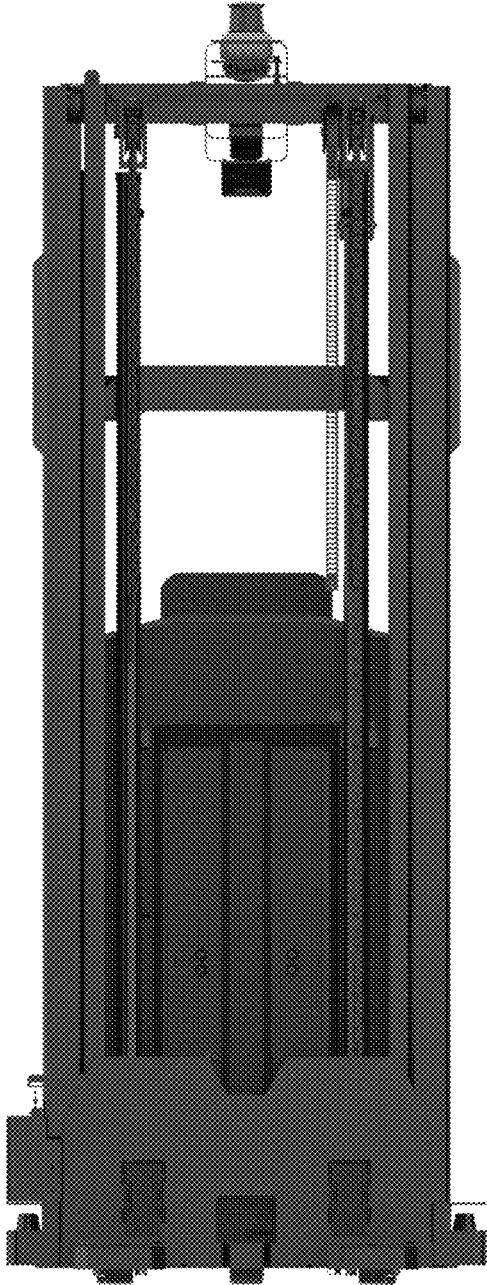


FIG. 2

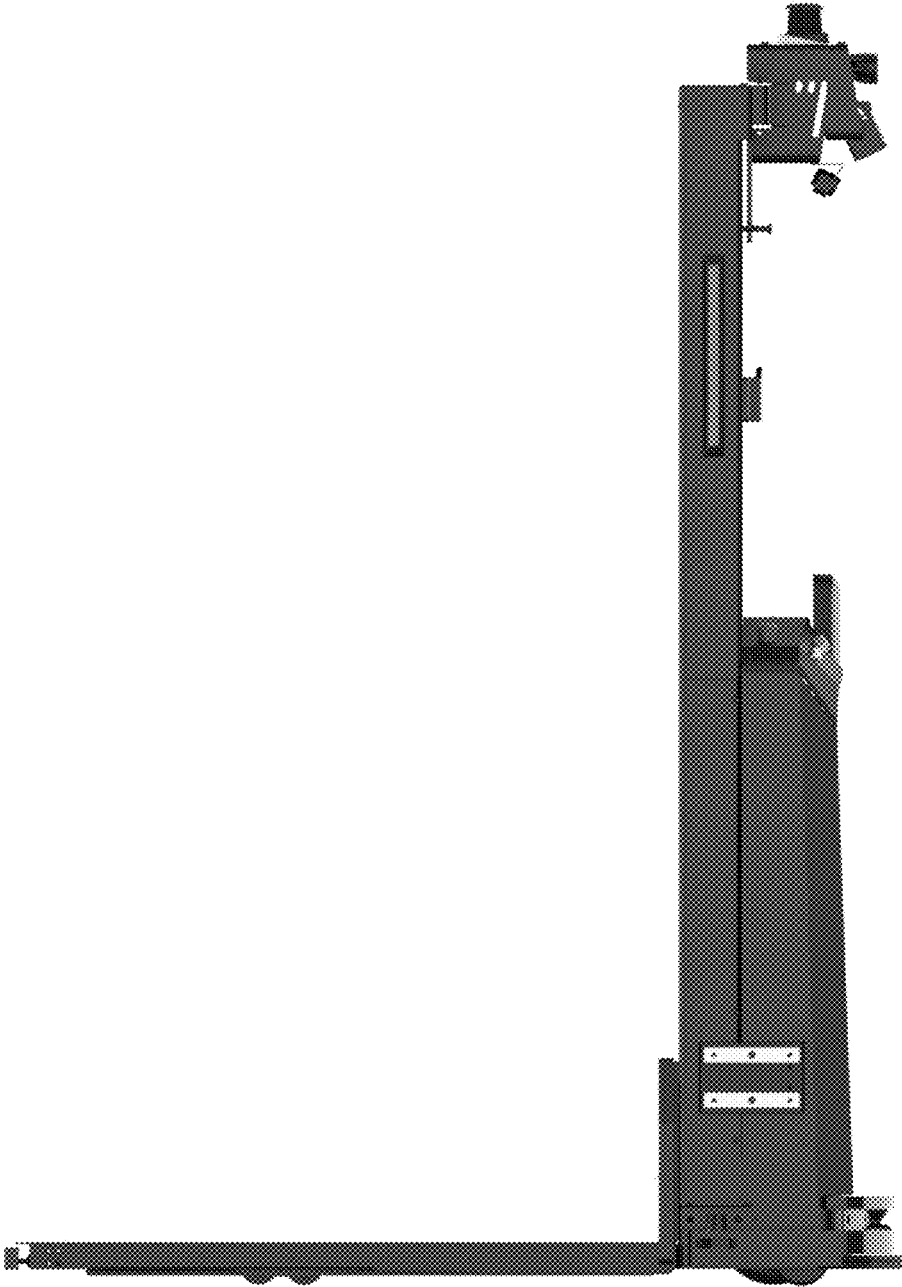


FIG. 3

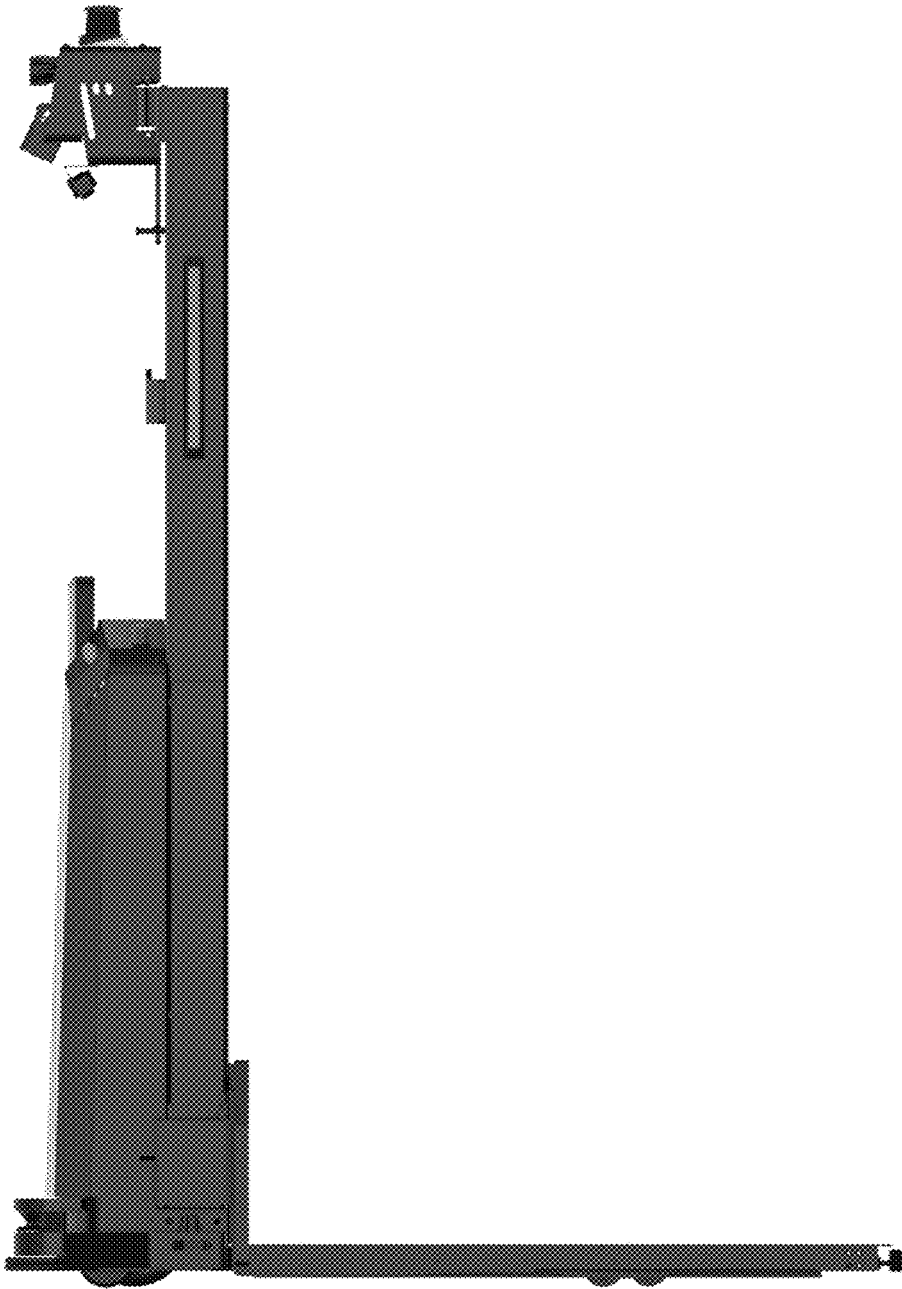


FIG. 4

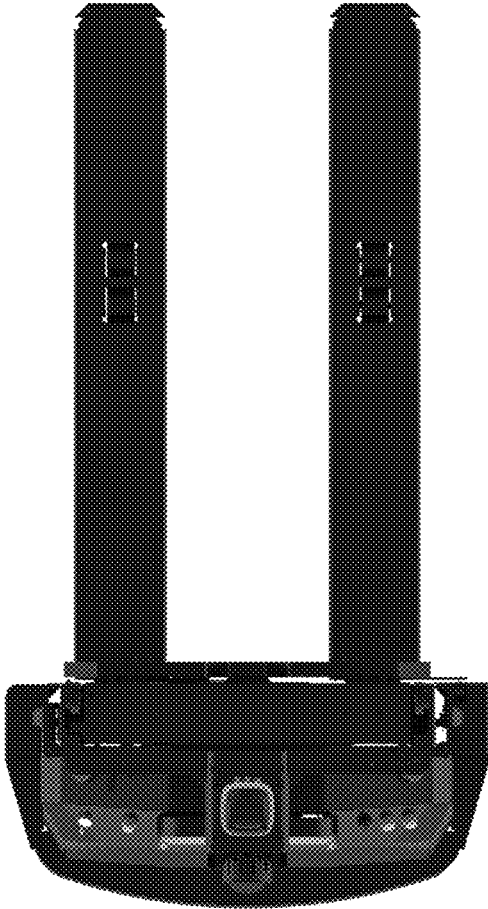


FIG. 5

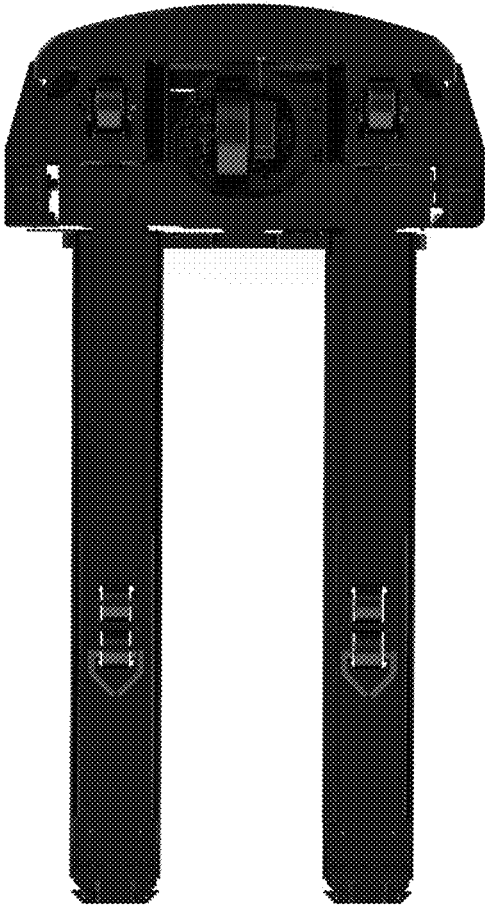


FIG. 6

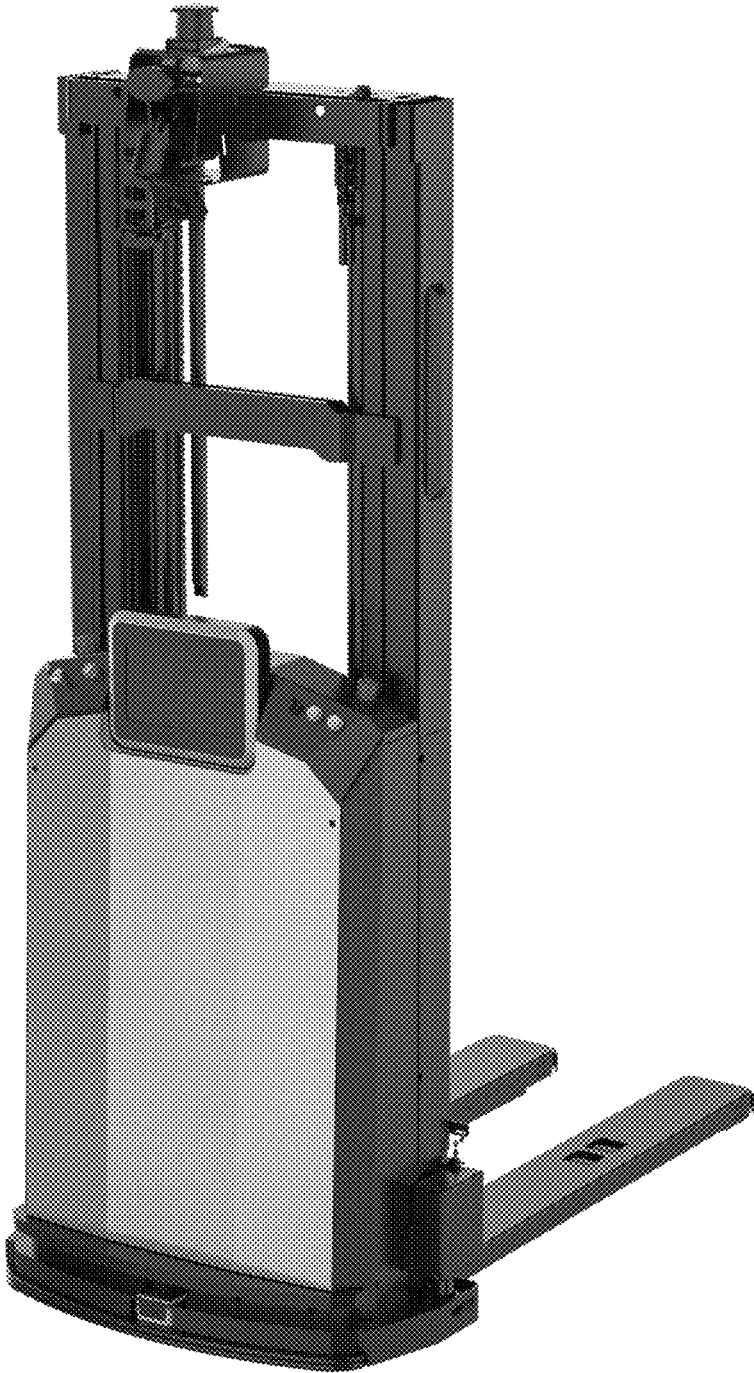


FIG. 7



FIG. 8