



(51) International Patent Classification:

A63B 21/002 (2006.01) G06F 19/00 (2011.01)
A63B 21/06 (2006.01) A63B 23/035 (2006.01)

(21) International Application Number:

PCT/US2012/034552

(22) International Filing Date:

20 April 2012 (20.04.2012)

(25) Filing Language:

English

(26) Publication Language:

English

(30) Priority Data:

13/091,002 20 April 2011 (20.04.2011) US

(71) Applicant (for all designated States except US): **PERFORMANCE HEALTH SYSTEMS, LLC** [US/US]; 14093 Sierra Woodlands Court, Nevada City, CA 95959 (US).

(72) Inventors; and

(75) Inventors/Applicants (for US only): **JAQUISH, John, Paul** [US/US]; 14093 Sierra Woodlands Court, Nevada City, CA 95959 (US). **JAQUISH, Paul, Edward** [US/US]; 14093 Sierra Woodlands Court, Nevada City, CA 95959 (US).

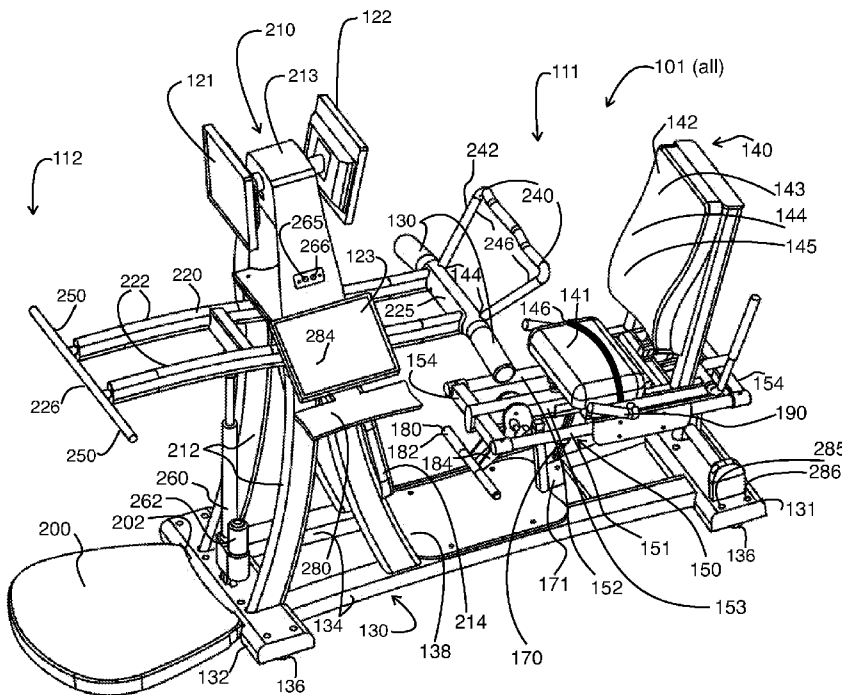
(74) Agents: **LOVEJOY, Brett, A.** et al.; Morgan, Lewis & Bockius LLP, One Market, Spear Street Tower, San Francisco, CA 94105 (US).

(81) Designated States (unless otherwise indicated, for every kind of national protection available): AE, AG, AL, AM, AO, AT, AU, AZ, BA, BB, BG, BH, BR, BW, BY, BZ, CA, CH, CL, CN, CO, CR, CU, CZ, DE, DK, DM, DO, DZ, EC, EE, EG, ES, FI, GB, GD, GE, GH, GM, GT, HN, HR, HU, ID, IL, IN, IS, JP, KE, KG, KM, KN, KP, KR, KZ, LA, LC, LK, LR, LS, LT, LU, LY, MA, MD, ME, MG, MK, MN, MW, MX, MY, MZ, NA, NG, NI, NO, NZ, OM, PE, PG, PH, PL, PT, QA, RO, RS, RU, RW, SC, SD, SE, SG, SK, SL, SM, ST, SV, SY, TH, TJ, TM, TN, TR, TT, TZ, UA, UG, US, UZ, VC, VN, ZA, ZM, ZW.

(84) Designated States (unless otherwise indicated, for every kind of regional protection available): ARIPO (BW, GH, GM, KE, LR, LS, MW, MZ, NA, RW, SD, SL, SZ, TZ,

[Continued on next page]

(54) Title: SYSTEMS AND METHODS FOR ADMINISTERING AN EXERCISE PROGRAM



(57) Abstract: An exercise machine includes loading contact surfaces. An actuator is configured to adjust a position of the loading contact surface. A user controls the actuator through a user interface to adjust the loading contact surface's position in a first exercise session. A processor is configured to automatically monitor the loading contact surface's position as adjusted by the user in the first exercise session, and to automatically control the actuator to move the loading contact surface in a subsequent session to the same or a different position as in the previous session.

WO 2012/145699 A3



UG, ZM, ZW), Eurasian (AM, AZ, BY, KG, KZ, MD, RU, TJ, TM), European (AL, AT, BE, BG, CH, CY, CZ, DE, DK, EE, ES, FI, FR, GB, GR, HR, HU, IE, IS, IT, LT, LU, LV, MC, MK, MT, NL, NO, PL, PT, RO, RS, SE, SI, SK, SM, TR), OAPI (BF, BJ, CF, CG, CI, CM, GA, GN, GQ, GW, ML, MR, NE, SN, TD, TG).

Published:

- *with international search report (Art. 21(3))*
- *before the expiration of the time limit for amending the claims and to be republished in the event of receipt of amendments (Rule 48.2(h))*

Declarations under Rule 4.17:

- *as to applicant's entitlement to apply for and be granted a patent (Rule 4.17(ii))*
- *as to the applicant's entitlement to claim the priority of the earlier application (Rule 4.17(iii))*

(88) Date of publication of the international search report:

14 March 2013

INTERNATIONAL SEARCH REPORT

International application No PCT/US2012/034552

A. CLASSIFICATION OF SUBJECT MATTER
 INV. A63B21/002 A63B71/06
 ADD. G06F19/00 A63B23/035

According to International Patent Classification (IPC) or to both national classification and IPC

B. FIELDS SEARCHED
 Minimum documentation searched (classification system followed by classification symbols)
 A63B G06F

Documentation searched other than minimum documentation to the extent that such documents are included in the fields searched

Electronic data base consulted during the international search (name of data base and, where practicable, search terms used)
 EPO-Internal, WPI Data

C. DOCUMENTS CONSIDERED TO BE RELEVANT

Category*	Citation of document, with indication, where appropriate, of the relevant passages	Relevant to claim No.
X	US 2010/234196 A1 (SHINOMIYA YOUICHI [JP] ET AL) 16 September 2010 (2010-09-16) paragraphs [0017] - [0019] paragraph [0038] paragraph [0057] - paragraph [0060] paragraph [0065] paragraph [0069] - paragraph [0070]	1,2,91
X	US 2008/248926 A1 (COLE NEIL M [US] ET AL) 9 October 2008 (2008-10-09) paragraph [0135] - paragraph [0137] paragraph [0156]	1,2,91
X	US 2003/013071 A1 (THOMAS RICHARD TODD [US]) 16 January 2003 (2003-01-16) the whole document	1-3,91
	----- -/--	

Further documents are listed in the continuation of Box C. See patent family annex.

* Special categories of cited documents :

"A" document defining the general state of the art which is not considered to be of particular relevance	"T" later document published after the international filing date or priority date and not in conflict with the application but cited to understand the principle or theory underlying the invention
"E" earlier application or patent but published on or after the international filing date	"X" document of particular relevance; the claimed invention cannot be considered novel or cannot be considered to involve an inventive step when the document is taken alone
"L" document which may throw doubts on priority claim(s) or which is cited to establish the publication date of another citation or other special reason (as specified)	"Y" document of particular relevance; the claimed invention cannot be considered to involve an inventive step when the document is combined with one or more other such documents, such combination being obvious to a person skilled in the art
"O" document referring to an oral disclosure, use, exhibition or other means	"&" document member of the same patent family
"P" document published prior to the international filing date but later than the priority date claimed	

Date of the actual completion of the international search 28 September 2012	Date of mailing of the international search report 25/01/2013
--	--

Name and mailing address of the ISA/ European Patent Office, P.B. 5818 Patentlaan 2 NL - 2280 HV Rijswijk Tel. (+31-70) 340-2040, Fax: (+31-70) 340-3016	Authorized officer Millward, Richard
--	---

INTERNATIONAL SEARCH REPORT

International application No PCT/US2012/034552

C(Continuation). DOCUMENTS CONSIDERED TO BE RELEVANT		
Category*	Citation of document, with indication, where appropriate, of the relevant passages	Relevant to claim No.
X	WO 2010/059061 A1 (JUNGLE SPORTS AS [NO]; LARSEN JAN SCHULTZ [NO]; BEINNES ARVID [NO]; KN) 27 May 2010 (2010-05-27) the whole document -----	1-3
X,P	US 2012/040799 A1 (JAQUISH JOHN PAUL [US] ET AL) 16 February 2012 (2012-02-16) the whole document -----	1-5,91

INTERNATIONAL SEARCH REPORT

International application No.
PCT/US2012/034552

Box No. II Observations where certain claims were found unsearchable (Continuation of item 2 of first sheet)

This international search report has not been established in respect of certain claims under Article 17(2)(a) for the following reasons:

1. Claims Nos.: 9-27, 73, 74, 98
because they relate to subject matter not required to be searched by this Authority, namely:
Rule 39.1(iv) PCT - Method for treatment of the human or animal body by therapy
2. Claims Nos.:
because they relate to parts of the international application that do not comply with the prescribed requirements to such an extent that no meaningful international search can be carried out, specifically:
3. Claims Nos.:
because they are dependent claims and are not drafted in accordance with the second and third sentences of Rule 6.4(a).

Box No. III Observations where unity of invention is lacking (Continuation of item 3 of first sheet)

This International Searching Authority found multiple inventions in this international application, as follows:

see additional sheet

1. As all required additional search fees were timely paid by the applicant, this international search report covers all searchable claims.
2. As all searchable claims could be searched without effort justifying an additional fees, this Authority did not invite payment of additional fees.
3. As only some of the required additional search fees were timely paid by the applicant, this international search report covers only those claims for which fees were paid, specifically claims Nos.:
4. No required additional search fees were timely paid by the applicant. Consequently, this international search report is restricted to the invention first mentioned in the claims; it is covered by claims Nos.:
1-5, 91

Remark on Protest

- The additional search fees were accompanied by the applicant's protest and, where applicable, the payment of a protest fee.
- The additional search fees were accompanied by the applicant's protest but the applicable protest fee was not paid within the time limit specified in the invitation.
- No protest accompanied the payment of additional search fees.

FURTHER INFORMATION CONTINUED FROM PCT/ISA/ 210

This International Searching Authority found multiple (groups of) inventions in this international application, as follows:

1. claims: 1-5, 91

Exercise machine comprising:
a first loading contact surface; an actuator configured to adjust its position;
a user interface for controlling the actuator;
a processor to monitor the position of the first loading contact surface as adjusted by the user in the first exercise session, and to automatically control the actuator to move the first loading contact surface in a subsequent second session to the first position.

2. claims: 6-8, 94-97

Exercise machine comprising:
a base; a seat loading contact surface and a standing loading contact surface, each connected to and supported by the base, configured for a user when contacting the seat loading contact surface and the standing loading contact surface to face axially toward both the seat loading contact surface and the standing loading contact surface;
a first display and a second display, spaced axially apart and facing axially away from each other, located axially between the contact surfaces,
the first display positioned to be viewed when the user is seated, the second display positioned to be viewed when performing a standing exercise;
and a third display positioned axially between the contact surfaces and oriented to be viewed by an operator of the machine such that the user cannot see the information displayed by the third display.

3. claims: 28-72, 75

A computer program product/system comprising:
(A) instructions for receiving medical health information of a subject
(B) instructions for developing one or more exercise constraints as a function of the medical health information of the subject,
(C) instructions for receiving an exercise result from a plurality of fully contracted exercises performed by the subject
(D) instructions for creating a mandatory recovery period
(E) instructions for developing a new set of exercise constraints
(F) instructions for repeating

4. claims: 76-90, 92, 93

FURTHER INFORMATION CONTINUED FROM PCT/ISA/ 210

Exercise machine comprising: a first loading contact surface; a strain gauge configured to measure a force exerted by a user on the first loading contact surface; an actuator configured to adjust a position of the first loading contact surface; a user interface for controlling the actuator and a processor to monitor the position of the first loading contact surface as adjusted by the user in the first exercise session, and to report to the user interface the amount of force exerted by the user on the first loading contact surface at a time when the user is exerting force on the first loading contact surface.

INTERNATIONAL SEARCH REPORT

Information on patent family members

International application No PCT/US2012/034552

Patent document cited in search report	Publication date	Patent family member(s)	Publication date
US 2010234196 A1	16-09-2010	CN 101678226 A	24-03-2010
		EP 2147700 A1	27-01-2010
		JP 5032883 B2	26-09-2012
		JP 2008279206 A	20-11-2008
		KR 20090130257 A	21-12-2009
		TW 200934555 A	16-08-2009
		US 2010234196 A1	16-09-2010
		WO 2008140068 A1	20-11-2008

US 2008248926 A1	09-10-2008	CA 2612426 A1	27-05-2008
		US 2008248926 A1	09-10-2008
		US 2010279821 A1	04-11-2010

US 2003013071 A1	16-01-2003	NONE	

WO 2010059061 A1	27-05-2010	NONE	

US 2012040799 A1	16-02-2012	US 2012040799 A1	16-02-2012
		WO 2012145699 A2	26-10-2012
