

(19) World Intellectual Property Organization
International Bureau



(43) International Publication Date
2 April 2009 (02.04.2009)

PCT

(10) International Publication Number
WO 2009/040703 A3

(51) International Patent Classification:

F21V 29/02 (2006.01) F21V 31/00 (2006.01)
F21K 7/00 (2006.01) F21Y 101/02 (2006.01)

(74) Agent: BEKKERS, Joost; High Tech Campus Building
44, NL-5656 AE Eindhoven (NL).

(21) International Application Number:

PCT/IB2008/053754

(81) Designated States (unless otherwise indicated, for every kind of national protection available): AE, AG, AL, AM, AO, AT, AU, AZ, BA, BB, BG, BH, BR, BW, BY, BZ, CA, CH, CN, CO, CR, CU, CZ, DE, DK, DM, DO, DZ, EC, EE, EG, ES, FI, GB, GD, GE, GH, GM, GT, HN, HR, HU, ID, IL, IN, IS, JP, KE, KG, KM, KN, KP, KR, KZ, LA, LC, LK, LR, LS, LT, LU, LY, MA, MD, ME, MG, MK, MN, MW, MX, MY, MZ, NA, NG, NI, NO, NZ, OM, PG, PH, PL, PT, RO, RS, RU, SC, SD, SE, SG, SK, SL, SM, ST, SV, SY, TJ, TM, TN, TR, TT, TZ, UA, UG, US, UZ, VC, VN, ZA, ZM, ZW.

(22) International Filing Date:

16 September 2008 (16.09.2008)

(25) Filing Language:

English

(26) Publication Language:

English

(30) Priority Data:

07117424.7 27 September 2007 (27.09.2007) EP

(71) Applicant (for DE only): PHILIPS INTELLECTUAL PROPERTY & STANDARDS GMBH [DE/DE]; Lübeckertordamm 5, 20099 Hamburg (DE).

(84) Designated States (unless otherwise indicated, for every kind of regional protection available): ARIPO (BW, GH, GM, KE, LS, MW, MZ, NA, SD, SL, SZ, TZ, UG, ZM, ZW), Eurasian (AM, AZ, BY, KG, KZ, MD, RU, TJ, TM), European (AT, BE, BG, CH, CY, CZ, DE, DK, EE, ES, FI, FR, GB, GR, HR, HU, IE, IS, IT, LT, LU, LV, MC, MT, NL, NO, PL, PT, RO, SE, SI, SK, TR), OAPI (BF, BJ, CF, CG, CI, CM, GA, GN, GQ, GW, ML, MR, NE, SN, TD, TG).

(71) Applicant (for all designated States except DE, US): KONINKLIJKE PHILIPS ELECTRONICS N.V. [NL/NL]; Groenewoudseweg 1, 5621 BA Eindhoven (NL).

(72) Inventor; and

(75) Inventor/Applicant (for US only): RADERMACHER, Harald, J. G. [DE/DE]; c/o High Tech Campus Building 44, NL-5656 AE Eindhoven (NL).

Published:

— with international search report

[Continued on next page]

(54) Title: LIGHTING DEVICE AND METHOD OF COOLING A LIGHTING DEVICE

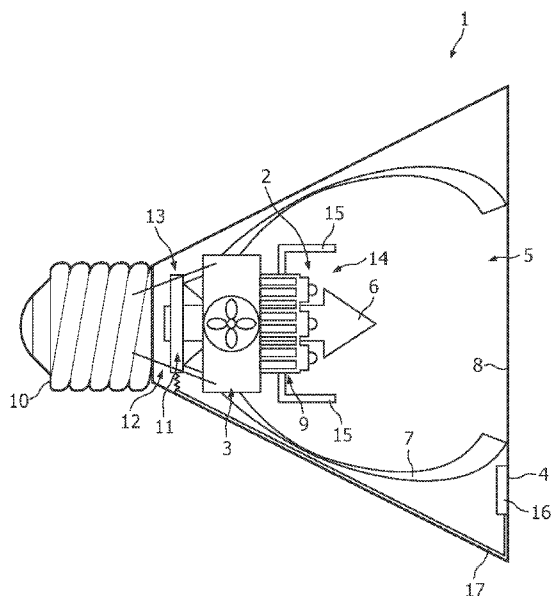


FIG. 1

(57) Abstract: The invention relates to a light device comprising a light source (2), a ventilation unit (3) and a sealed transparent casing (4) sealing the inside (5) of the casing from the outside of the casing (4). The light source (2) and the ventilation unit (3) are located within the casing (4) and the ventilation unit (3) is adapted for generating a gas flow (6, 7) for transporting heat generated by the light source (2) to an inner surface (8) of the casing (4).

WO 2009/040703 A3



— *before the expiration of the time limit for amending the claims and to be republished in the event of receipt of amendments*

(88) Date of publication of the international search report:
22 May 2009

INTERNATIONAL SEARCH REPORT

International application No PCT/IB2008/053754

A. CLASSIFICATION OF SUBJECT MATTER				
INV. F21V29/02	F21K7/00	F21V31/00		
ADD. F21Y101/02				
According to International Patent Classification (IPC) or to both national classification and IPC				
B. FIELDS SEARCHED				
Minimum documentation searched (classification system followed by classification symbols) F21V F21K				
Documentation searched other than minimum documentation to the extent that such documents are included in the fields searched				
Electronic data base consulted during the international search (name of data base and, where practical, search terms used) EPO-Internal				
C. DOCUMENTS CONSIDERED TO BE RELEVANT				
Category*	Citation of document, with indication, where appropriate, of the relevant passages	Relevant to claim No.		
X	US 2003/021113 A1 (BEGEMANN SIMON H A [NL]) 30 January 2003 (2003-01-30) paragraphs [0021] - [0024]; figure 1	1-3,6,10		
Y	----- EP 1 471 564 A (OSRAM SYLVANIA INC [US]) 27 October 2004 (2004-10-27) paragraph [0006]; figure 1	5		
Y	----- US 2007/070630 A1 (KITTREDGE RYAN A [US] ET AL) 29 March 2007 (2007-03-29) paragraphs [0019] - [0024]; figures 2,3,5	5		
A	----- US 2005/174780 A1 (PARK CHANG S [KR]) 11 August 2005 (2005-08-11) paragraphs [0029] - [0032]; figures 1-8	1-10		
A	-----	1-10		
<input type="checkbox"/> Further documents are listed in the continuation of Box C. <input checked="" type="checkbox"/> See patent family annex.				
* Special categories of cited documents : <table style="width: 100%; border: none;"> <tr> <td style="width: 50%; border: none; vertical-align: top;"> <ul style="list-style-type: none"> *A* document defining the general state of the art which is not considered to be of particular relevance *E* earlier document but published on or after the international filing date *L* document which may throw doubts on priority claim(s) or which is cited to establish the publication date of another citation or other special reason (as specified) *O* document referring to an oral disclosure, use, exhibition or other means *P* document published prior to the international filing date but later than the priority date claimed </td> <td style="width: 50%; border: none; vertical-align: top;"> <ul style="list-style-type: none"> *T* later document published after the international filing date or priority date and not in conflict with the application but cited to understand the principle or theory underlying the invention *X* document of particular relevance; the claimed invention cannot be considered novel or cannot be considered to involve an inventive step when the document is taken alone *Y* document of particular relevance; the claimed invention cannot be considered to involve an inventive step when the document is combined with one or more other such documents, such combination being obvious to a person skilled in the art. *Z* document member of the same patent family </td> </tr> </table>			<ul style="list-style-type: none"> *A* document defining the general state of the art which is not considered to be of particular relevance *E* earlier document but published on or after the international filing date *L* document which may throw doubts on priority claim(s) or which is cited to establish the publication date of another citation or other special reason (as specified) *O* document referring to an oral disclosure, use, exhibition or other means *P* document published prior to the international filing date but later than the priority date claimed 	<ul style="list-style-type: none"> *T* later document published after the international filing date or priority date and not in conflict with the application but cited to understand the principle or theory underlying the invention *X* document of particular relevance; the claimed invention cannot be considered novel or cannot be considered to involve an inventive step when the document is taken alone *Y* document of particular relevance; the claimed invention cannot be considered to involve an inventive step when the document is combined with one or more other such documents, such combination being obvious to a person skilled in the art. *Z* document member of the same patent family
<ul style="list-style-type: none"> *A* document defining the general state of the art which is not considered to be of particular relevance *E* earlier document but published on or after the international filing date *L* document which may throw doubts on priority claim(s) or which is cited to establish the publication date of another citation or other special reason (as specified) *O* document referring to an oral disclosure, use, exhibition or other means *P* document published prior to the international filing date but later than the priority date claimed 	<ul style="list-style-type: none"> *T* later document published after the international filing date or priority date and not in conflict with the application but cited to understand the principle or theory underlying the invention *X* document of particular relevance; the claimed invention cannot be considered novel or cannot be considered to involve an inventive step when the document is taken alone *Y* document of particular relevance; the claimed invention cannot be considered to involve an inventive step when the document is combined with one or more other such documents, such combination being obvious to a person skilled in the art. *Z* document member of the same patent family 			
Date of the actual completion of the international search	Date of mailing of the international search report			
3 March 2009	11/03/2009			
Name and mailing address of the ISA/ European Patent Office, P.B. 5818 Patentlaan 2 NL - 2280 HV Rijswijk Tel. (+31-70) 340-2040. Fax: (+31-70) 340-3016	Authorized officer Schmid, Klaus			

INTERNATIONAL SEARCH REPORT

Information on patent family members

International application No PCT/IB2008/053754

Patent document cited in search report		Publication date	Patent family member(s)	Publication date
US 2003021113	A1	30-01-2003	NONE	
EP 1471564	A	27-10-2004	CA 2461884 A1	10-10-2004
			US 2004201990 A1	14-10-2004
US 2007070630	A1	29-03-2007	NONE	
US 2005174780	A1	11-08-2005	NONE	