



US00D998342S

(12) **United States Design Patent**  
**Zhang**

(10) **Patent No.:** **US D998,342 S**

(45) **Date of Patent:** **\*\* Sep. 12, 2023**

(54) **STORAGE BOX**

(71) Applicant: **Siduo Zhang**, Guangzhou (CN)

(72) Inventor: **Siduo Zhang**, Guangzhou (CN)

(\*\*) Term: **15 Years**

(21) Appl. No.: **29/889,566**

(22) Filed: **Apr. 13, 2023**

(51) **LOC (14) Cl.** ..... **09-04**

(52) **U.S. Cl.**  
USPC ..... **D3/304**

(58) **Field of Classification Search**

USPC ..... D3/304–314, 318–319, 321, 323;  
D9/414, 416, 423, 425, 431–432, 434,  
D9/435, 456, 499; D6/675, 675.4  
CPC ..... A45C 3/04; A45C 3/10; A45C 7/0077;  
A47B 43/00; A47B 43/003; A47B  
46/021; A47B 55/00; A47B 55/002; A47B  
57/00; A47B 57/14; A47B 57/16; A47B  
57/20; A47B 73/008; A47B 87/0284;  
B65D 1/00; B65D 1/22; B65D 1/24;  
B65D 1/34; B65D 1/36; B65D 1/38;  
B65D 1/225; B65D 1/243; B65D  
11/1893; B65D 21/0213; B65D 31/00;  
B65D 31/04; B65D 31/10; B65D 33/00;  
B65D 33/02; B65D 33/06; B65D 33/065;  
B65D 33/14; B65D 33/1683; B65D  
33/12; B65D 33/24; B65D 43/0218  
See application file for complete search history.

(56) **References Cited**

**U.S. PATENT DOCUMENTS**

D305,410 S \* 1/1990 Tyler ..... D9/425  
D351,765 S \* 10/1994 Beeler ..... D7/629  
D360,898 S \* 8/1995 Huerto ..... D19/75  
D363,662 S \* 10/1995 Plater ..... D9/425  
D418,056 S \* 12/1999 Johnson ..... D9/431  
6,761,041 B2 \* 7/2004 Roth ..... F25D 3/08  
62/530  
D530,918 S \* 10/2006 Snell ..... D3/304

D540,039 S \* 4/2007 van Beuningen ..... D3/304  
D595,128 S \* 6/2009 Bouveret ..... D9/425  
D602,255 S \* 10/2009 Ahlgrim ..... D3/304  
D901,255 S \* 11/2020 Samartgis ..... D7/630  
D903,322 S \* 12/2020 Zhang ..... D3/304  
D929,733 S 9/2021 Xiang  
D963,550 S 9/2022 Pan  
D968,132 S 11/2022 Sun

(Continued)

**OTHER PUBLICATIONS**

“Madesmart 3x3 Bin”, [Posted Online on amazon.com], [First Available on Feb. 23, 2021], [Retrieved on Jun. 30, 2023], <https://www.amazon.com/madesmart-Classic-3x3-Bin-Carbon/dp/B08X9TWZ9T> (Year: 2021).\*

(Continued)

*Primary Examiner* — Mary Shannon Malley  
*Assistant Examiner* — Christopher John Suarez La Rosa  
(74) *Attorney, Agent, or Firm* — Daniel M. Cohn;  
Howard M. Cohn

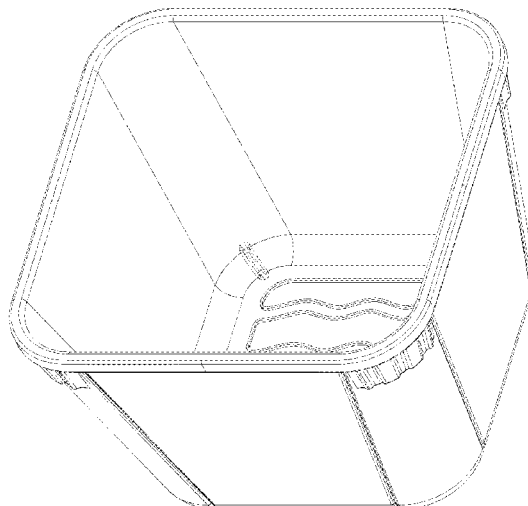
(57) **CLAIM**

The ornamental design for storage box, as shown and described.

**DESCRIPTION**

FIG. 1 is a perspective view of storage box showing my new design;  
FIG. 2 is another perspective view thereof;  
FIG. 3 is a front elevational view thereof;  
FIG. 4 is a rear elevational view thereof;  
FIG. 5 is a left side elevational view thereof;  
FIG. 6 is a right side elevational view thereof;  
FIG. 7 is a top plan view thereof; and,  
FIG. 8 is a bottom plan view thereof.  
The broken lines depict portions of the storage box that form no part of the claimed design.

**1 Claim, 8 Drawing Sheets**



(56)

**References Cited**

U.S. PATENT DOCUMENTS

2010/0276422 A1\* 11/2010 Vovan ..... B65D 43/021  
220/260

OTHER PUBLICATIONS

“Humble Crew Small—White Plastic Storage Bins”, [Posted Online on amazon.com], [Reviewed on Jan. 13, 2023], [Retrieved on Jun. 30, 2023], <https://www.amazon.com/Tot-Tutors-SM695-Plastic-Storage/dp/B07KKYPQTD/> (Year: 2023).\*

“Rubbermaid Commercial Products Food Storage Box/Tote”, [First Available on Jun. 2, 2007], [Retrieved on Jun. 30, 2023], <https://www.amazon.com/Rubbermaid-Length-Width-gallon-single/dp/B000VS9NAY/> (Year: 2007).\*

\* cited by examiner

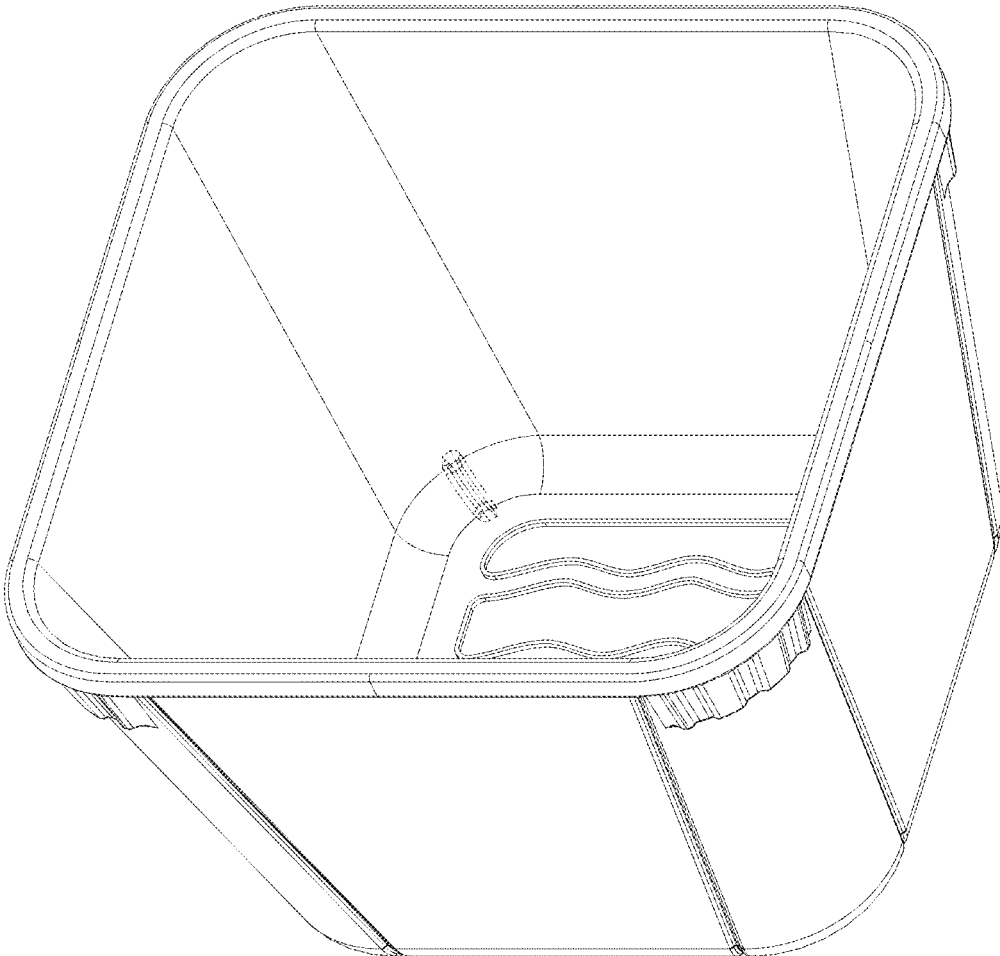


FIG.1

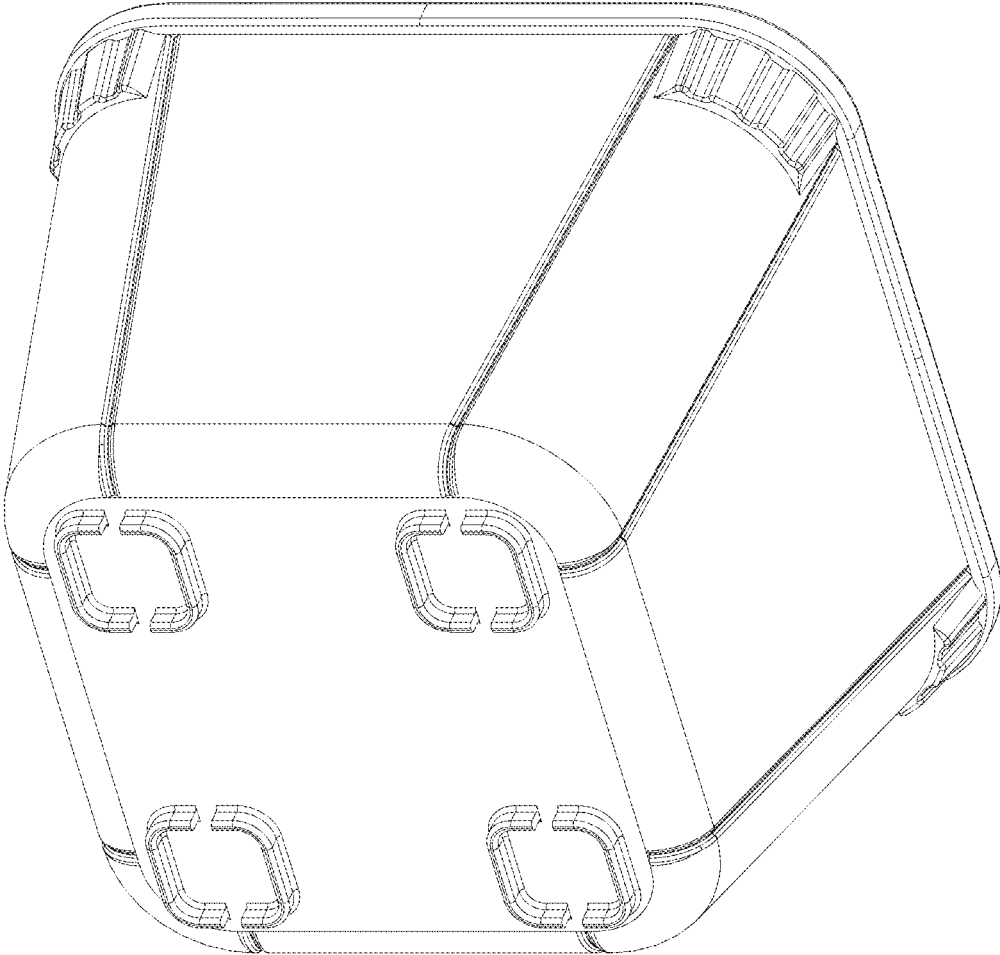


FIG.2

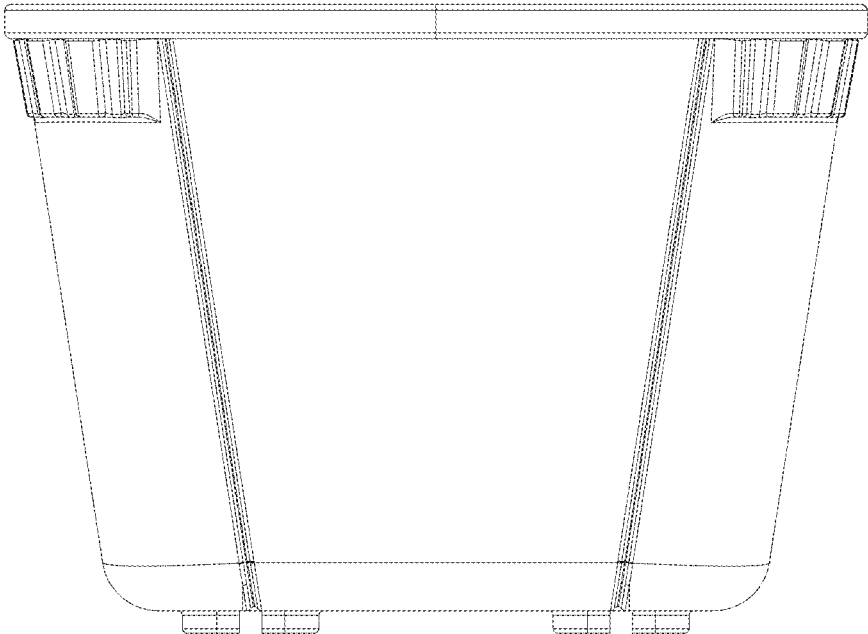


FIG.3

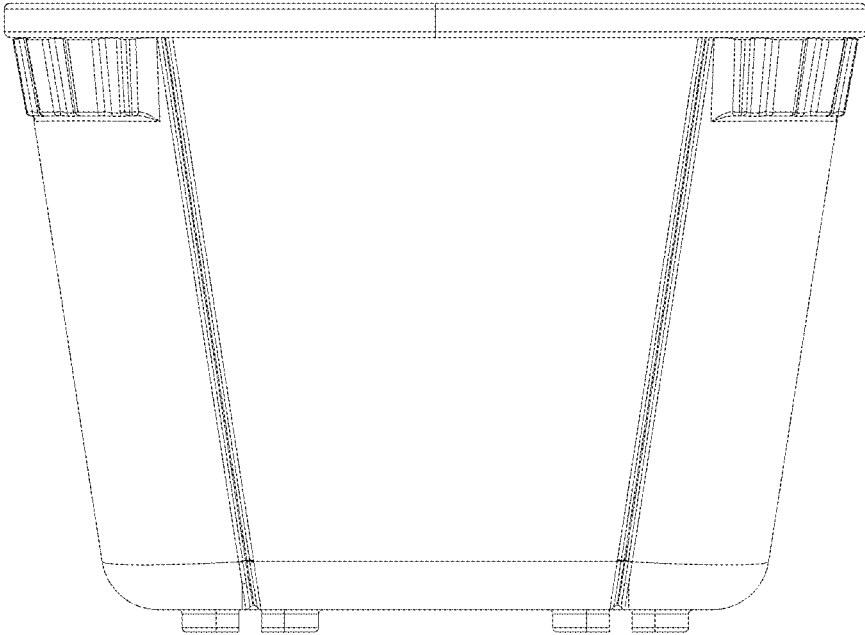


FIG.4

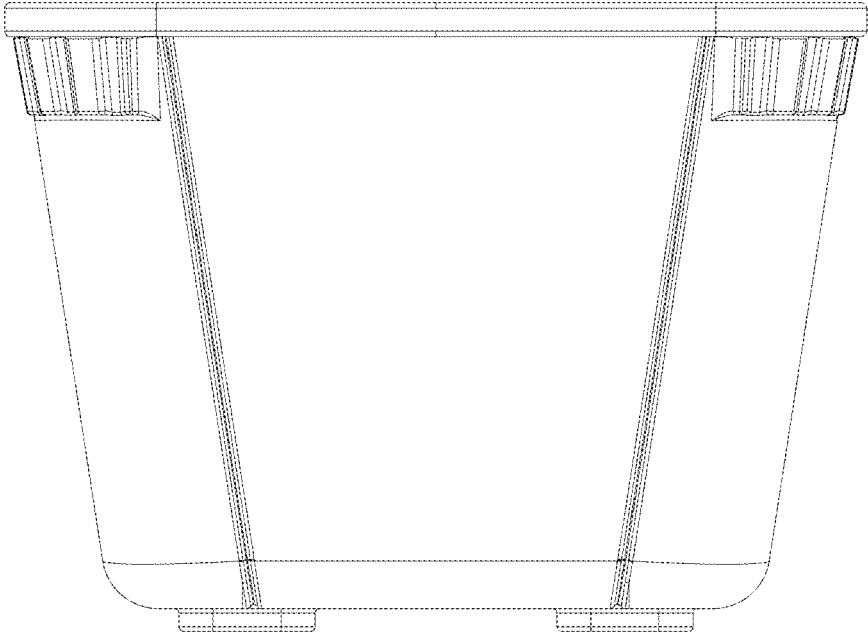


FIG.5

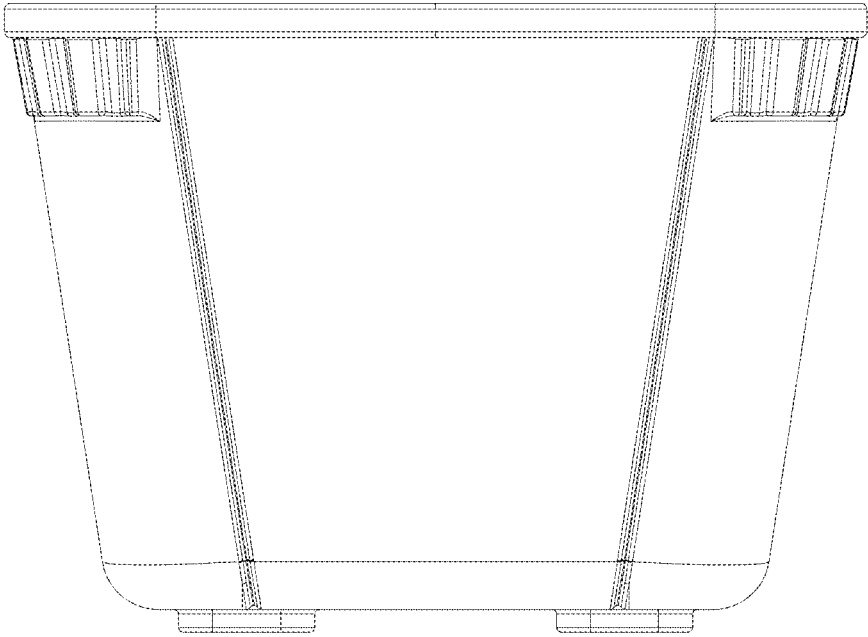


FIG.6

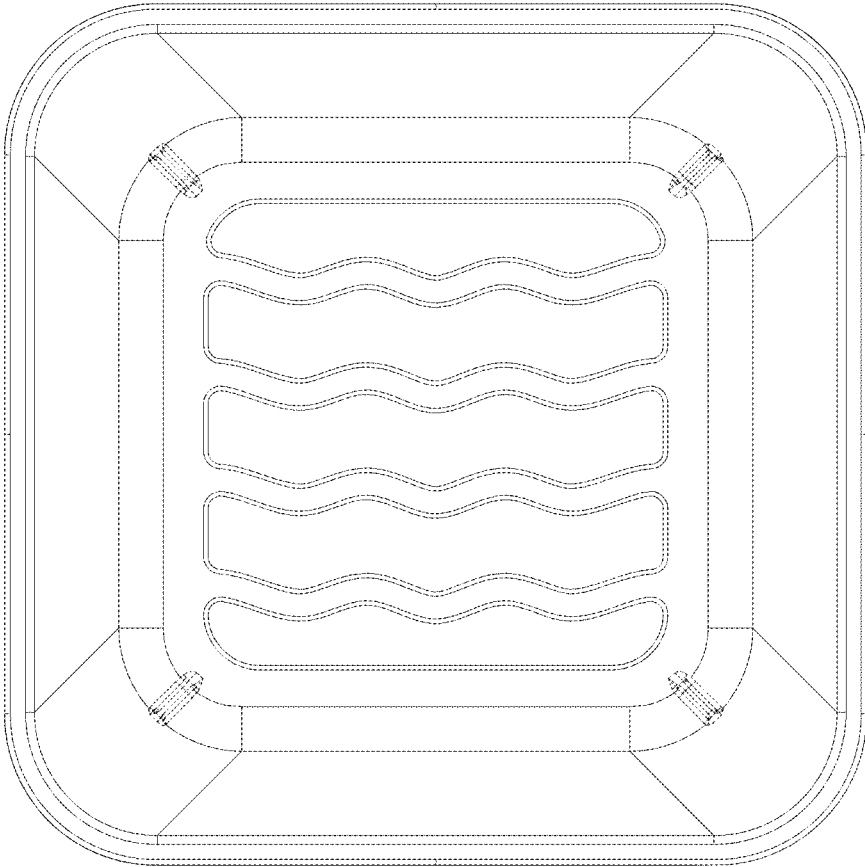


FIG.7

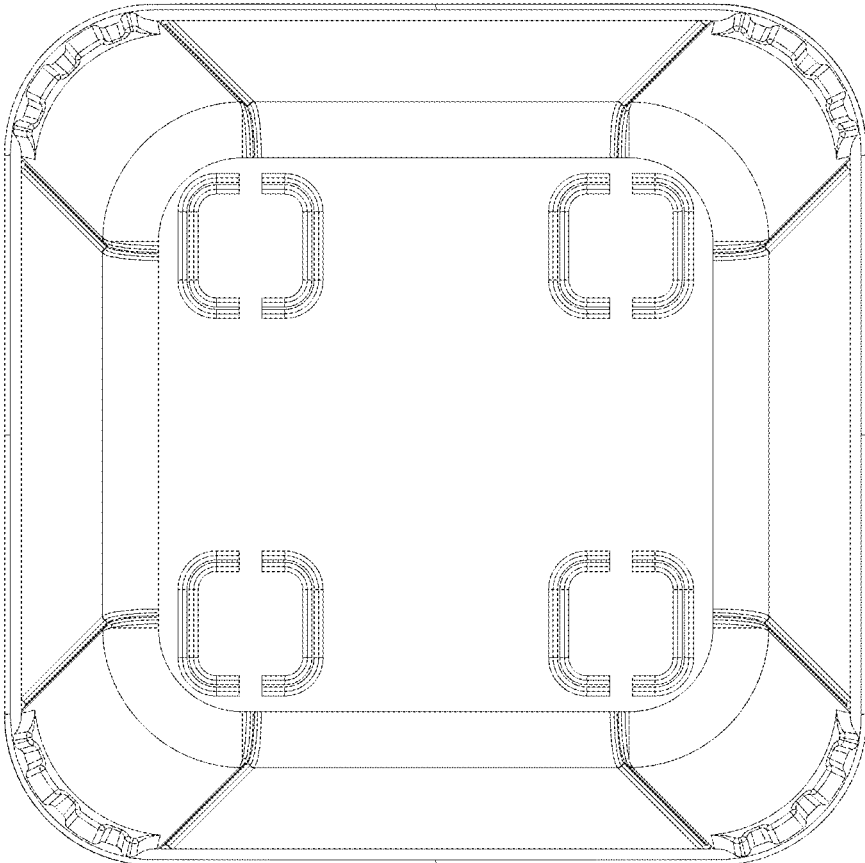


FIG.8