



(51) International Patent Classification:

C25D 5/10 (2006.01) C25D 17/00 (2006.01)
C25D 5/18 (2006.0 1) C25D 5/20 (2006.0 1)
C25D 5/02 (2006.01) C25D 21/02 (2006.01)

(21) International Application Number:

PCT/GB201 1/052437

(22) International Filing Date:

8 December 2011 (08.12.2011)

(25) Filing Language:

English

(26) Publication Language:

English

(30) Priority Data:

61/423,154 15 December 2010 (15.12.2010) US
1021 326.2 16 December 2010 (16.12.2010) GB

(71) Applicant (for all designated States except US): **PICO-FLUIDICS LIMITED** [GB/GB]; The Croft, Cowbridge Road, St Nicholas, Cardiff CF5 6SH (GB).

(72) Inventor; and

(75) Inventor/Applicant (for US only): **MACNEIL, John** [GB/GB]; The Croft, Cowbridge Road, St Nicholas Vale of Glamorgan, CF5 6SH (GB).

(74) Agents: **DUNLOP, Brian** et al; Essex Place, 22 Rodney Road, Cheltenham, Gloucestershire GL50 1JJ (GB).

(81) Designated States (unless otherwise indicated, for every kind of national protection available): AE, AG, AL, AM,

AO, AT, AU, AZ, BA, BB, BG, BH, BR, BW, BY, BZ, CA, CH, CL, CN, CO, CR, CU, CZ, DE, DK, DM, DO, DZ, EC, EE, EG, ES, FI, GB, GD, GE, GH, GM, GT, HN, HR, HU, ID, IL, IN, IS, JP, KE, KG, KM, KN, KP, KR, KZ, LA, LC, LK, LR, LS, LT, LU, LY, MA, MD, ME, MG, MK, MN, MW, MX, MY, MZ, NA, NG, NI, NO, NZ, OM, PE, PG, PH, PL, PT, QA, RO, RS, RU, RW, SC, SD, SE, SG, SK, SL, SM, ST, SV, SY, TH, TJ, TM, TN, TR, TT, TZ, UA, UG, US, UZ, VC, VN, ZA, ZM, ZW.

(84) Designated States (unless otherwise indicated, for every kind of regional protection available): ARIPO (BW, GH, GM, KE, LR, LS, MW, MZ, NA, RW, SD, SL, SZ, TZ, UG, ZM, ZW), Eurasian (AM, AZ, BY, KG, KZ, MD, RU, TJ, TM), European (AL, AT, BE, BG, CH, CY, CZ, DE, DK, EE, ES, FI, FR, GB, GR, HR, HU, IE, IS, IT, LT, LU, LV, MC, MK, MT, NL, NO, PL, PT, RO, RS, SE, SI, SK, SM, TR), OAPI (BF, BJ, CF, CG, CI, CM, GA, GN, GQ, GW, ML, MR, NE, SN, TD, TG).

Published:

- with international search report (Art. 21(3))
- before the expiration of the time limit for amending the claims and to be republished in the event of receipt of amendments (Rule 48.2(h))

(88) Date of publication of the international search report:

20 June 2013

(54) Title: ELECTRO CHEMICAL DEPOSITION APPARATUS

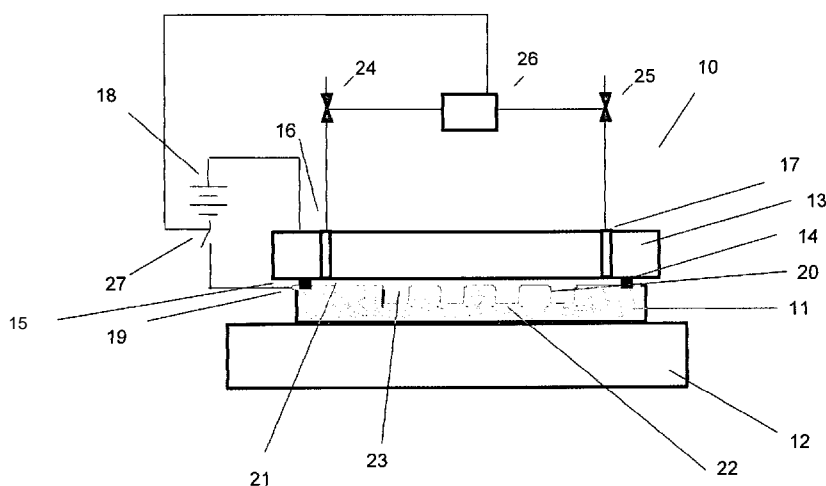


Fig 2

(57) Abstract: This invention relates to apparatus for electrochemical deposition onto the surface of a substrate. The apparatus includes an anode electrode (13) a support (12) for supporting the substrate (11) with its one surface (21) exposed at a location, the support (12) and the anode electrode (13) being relatively movable to alter the gap between the anode (13) and the location to define a chamber (23) between them and an electrical power source (18) with an ohmic contact to the seed layer (20) for creating a potential difference across the gap. The apparatus further includes a seal (14) for sealing with the seed layer (20) to define the fluid chamber (23); and the fluid inlet (16) and a fluid outlet (17) to the chamber (13).



INTERNATIONAL SEARCH REPORT

International application No
PCT/GB2011/052437

A. CLASSIFICATION OF SUBJECT MATTER INV. C25D5/10 C25D5/18 C25D5/02 C25D17/00 C25D5/20 C25D21/02 ADD. According to International Patent Classification (IPC) or to both national classification and IPC										
B. FIELDS SEARCHED Minimum documentation searched (classification system followed by classification symbols) C25D Documentation searched other than minimum documentation to the extent that such documents are included in the fields searched Electronic data base consulted during the international search (name of data base and, where practicable, search terms used) EPO-Internal , WPI Data										
C. DOCUMENTS CONSIDERED TO BE RELEVANT <table border="1" style="width: 100%; border-collapse: collapse;"> <thead> <tr> <th style="width: 10%; padding: 5px;">Category*</th> <th style="width: 70%; padding: 5px;">Citation of document, with indication, where appropriate, of the relevant passages</th> <th style="width: 20%; padding: 5px;">Relevant to claim No.</th> </tr> </thead> <tbody> <tr> <td style="vertical-align: top; padding: 5px;">X Y</td> <td style="padding: 5px;"> US 2010/258444 AI (WEINER KURT H [US] ET AL) 14 October 2010 (2010-10-14) paragraph [0054] ; claims 1,2 ,6, 10; figure 5B paragraph [0062] paragraph [0075] paragraph [0099] paragraph [0065] </td> <td style="vertical-align: top; padding: 5px;"> 1-4,6, 10, 11 5,7-9 , 12-17 </td> </tr> <tr> <td style="vertical-align: top; padding: 5px;">Y</td> <td style="padding: 5px;"> ----- WO 99/01592 AI (LEUVEN K U RES & DEV [BE] ; IMEC INTER UNI MICRO ELECTR [BE] ; CELIS BER) 14 January 1999 (1999-01-14) page 1, line 5 - page 1, line 20; claims 4,8; figures 1A, 3 page 6, line 12 - page 6, line 20 page 6, line 30 - page 6, line 35 page 15, line 35 - page 16, line 6 page 10, line 20 - page 10, line 25 ----- - / - - </td> <td style="vertical-align: top; padding: 5px;"> 5,7-9 , 12-17 </td> </tr> </tbody> </table>		Category*	Citation of document, with indication, where appropriate, of the relevant passages	Relevant to claim No.	X Y	US 2010/258444 AI (WEINER KURT H [US] ET AL) 14 October 2010 (2010-10-14) paragraph [0054] ; claims 1,2 ,6, 10; figure 5B paragraph [0062] paragraph [0075] paragraph [0099] paragraph [0065]	1-4,6, 10, 11 5,7-9 , 12-17	Y	----- WO 99/01592 AI (LEUVEN K U RES & DEV [BE] ; IMEC INTER UNI MICRO ELECTR [BE] ; CELIS BER) 14 January 1999 (1999-01-14) page 1, line 5 - page 1, line 20; claims 4,8; figures 1A, 3 page 6, line 12 - page 6, line 20 page 6, line 30 - page 6, line 35 page 15, line 35 - page 16, line 6 page 10, line 20 - page 10, line 25 ----- - / - -	5,7-9 , 12-17
Category*	Citation of document, with indication, where appropriate, of the relevant passages	Relevant to claim No.								
X Y	US 2010/258444 AI (WEINER KURT H [US] ET AL) 14 October 2010 (2010-10-14) paragraph [0054] ; claims 1,2 ,6, 10; figure 5B paragraph [0062] paragraph [0075] paragraph [0099] paragraph [0065]	1-4,6, 10, 11 5,7-9 , 12-17								
Y	----- WO 99/01592 AI (LEUVEN K U RES & DEV [BE] ; IMEC INTER UNI MICRO ELECTR [BE] ; CELIS BER) 14 January 1999 (1999-01-14) page 1, line 5 - page 1, line 20; claims 4,8; figures 1A, 3 page 6, line 12 - page 6, line 20 page 6, line 30 - page 6, line 35 page 15, line 35 - page 16, line 6 page 10, line 20 - page 10, line 25 ----- - / - -	5,7-9 , 12-17								
<table style="width: 100%;"> <tr> <td style="width: 50%; padding: 5px;"><input checked="" type="checkbox"/> Further documents are listed in the continuation of Box C.</td> <td style="width: 50%; padding: 5px;"><input checked="" type="checkbox"/> See patent family annex.</td> </tr> </table>		<input checked="" type="checkbox"/> Further documents are listed in the continuation of Box C.	<input checked="" type="checkbox"/> See patent family annex.							
<input checked="" type="checkbox"/> Further documents are listed in the continuation of Box C.	<input checked="" type="checkbox"/> See patent family annex.									
<table style="width: 100%;"> <tr> <td style="width: 50%; padding: 5px;"> * Special categories of cited documents : "A" document defining the general state of the art which is not considered to be of particular relevance "E" earlier application or patent but published on or after the international filing date "L" document which may throw doubts on priority claim(s) or which is cited to establish the publication date of another citation or other special reason (as specified) "O" document referring to an oral disclosure, use, exhibition or other means "P" document published prior to the international filing date but later than the priority date claimed </td> <td style="width: 50%; padding: 5px;"> "T" later document published after the international filing date or priority date and not in conflict with the application but cited to understand the principle or theory underlying the invention "X" document of particular relevance; the claimed invention cannot be considered novel or cannot be considered to involve an inventive step when the document is taken alone "Y" document of particular relevance; the claimed invention cannot be considered to involve an inventive step when the document is combined with one or more other such documents, such combination being obvious to a person skilled in the art "&" document member of the same patent family </td> </tr> </table>		* Special categories of cited documents : "A" document defining the general state of the art which is not considered to be of particular relevance "E" earlier application or patent but published on or after the international filing date "L" document which may throw doubts on priority claim(s) or which is cited to establish the publication date of another citation or other special reason (as specified) "O" document referring to an oral disclosure, use, exhibition or other means "P" document published prior to the international filing date but later than the priority date claimed	"T" later document published after the international filing date or priority date and not in conflict with the application but cited to understand the principle or theory underlying the invention "X" document of particular relevance; the claimed invention cannot be considered novel or cannot be considered to involve an inventive step when the document is taken alone "Y" document of particular relevance; the claimed invention cannot be considered to involve an inventive step when the document is combined with one or more other such documents, such combination being obvious to a person skilled in the art "&" document member of the same patent family							
* Special categories of cited documents : "A" document defining the general state of the art which is not considered to be of particular relevance "E" earlier application or patent but published on or after the international filing date "L" document which may throw doubts on priority claim(s) or which is cited to establish the publication date of another citation or other special reason (as specified) "O" document referring to an oral disclosure, use, exhibition or other means "P" document published prior to the international filing date but later than the priority date claimed	"T" later document published after the international filing date or priority date and not in conflict with the application but cited to understand the principle or theory underlying the invention "X" document of particular relevance; the claimed invention cannot be considered novel or cannot be considered to involve an inventive step when the document is taken alone "Y" document of particular relevance; the claimed invention cannot be considered to involve an inventive step when the document is combined with one or more other such documents, such combination being obvious to a person skilled in the art "&" document member of the same patent family									
Date of the actual completion of the international search <p style="text-align: center;">19 April 2013</p>	Date of mailing of the international search report <p style="text-align: center;">29/04/2013</p>									
Name and mailing address of the ISA/ European Patent Office, P.B. 5818 Patentlaan 2 NL - 2280 HV Rijswijk Tel. (+31-70) 340-2040, Fax: (+31-70) 340-3016	Authorized officer <p style="text-align: center;">Telias, Gabriela</p>									

INTERNATIONAL SEARCH REPORT

International application No
PCT/GB2011/052437

C(Continuation). DOCUMENTS CONSIDERED TO BE RELEVANT		
Category*	Citation of document, with indication, where appropriate, of the relevant passages	Relevant to claim No.
A	US 2004/104119 A1 (EDELSTEIN SERGIO [US] ET AL) 3 June 2004 (2004-06-03) the whole document -----	1-17
A	US 2005/164495 A1 (CHOU SHIH-WEI [TW] ET AL) 28 July 2005 (2005-07-28) the whole document -----	1-17

INTERNATIONAL SEARCH REPORT

Information on patent family members

International application No

PCT/GB2011/052437

Patent document cited in search report	Publication date	Patent family member(s)	Publication date
US 2010258444 A1	14-10-2010	TW 201042094 A	01-12-2010
		US 2010258444 A1	14-10-2010
		WO 2010120702 A1	21-10-2010

WO 9901592 A1	14--01--1999	AU 8201698 A	25--01--1999
		NL 1006463 C2	05--01--1999
		WO 9901592 A1	14--01--1999

US 2004104119 A1	03--06--2004	NONE	

US 2005164495 A1	28--07--2005	US 2005164495 A1	28--07--2005
		US 2006189127 A1	24--08--2006
