



US00D348094S

# United States Patent [19]

[11] Patent Number: Des. 348,094

Rodney, Jr.

[45] Date of Patent: \*\* Jun. 21, 1994

[54] BREACH END OF A MUZZLE LOADING GUN BARREL

[76] Inventor: Frederick W. Rodney, Jr., 134 Flagg Rd., Gonic, N.H. 03839

[\*\*] Term: 14 Years

[21] Appl. No.: 569,478

[22] Filed: Aug. 20, 1990

[52] U.S. Cl. .... D22/108; D22/103

[58] Field of Search ..... 42/39.5, 39, 38, 35, 42/34, 51, 36, 37, 16; D22/103, 108

### [56] References Cited

#### U.S. PATENT DOCUMENTS

23,224	3/1859	Barber et al. ....	42/38 X
185,912	1/1877	Goodman .....	42/38
2,476,905	7/1949	Perry et al. ....	42/35
4,161,836	7/1979	Hayashi .....	42/16

Primary Examiner—A. Hugo Word

Assistant Examiner—Doris V. Coles

Attorney, Agent, or Firm—Davis, Bujold & Streck

### [57] CLAIM

The ornamental design for a breach end of a muzzle loading gun barrel, as shown and described.

### DESCRIPTION

FIG. 1 is a rear and right side perspective with of a

breach end of a muzzle loading gun barrel, showing my new design;

FIG. 2 is a rear and right side perspective view thereof without environment;

FIG. 3 is a rear and left side perspective view thereof with environment;

FIG. 4 is a rear and left side perspective view without environment;

FIG. 5 is a rear and right side perspective view of a second embodiment;

FIG. 6 is a rear and right side perspective view thereof without environment;

FIG. 7 is a rear and left side perspective view thereof with environment;

FIG. 8 is a rear and left side perspective view thereof without environment;

FIG. 9 is a bottom plan view for the first and second embodiments;

FIG. 10 is a front elevational view thereof;

FIG. 11 is a right side elevational view thereof, the left side being a mirror image thereof;

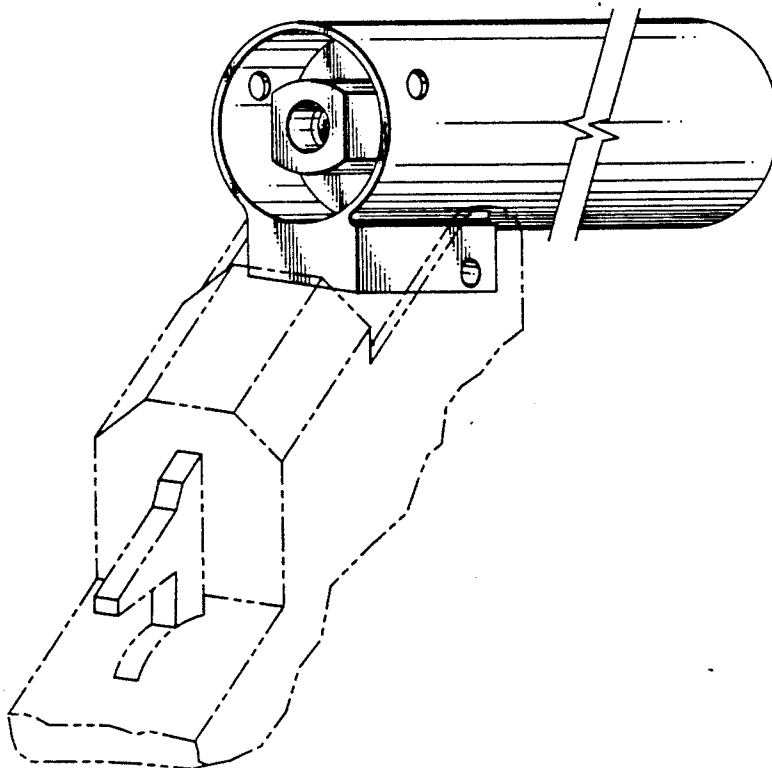
FIG. 12 is a top plan view thereof;

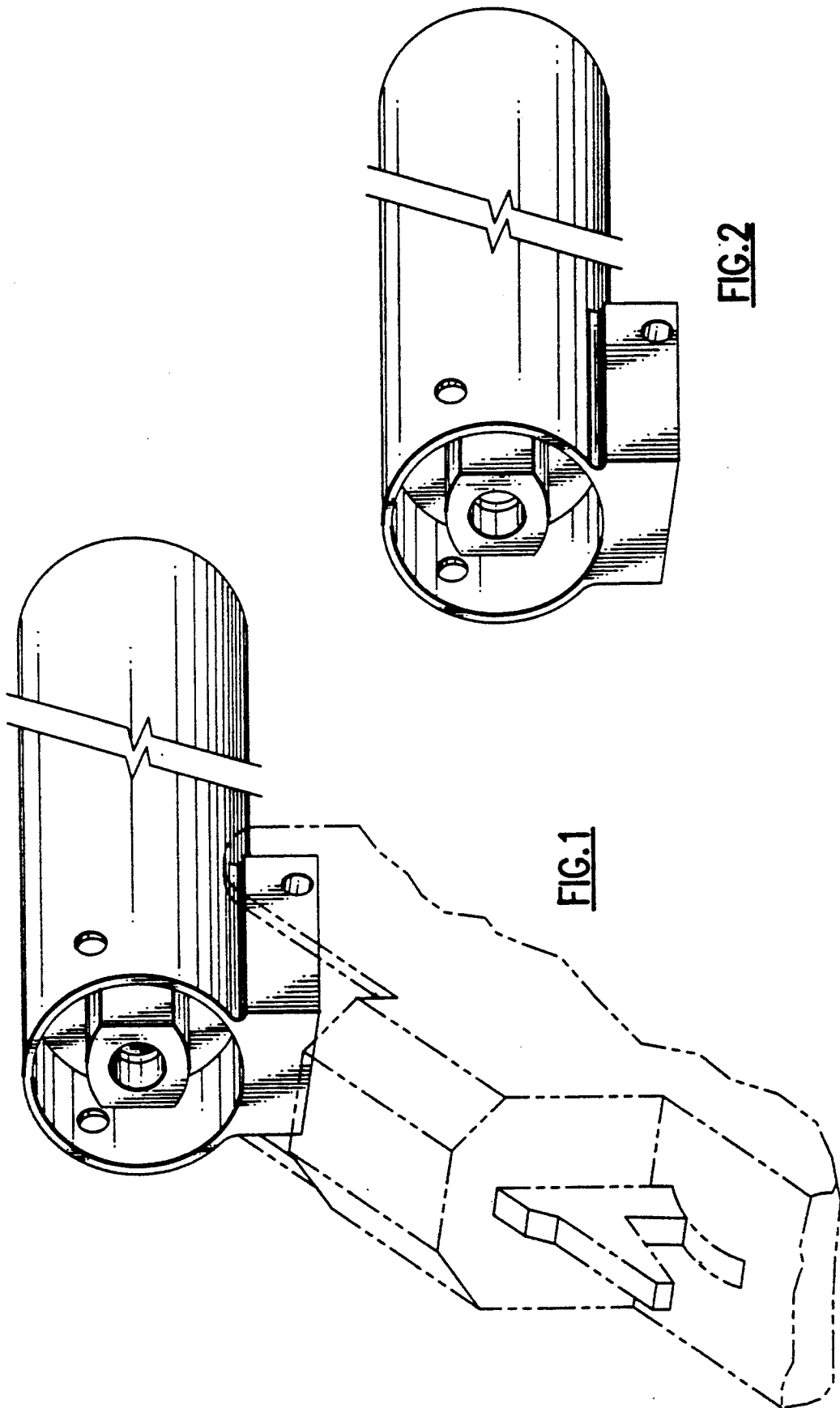
FIG. 13 is a rear elevational view of the first embodiment; and,

FIG. 14 is a rear elevational view of the second embodiment.

In FIGS. 1-9, 11 and 12, the body of claimed design has been broken away for the convenience of illustration.

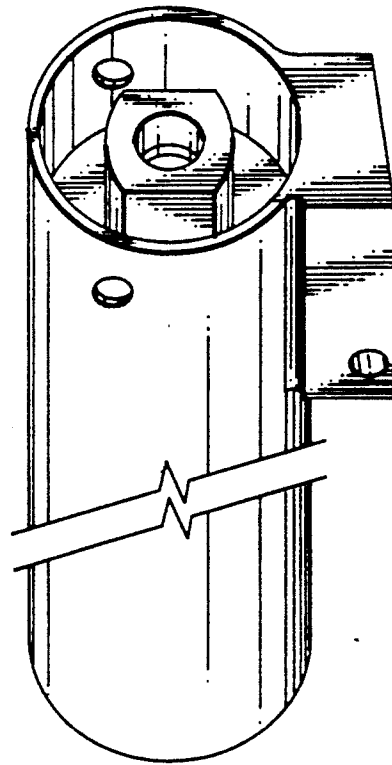
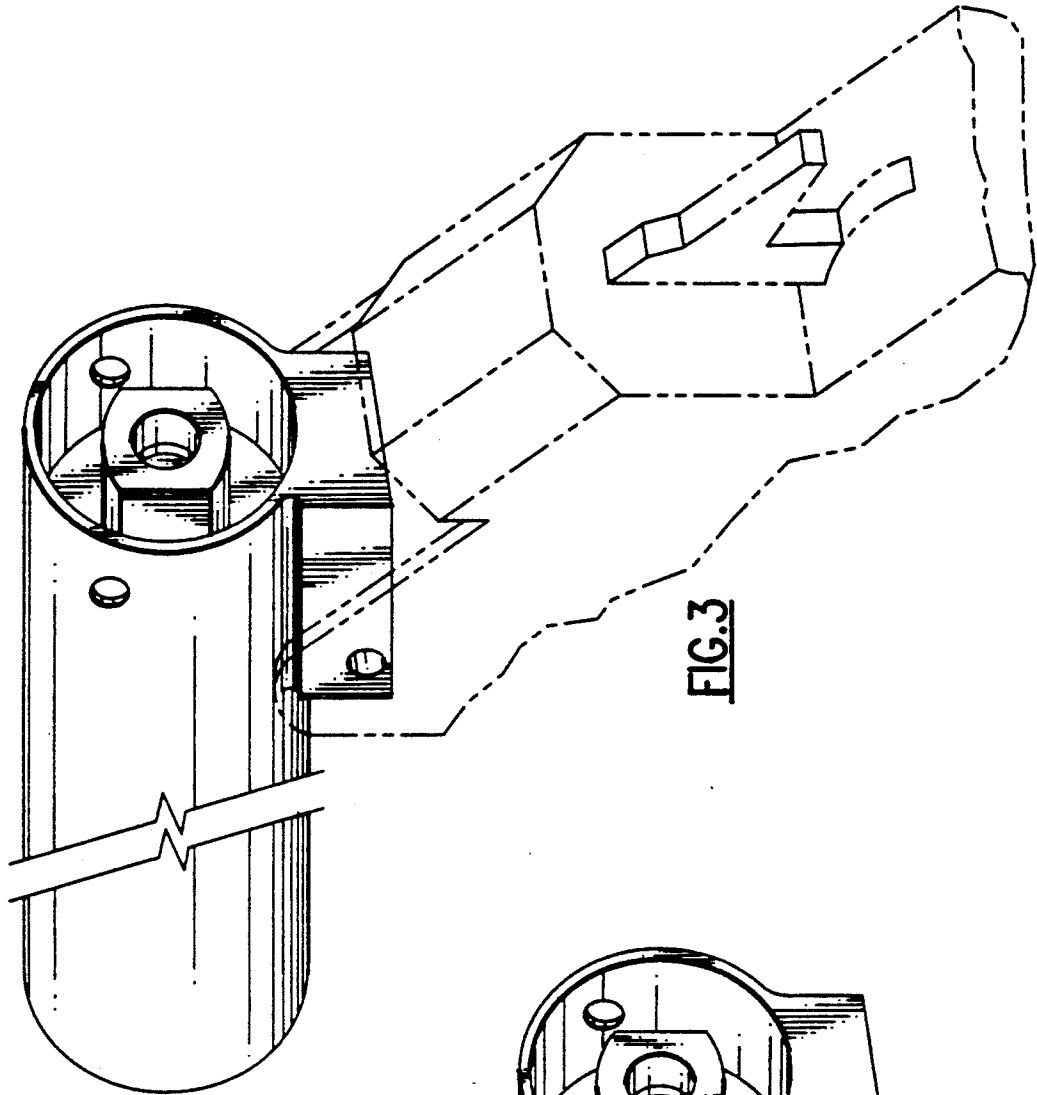
The broken line showing of environment in FIGS. 1, 3, 5 and 7 is for illustrative purposes only and forms no part of the claimed design.

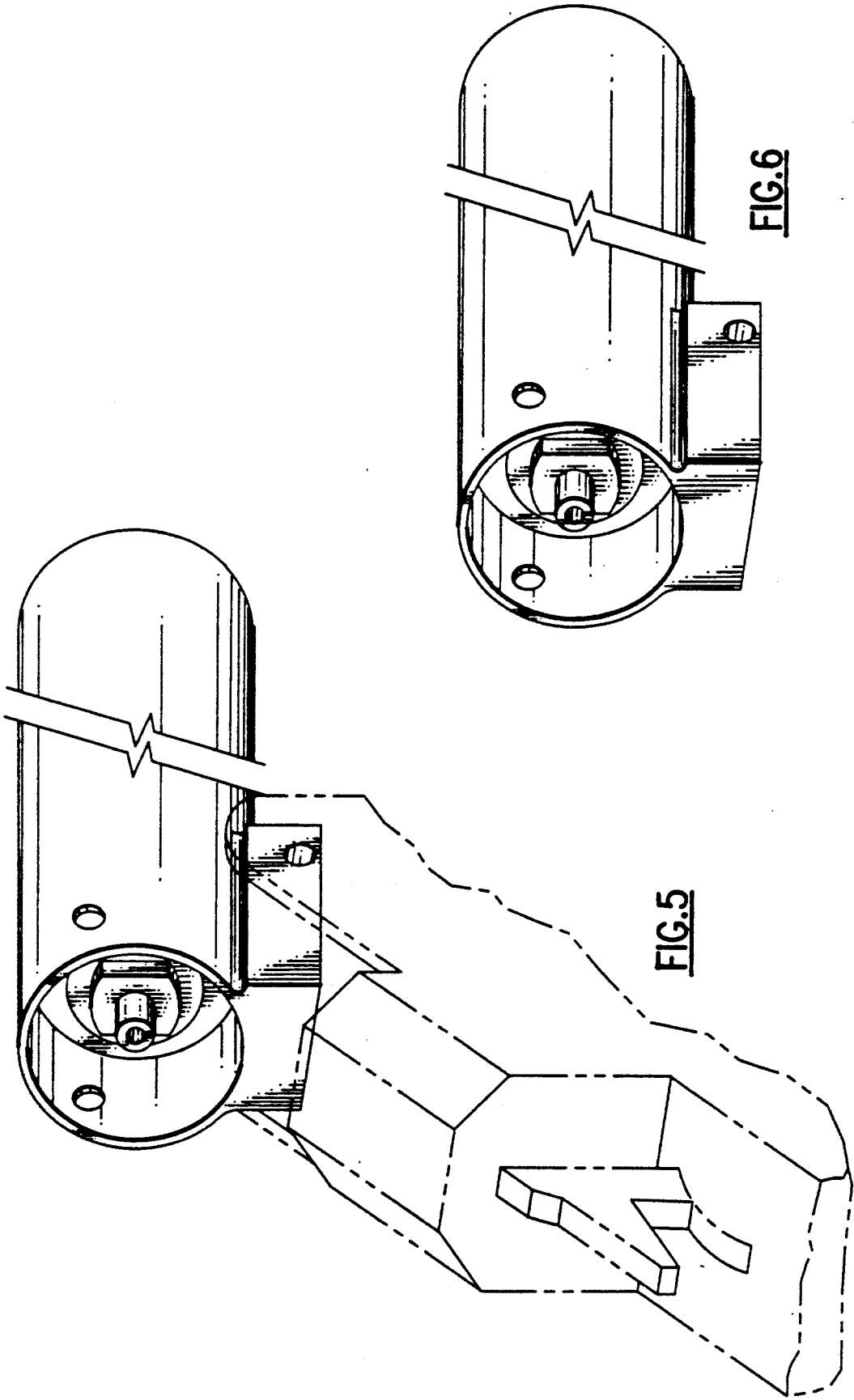


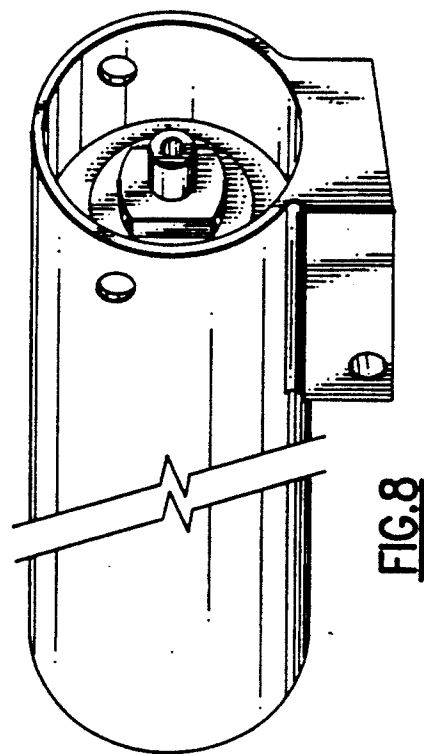
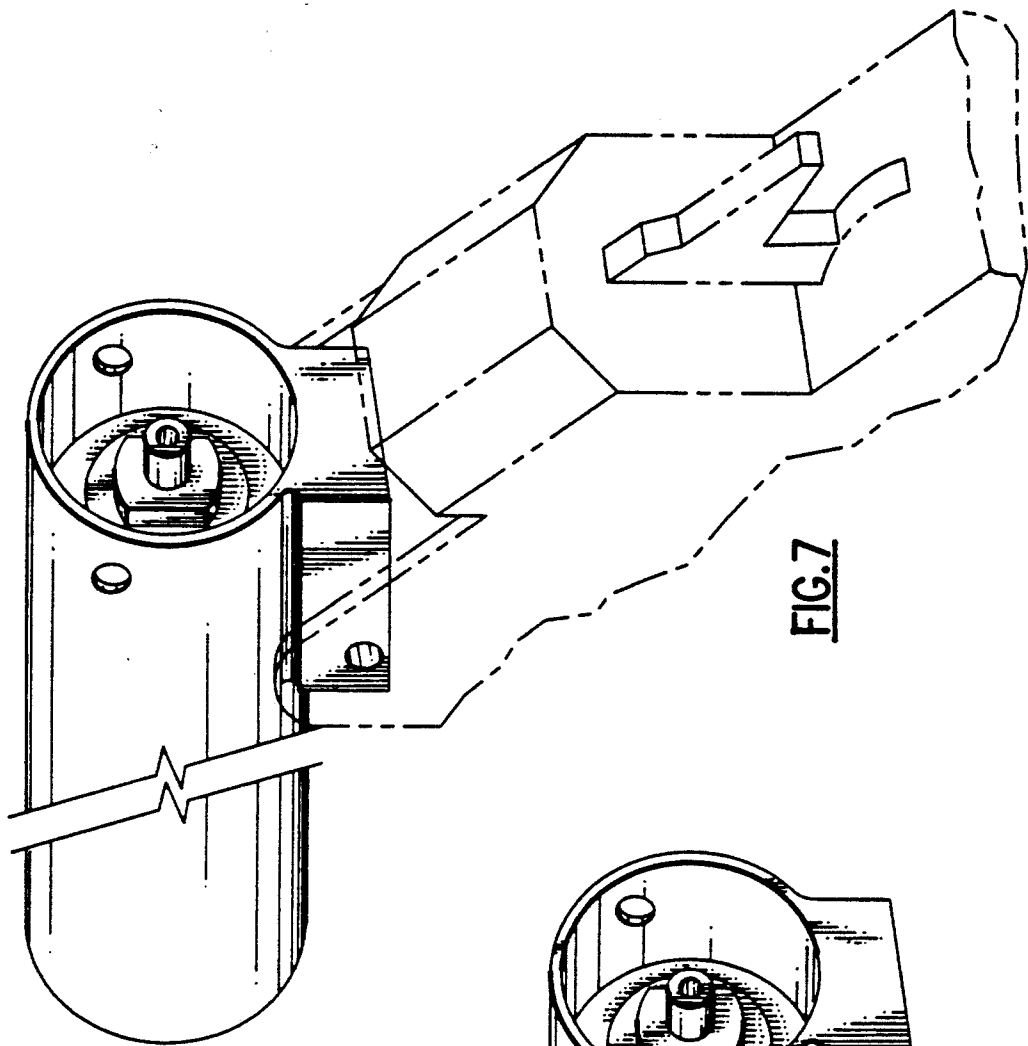


**FIG. 2**

**FIG. 1**







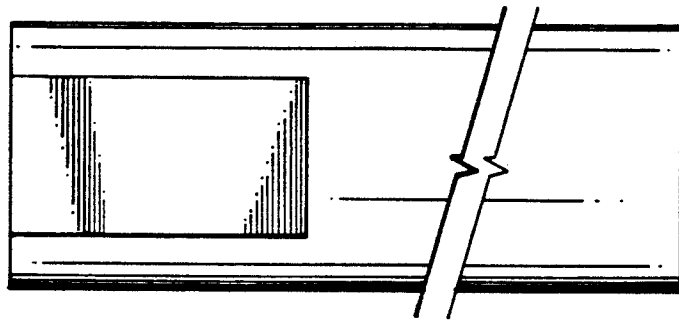


FIG. 9

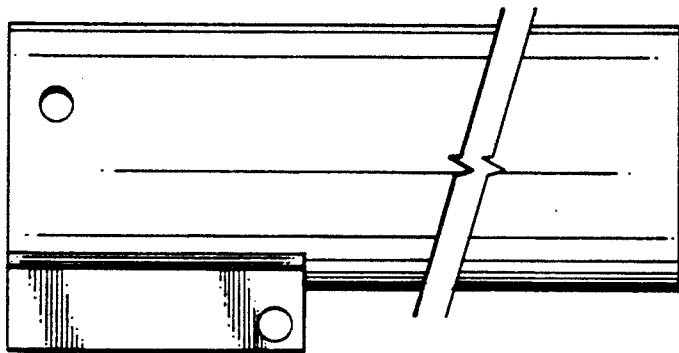


FIG. 11

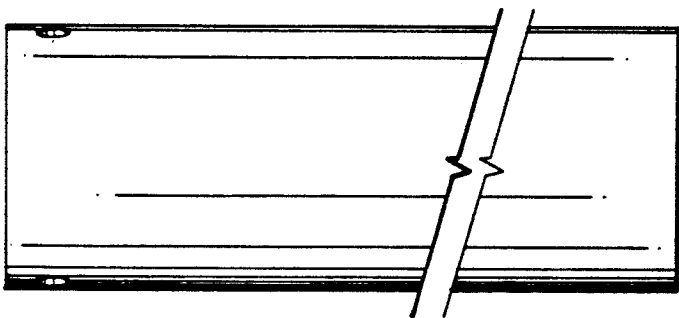


FIG. 12

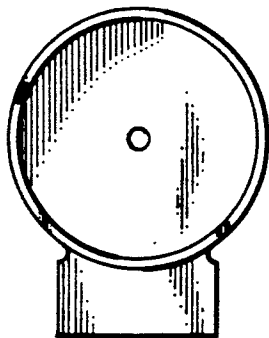


FIG. 10

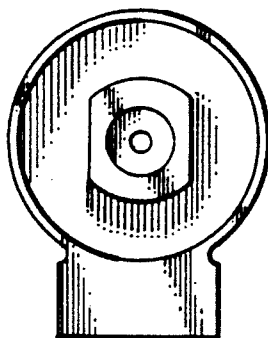


FIG. 13

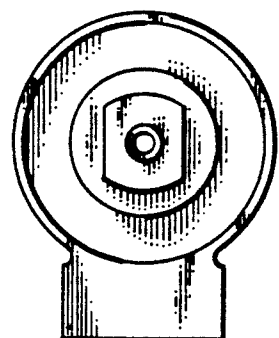


FIG. 14