



US00D828126S

(12) **United States Design Patent**  
**Skaliotis**

(10) **Patent No.:** **US D828,126 S**

(45) **Date of Patent:** **\*\* Sep. 11, 2018**

- (54) **DIGGING TOOL ATTACHMENT**
- (71) Applicant: **Nicholas Skaliotis**, Crawley (GB)
- (72) Inventor: **Nicholas Skaliotis**, Crawley (GB)
- (\*\*) Term: **15 Years**
- (21) Appl. No.: **35/501,001**
- (22) Filed: **Nov. 23, 2015**
- (80) **Hague Agreement Data**  
 Int. Filing Date: **Nov. 23, 2015**  
 Int. Reg. No.: **DM/088549**  
 Int. Reg. Date: **Nov. 23, 2015**  
 Int. Reg. Pub. Date: **May 27, 2016**
- (51) **LOC (11) Cl.** ..... **08-01**
- (52) **U.S. Cl.**  
 USPC ..... **D8/10**
- (58) **Field of Classification Search**  
 USPC ..... D8/1, 10, 13, 14, 71, 499, 5-7  
 CPC .. A01B 1/024; A01B 1/00; A01B 1/02; A01B 1/022; A01B 1/028; A01B 1/16; A01B 1/18; A01B 1/20; A01C 5/02; A01G 3/06  
 See application file for complete search history.

931,387 A *	8/1909	Conde .....	A01B 1/028
			254/131.5
958,188 A *	5/1910	Severson .....	A01B 1/024
			294/49
1,109,758 A *	9/1914	James .....	A01B 1/024
			294/60
1,331,495 A *	2/1920	Gibson .....	A01B 1/024
			294/60
1,658,963 A *	2/1928	Bergquist .....	A01B 1/024
			294/60
1,757,925 A *	5/1930	Kirkpatrick .....	A01C 5/02
			294/49
2,210,440 A *	8/1940	Avary .....	A01B 1/165
			111/99
2,629,985 A *	3/1943	McDowell .....	B25D 1/16
			144/195.5
2,419,015 A *	4/1947	Gascoigne .....	A01B 1/04
			254/131.5
2,439,524 A *	4/1948	Moore .....	A01B 1/165
			111/101
2,568,468 A *	9/1951	Smith .....	A01G 3/06
			172/16
D175,849 S *	10/1955	Moore, Jr. et al. ....	D8/1
3,506,296 A *	4/1970	Nelson .....	A01B 1/165
			111/101

(Continued)

Primary Examiner — Elizabeth A. Albert

(57) **CLAIM**

The ornamental design for a digging tool attachment, as shown and described.

(56) **References Cited**

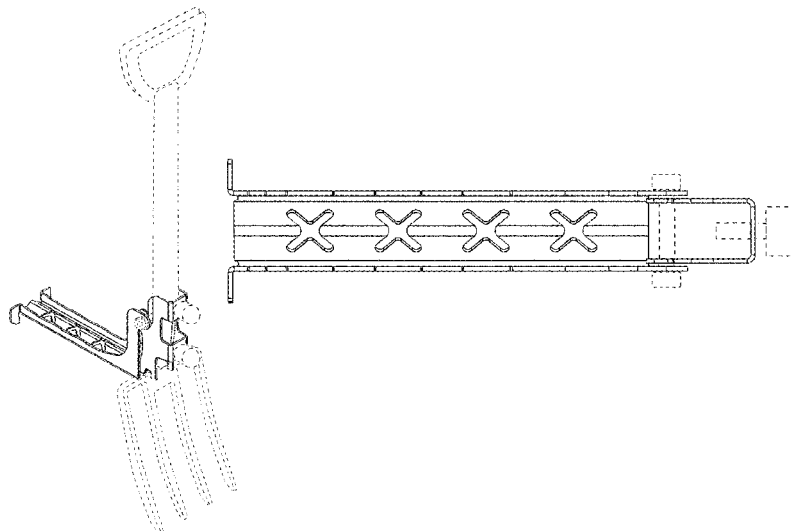
U.S. PATENT DOCUMENTS

493,110 A *	3/1893	Orthwein .....	A01B 1/024
			294/60
551,527 A *	12/1895	Cunningham .....	B05B 1/14
			111/7.1
648,804 A *	5/1900	Sheehan .....	A01B 1/028
			254/131.5
678,373 A *	7/1901	Blaser .....	A01G 3/06
			294/60
754,543 A *	3/1904	Christiansen .....	A01B 1/024
			294/60
910,274 A *	1/1909	Duprey .....	A01B 1/028
			254/131.5

**DESCRIPTION**

- 1. Digging tool attachment
- 1.1 : Perspective
- 1.2 : Front
- 1.3 : Back
- 1.4 : Left
- 1.5 : Right
- 1.6 : Top
- 1.7 : Bottom

**1 Claim, 7 Drawing Sheets**



# US D828,126 S

(56)

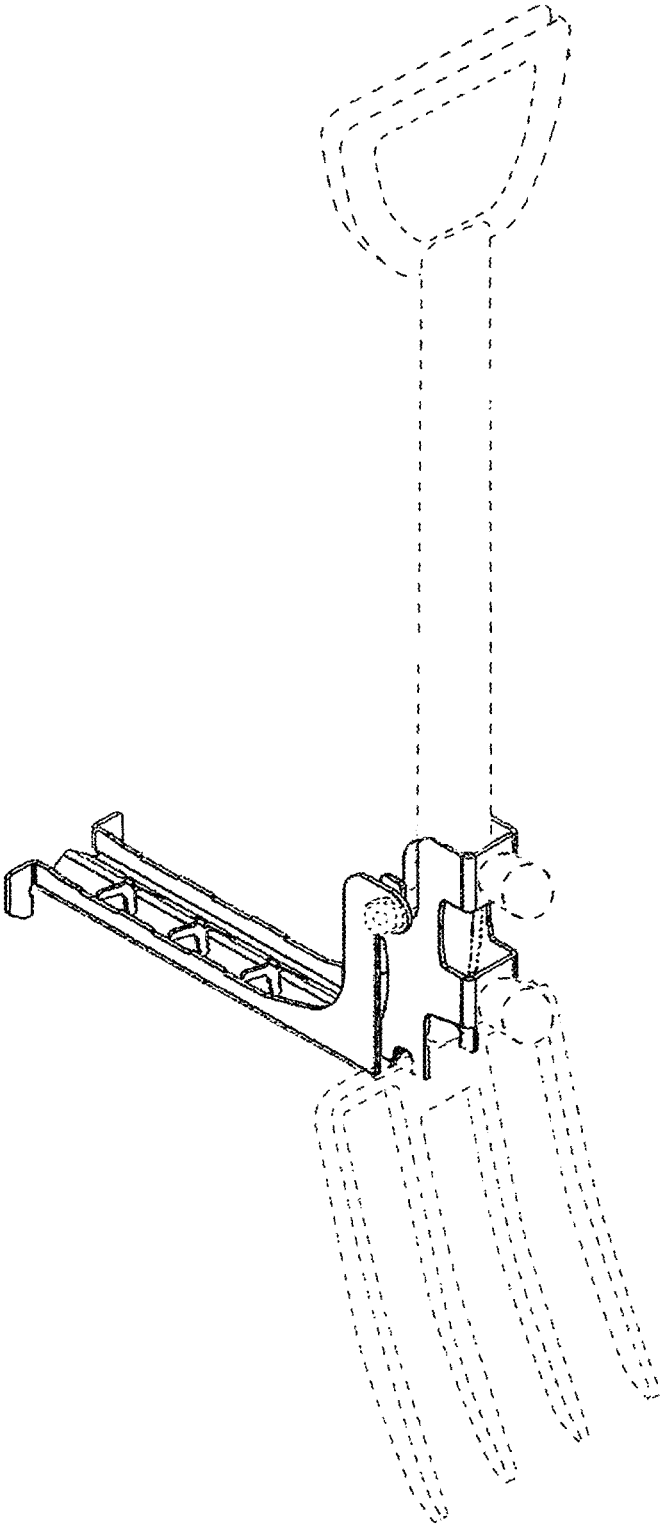
## References Cited

### U.S. PATENT DOCUMENTS

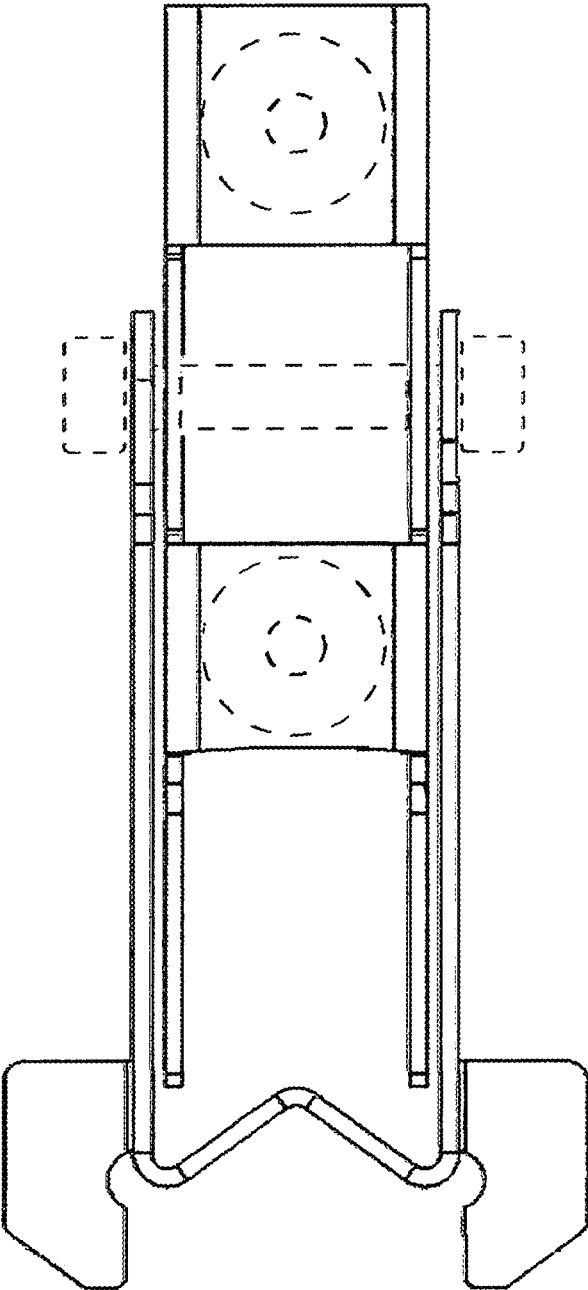
3,707,197	A *	12/1972	Walesch .....	E21B 25/00 111/99	5,234,241	A *	8/1993	Ikerd .....	A01B 1/18 294/115
3,838,739	A *	10/1974	Pollard .....	A01B 1/24 172/21	D347,980	S *	6/1994	Butch .....	D8/1
4,117,896	A *	10/1978	Weber .....	E21B 12/06 175/308	D350,676	S *	9/1994	Lefkow .....	D8/1
4,191,116	A *	3/1980	Allison, Jr. ....	A01C 5/02 111/106	D355,819	S *	2/1995	Price .....	D8/10
D269,844	S *	7/1983	Hackerson .....	111/99	5,398,624	A *	3/1995	Caron .....	A01B 1/165 111/106
4,461,458	A *	7/1984	Poulin .....	A01B 1/028 254/131.5	5,492,070	A *	2/1996	Lefkow .....	A01C 5/02 111/115
4,663,995	A *	5/1987	Amundson .....	B25B 27/00 254/131.5	5,503,445	A *	4/1996	Fontaine .....	A01B 1/024 294/60
4,715,634	A *	12/1987	Mueller .....	A01B 1/165 294/50.5	D423,889	S *	5/2000	Hefner .....	D8/1
4,722,512	A *	2/1988	Lighthizer .....	A01B 1/028 254/131.5	6,257,346	B1 *	7/2001	Schofield .....	A01B 1/18 172/381
4,790,392	A *	12/1988	Clements .....	B25D 1/16 173/128	6,283,223	B1 *	9/2001	Ayers .....	A01G 3/06 172/17
4,819,735	A *	4/1989	Puckett .....	A01B 1/243 172/72	6,330,921	B1 *	12/2001	Barber .....	A01B 1/165 172/22
4,823,937	A *	4/1989	Page .....	B65G 33/24 198/319	6,663,085	B1 *	12/2003	Dalon .....	B66F 15/00 254/131.5
4,932,339	A *	6/1990	List .....	A01C 5/02 111/106	D569,695	S *	5/2008	Zimmer .....	D8/1
5,080,027	A *	1/1992	Brothers .....	A01C 5/02 111/115	D618,972	S *	7/2010	Bushroe .....	D8/7
5,109,930	A *	5/1992	Napier .....	A01B 1/02 111/99	7,950,085	B2 *	5/2011	McGovern .....	A01B 1/022 294/57
					7,971,702	B2 *	7/2011	Johnsgaard .....	B65G 65/46 198/550.1
					9,204,587	B2 *	12/2015	Cordeiro .....	E01H 5/02
					D762,139	S *	7/2016	Wheelington .....	D11/130
					9,453,321	B2 *	9/2016	Hartman .....	E02D 7/04
					D782,889	S *	4/2017	Vera Andrades .....	D8/10

\* cited by examiner

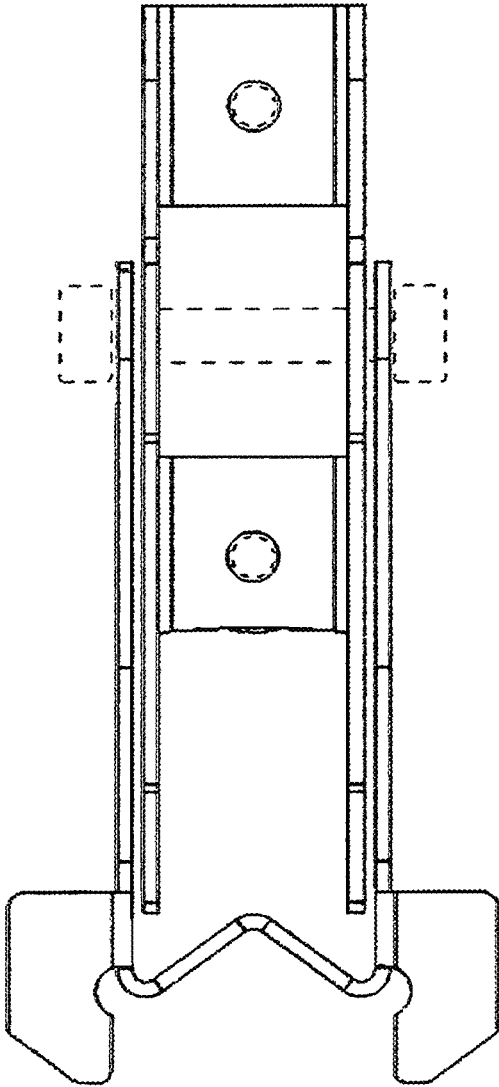
1.1

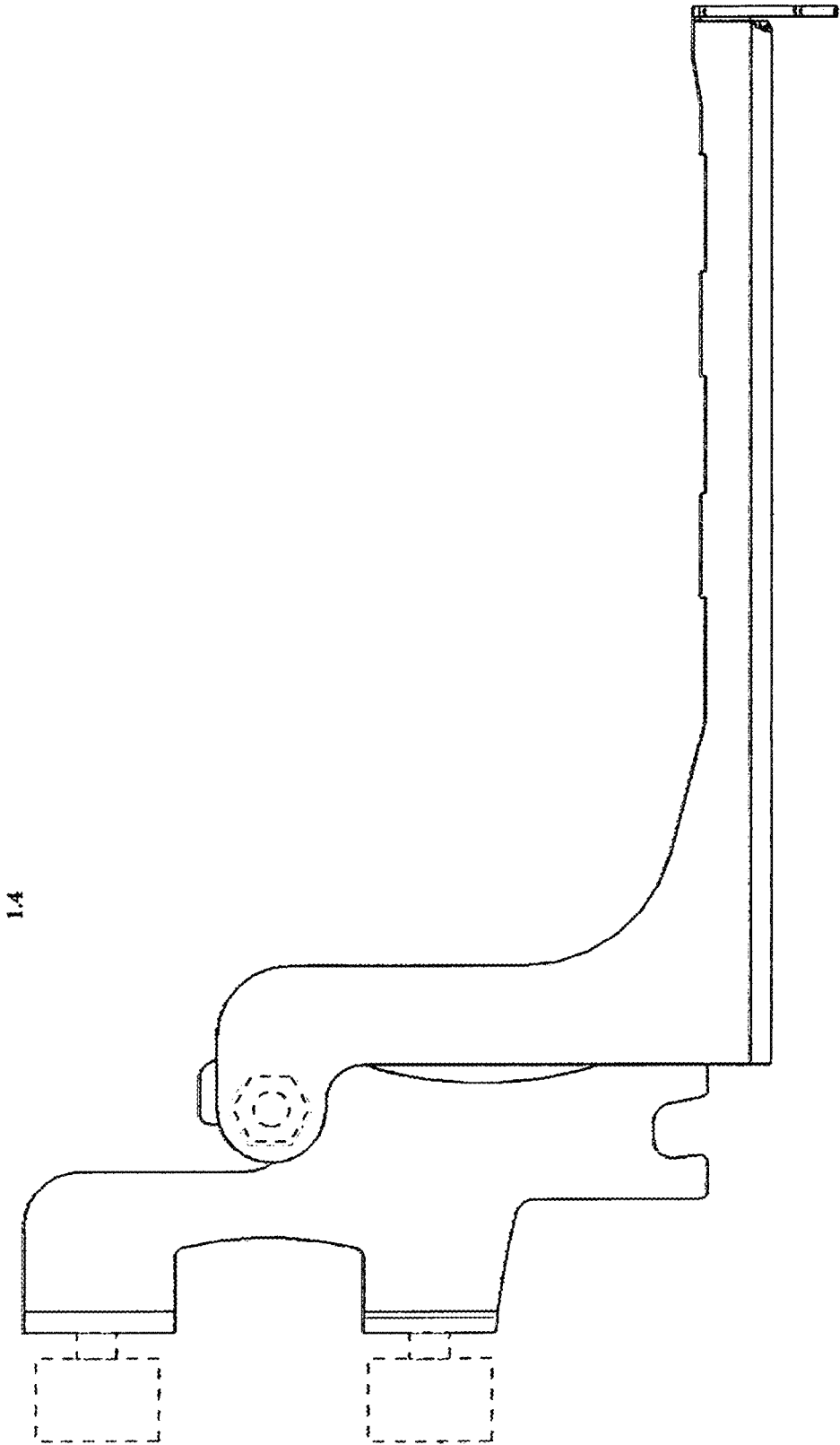


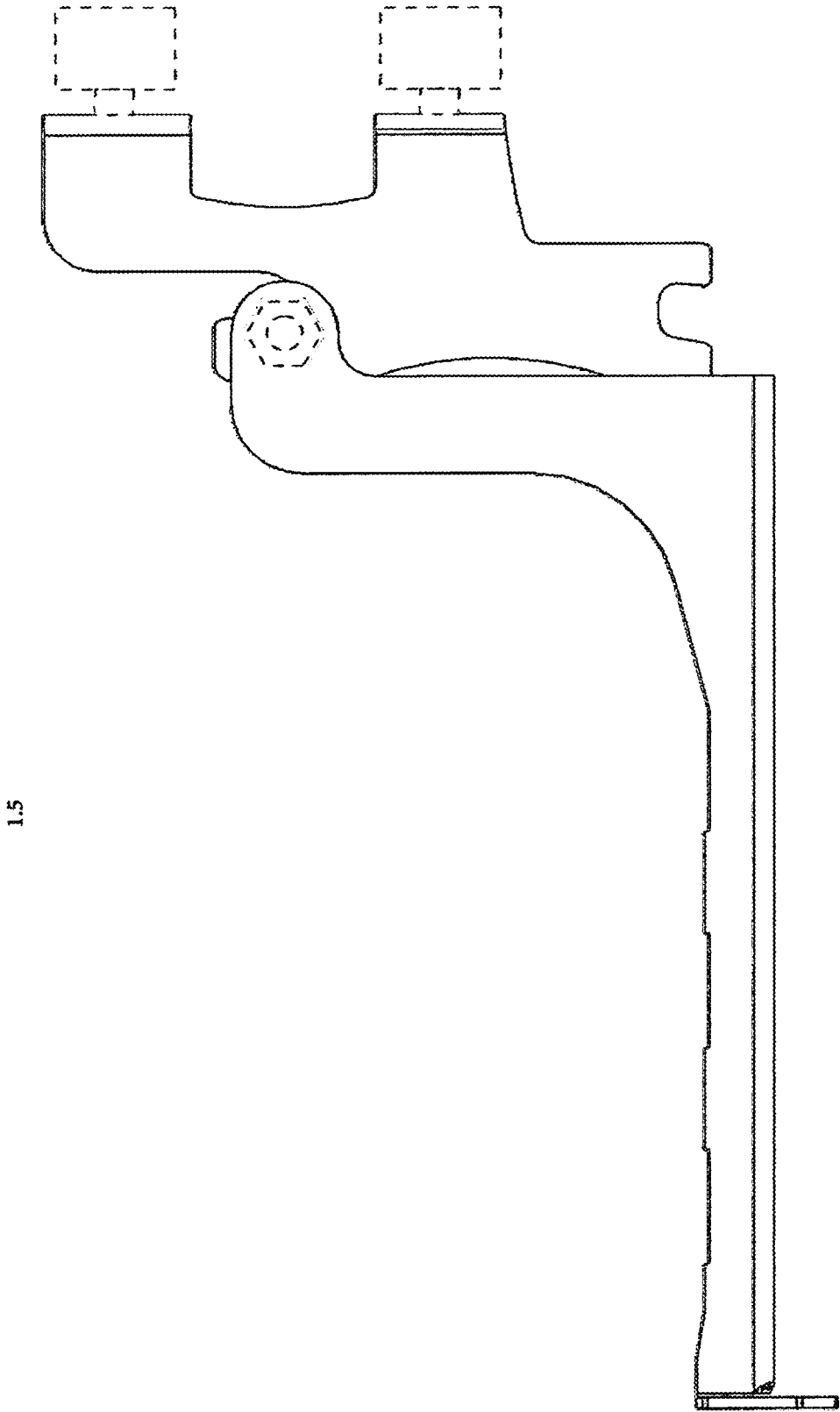
1.2



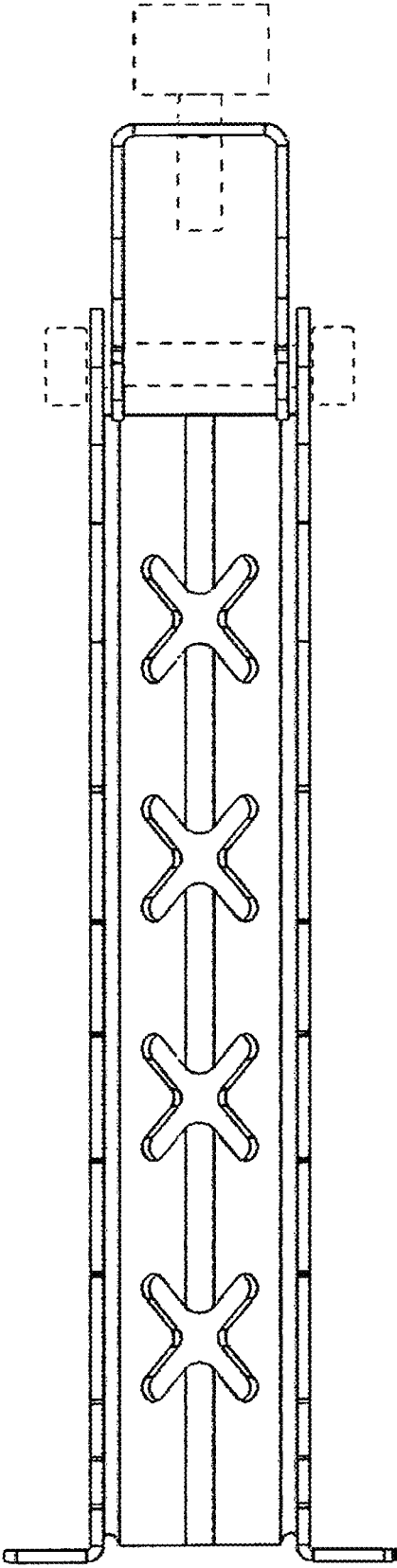
13

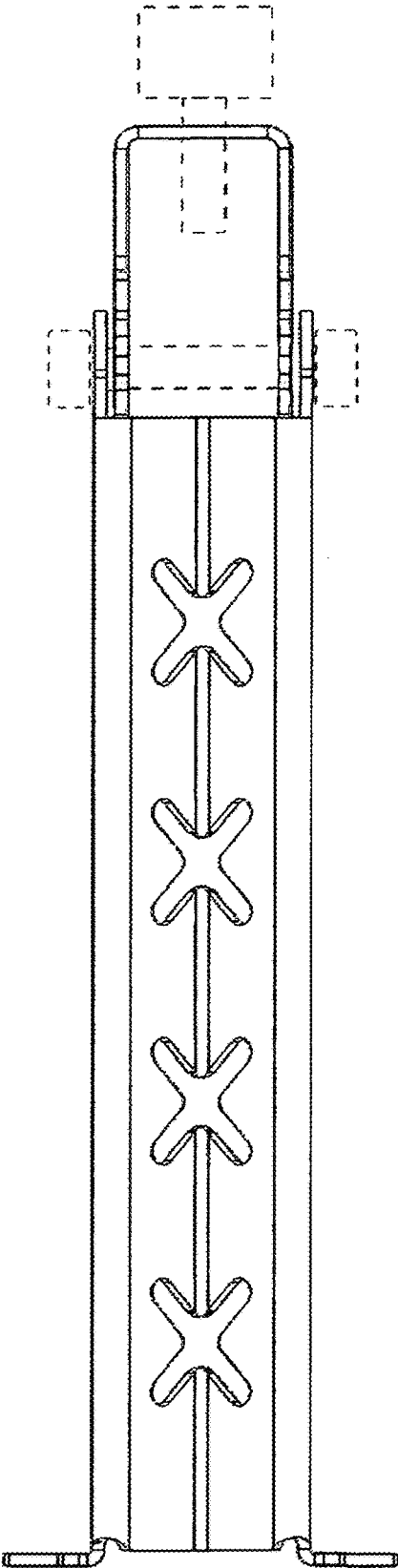






1.6





1.7